



**MOTO GUZZI®**

## CATALOGUS RESERVEONDERDELEN



### V7 III Racer 750 e4 2017 (APAC)

Voorvoegsel frame: ZGULDB00

Voorvoegsel motor:

## Inhoudsopgave

|   |    |
|---|----|
| Afgewerkte producten.....   | 4  |
| Alfanumerieke inhoudsopgave.....                                  | 5  |
| Frame.....  | 10 |
| Tafel 01.010 - Frame.....   | 10 |
| Tafel 01.020 - Voetensteunen.....                                 | 11 |
| Tafel 01.030 - Standaard.....                                     | 13 |
| Tafel 01.050 - Vork.....  | 14 |
| Carrosserie.....  | 15 |
| Tafel 02.030 - voorste spatbord-Punt.....                         | 15 |
| Tafel 02.050 - Kapje.....   | 16 |
| Tafel 02.100 - Carrosserie centr.....                             | 17 |
| Tafel 02.120 - Zadel.....   | 18 |
| Tafel 02.140 - Carrosserie acht.....                              | 19 |
| Tafel 02.150 - Achterste spatbord.....                            | 20 |
| Tafel 02.170 - Sloten.....  | 21 |
| Tafel 02.180 - Plaatjes.....                                      | 22 |
| Tafel 02.190 - Plaat.....   | 23 |
| Motor.....  | 24 |
| Tafel 03.010 - Motor-Completering.....                            | 24 |
| Tafel 03.020 - Gear lever.....                                    | 25 |
| Tafel 03.030 - Carters I.....                                     | 26 |
| Tafel 03.050 - Filterkast.....                                    | 27 |
| Tafel 03.060 - Vlinderromp.....                                   | 28 |
| Tafel 03.090 - Kopdeksel.....                                     | 29 |
| Tafel 03.100 - Kop - kleppen.....                                 | 30 |
| Tafel 03.120 - Timing system.....                                 | 31 |
| Tafel 03.150 - Cilinder-Zuiger.....                               | 32 |
| Tafel 03.160 - Drijfjas.....                                      | 33 |
| Tafel 03.170 - Versnellingsbak / Keuzeschakelaar / Shift cam..... | 34 |
| Tafel 03.180 - Versnellingsbak - Gear assembly.....               | 36 |
| Tafel 03.190 - Smering.....                                       | 38 |
| Tafel 03.196 - Blow-by system.....                                | 39 |
| Tafel 03.230 - Koppeling.....                                     | 40 |
| Tafel 03.270 - Vliegwieldeksel.....                               | 42 |
| Tafel 03.290 - Start / Electric start.....                        | 43 |
| Tafel 03.300 - Vliegwielmagneet / Ontsteking.....                 | 44 |
| Tafel 03.320 - Secundaire lucht.....                              | 45 |
| Tafel 03.330 - Uitlaat.....                                       | 46 |
| Tafel 03.340 - Transmissie acht.....                              | 48 |
| Tafel 03.350 - Achter transmissie / Components.....               | 49 |
| Suspensions.....  | 52 |
| Tafel 04.060 - Voorvork Kaifa.....                                | 52 |
| Tafel 04.080 - Schokdemper.....                                   | 53 |

---

|  |    |
|--|----|
| Wielen.....  | 54 |
| Tafel 05.010 - Voorwiel.....                         | 54 |
| Tafel 05.020 - Achterwiel.....                       | 55 |
| Reminstallatie .....                                 | 56 |
| Tafel 06.010 - Pomp voorrem.....                     | 56 |
| Tafel 06.020 - Tang van de voorrem.....              | 57 |
| Tafel 06.030 - Pomp van de achterrem.....            | 58 |
| Tafel 06.040 - Tang van de achterrem.....            | 59 |
| Tafel 06.050 - Reminstallatie ABS.....               | 60 |
| Stuur - Commando's.....                              | 61 |
| Tafel 07.010 - Stuur.....                            | 61 |
| Tafel 07.020 - Stuur - Commando's.....               | 62 |
| Tafel 07.030 - Commando van de koppeling.....        | 63 |
| Voorverlichting - Instrumenten.....                  | 64 |
| Tafel 08.010 - Voorverlichting.....                  | 64 |
| Tafel 08.020 - Instrumenten.....                     | 65 |
| Tafel 08.030 - Achterste verlichting.....            | 66 |
| Tank.....  | 67 |
| Tafel 09.010 - Benzinetank.....                      | 67 |
| Tafel 09.020 - Installatie recup. benzinedampen..... | 68 |
| Elektr. mechanismen.....                             | 69 |
| Tafel 11.010 - Elektr. inst. voor.....               | 69 |
| Tafel 11.020 - Elektr. inst. cent.....               | 70 |
| Tafel 11.030 - Elektr. inst. acht.....               | 71 |

## Afgewerkte producten

| Code           | Geldigheid |
|----------------|------------|
| GU9032119AUH01 |            |
| GU9032119JPH01 |            |
| GU9032119ZCH01 |            |

| Code        | N.Tafel | Pos. | Code       | N.Tafel | Pos. | Code      | N.Tafel | Pos. |
|-------------|---------|------|------------|---------|------|-----------|---------|------|
| 006630      | 03.270  | 8    | 1A0066690N | 03.160  | 8    | 2A000579  | 03.120  | 5    |
| 00H02402282 | 02.150  | 11   | 1A0066690V | 03.160  | 8    | 2A000591  | 03.170  | 37   |
| 00H02402282 | 06.050  | 11   | 1A006716   | 03.090  | 4    | 2A000597  | 03.320  | 3    |
| 013763      | 03.190  | 14   | 1A006860   | 03.030  | 19   | 2A000608  | 03.060  | 8    |
| 013763      | 08.020  | 2    | 1A006861   | 03.120  | 16   | 2A000609  | 03.060  | 3    |
| 080341      | 11.020  | 19   | 1A0068695  | 03.100  | 10   | 2A000612  | 03.060  | 7    |
| 197551      | 02.050  | 5    | 1A0068705  | 03.100  | 11   | 2A000620  | 03.090  | 6    |
| 1A000360    | 03.180  | 7    | 1A0068960B | 03.160  | 2    | 2A000625  | 03.180  | 5    |
| 1A000365    | 03.180  | 16   | 1A0068960G | 03.160  | 2    | 2A000627  | 03.180  | 13   |
| 1A000366    | 03.180  | 22   | 1A0068960R | 03.160  | 2    | 2A000629  | 03.180  | 30   |
| 1A000367    | 03.180  | 27   | 1A0069335  | 03.030  | 21   | 2A000631  | 03.230  | 21   |
| 1A000368    | 03.180  | 28   | 1A007008   | 03.190  | 22   | 2A000633  | 03.190  | 5    |
| 1A000369    | 03.180  | 29   | 1A007070   | 03.150  | 2    | 2A000638  | 03.230  | 30   |
| 1A000370    | 03.180  | 25   | 1A0073175  | 03.010  | 1    | 2A000659  | 03.090  | 2    |
| 1A000436    | 03.180  | 10   | 1A008576   | 03.120  | 25   | 2A000724  | 03.230  | 4    |
| 1A000566    | 03.180  | 4    | 1A008627   | 03.230  | 12   | 2A000741  | 03.230  | 31   |
| 1A002604    | 03.180  | 24   | 1A0090945  | 03.150  | 1    | 2A0007425 | 03.170  | 19   |
| 1A002604    | 03.180  | 9    | 1C001499   | 01.030  | 9    | 2A0007505 | 03.170  | 6    |
| 1A003444    | 11.020  | 14   | 1C001499   | 05.020  | 19   | 2A000770  | 03.230  | 28   |
| 1A003452    | 03.100  | 5    | 1C001499   | 11.010  | 4    | 2A000774  | 03.230  | 6    |
| 1A004442    | 03.190  | 15   | 1D001393   | 03.060  | 2    | 2A000790  | 03.230  | 7    |
| 1A004530    | 03.030  | 10   | 1D001450   | 09.010  | 7    | 2A000823  | 03.350  | 10   |
| 1A004549    | 03.190  | 11   | 1D001549   | 11.010  | 7    | 2A0008365 | 03.170  | 1    |
| 1A004550    | 03.030  | 1    | 237553     | 03.190  | 12   | 2A000838  | 03.230  | 23   |
| 1A004750    | 03.100  | 8    | 248419     | 02.100  | 12   | 2A0009085 | 03.170  | 19   |
| 1A004751    | 03.100  | 4    | 248419     | 06.030  | 27   | 2A0009105 | 03.170  | 6    |
| 1A004752    | 03.100  | 6    | 248419     | 11.010  | 5    | 2B000219  | 09.020  | 11   |
| 1A004903    | 03.120  | 13   | 254485     | 02.150  | 7    | 2B000221  | 11.010  | 3    |
| 1A004905    | 03.120  | 12   | 254485     | 03.330  | 16   | 2B000225  | 05.020  | 22   |
| 1A004907    | 03.120  | 14   | 270793     | 08.020  | 12   | 2B000276  | 06.050  | 22   |
| 1A004956    | 03.150  | 5    | 285536     | 03.170  | 3    | 2B000508  | 06.030  | 2    |
| 1A005199    | 03.190  | 3    | 285536     | 03.190  | 24   | 2B000525  | 06.040  | 1    |
| 1A005211    | 03.030  | 2    | 292022     | 08.010  | 3    | 2B000909  | 09.010  | 9    |
| 1A005257    | 03.190  | 13   | 292723     | 08.010  | 2    | 2B000909  | 09.010  | 9    |
| 1A005325AA  | 03.160  | 6    | 2A000097   | 03.170  | 41   | 2B001009  | 03.020  | 8    |
| 1A005325BB  | 03.160  | 6    | 2A000115   | 03.300  | 5    | 2B001035  | 01.010  | 3    |
| 1A005382    | 11.020  | 5    | 2A000129   | 03.300  | 4    | 2B001088  | 01.030  | 2    |
| 1A005424    | 03.100  | 2    | 2A000203   | 03.180  | 20   | 2B001182  | 08.010  | 17   |
| 1A005425    | 03.100  | 9    | 2A000216   | 03.230  | 8    | 2B001197  | 06.020  | 1    |
| 1A005712    | 03.120  | 1    | 2A000219   | 03.170  | 12   | 2B001231  | 08.010  | 16   |
| 1A0057145   | 03.120  | 24   | 2A000222   | 03.170  | 38   | 2B001258  | 06.050  | 2    |
| 1A005951    | 03.120  | 7    | 2A000224   | 03.170  | 20   | 2B001556  | 06.050  | 4    |
| 1A005955    | 03.120  | 19   | 2A000225   | 03.170  | 23   | 2B001558  | 06.050  | 3    |
| 1A006047    | 03.030  | 4    | 2A000226   | 03.170  | 21   | 2B001561  | 05.010  | 22   |
| 1A006053    | 03.190  | 27   | 2A000227   | 03.170  | 22   | 2B001564  | 06.050  | 14   |
| 1A006119    | 03.120  | 22   | 2A000241   | 03.170  | 27   | 2B001570  | 06.050  | 8    |
| 1A006127    | 03.120  | 23   | 2A000241   | 03.170  | 28   | 2B001591  | 04.060  | 14   |
| 1A006243    | 03.120  | 21   | 2A000241   | 03.180  | 32   | 2B001597  | 06.030  | 16   |
| 1A006283    | 03.030  | 17   | 2A000306   | 03.170  | 27   | 2B001612  | 01.010  | 13   |
| 1A006284    | 03.030  | 18   | 2A000339   | 03.090  | 3    | 2B001614  | 06.050  | 15   |
| 1A006298    | 03.270  | 4    | 2A0003535  | 03.120  | 6    | 2B001620  | 06.050  | 5    |
| 1A006541    | 03.100  | 1    | 2A000375   | 03.230  | 14   | 2B001708  | 05.010  | 21   |
| 1A006542    | 03.100  | 1    | 2A000376   | 03.230  | 16   | 2B001748  | 08.030  | 6    |
| 1A006543    | 03.100  | 1    | 2A000378   | 03.230  | 32   | 2B001780  | 06.030  | 23   |
| 1A0065490G  | 03.150  | 7    | 2A000382   | 03.350  | 22   | 2B001783  | 02.150  | 3    |
| 1A0065490H  | 03.150  | 7    | 2A000384   | 03.230  | 18   | 2B001823  | 03.060  | 12   |
| 1A0065490L  | 03.150  | 7    | 2A000385   | 03.230  | 19   | 2B001930  | 06.010  | 4    |
| 1A0065490M  | 03.150  | 7    | 2A000415   | 03.170  | 24   | 2B001935  | 03.330  | 31   |
| 1A006600AA  | 03.160  | 7    | 2A000418   | 03.230  | 29   | 2B001941  | 03.020  | 9    |
| 1A006600BB  | 03.160  | 7    | 2A000419   | 03.230  | 1    | 2B002130  | 06.030  | 24   |
| 1A006655    | 03.030  | 8    | 2A000438   | 03.170  | 43   | 2B002171  | 01.020  | 27   |
| 1A006656    | 03.030  | 7    | 2A000467   | 03.170  | 15   | 2B002187  | 03.330  | 11   |
| 1A006659    | 03.100  | 12   | 2A000496   | 03.120  | 4    | 2B002194  | 04.080  | 4    |
| 1A0066680G  | 03.160  | 3    | 2A000521   | 03.120  | 9    | 2B002195  | 04.080  | 6    |
| 1A0066680N  | 03.160  | 3    | 2A000527   | 03.120  | 27   | 2B002195  | 07.020  | 9    |
| 1A0066680V  | 03.160  | 3    | 2A000528   | 03.120  | 8    | 2B002311  | 01.010  | 7    |
| 1A0066690G  | 03.160  | 8    | 2A000565   | 03.090  | 1    | 2B002313  | 07.010  | 13   |

| Code      | N.Tafel | Pos. | Code           | N.Tafel | Pos. | Code     | N.Tafel | Pos. |
|-----------|---------|------|----------------|---------|------|----------|---------|------|
| 2B002318  | 03.350  | 21   | 2B003828       | 02.100  | 2    | 2H001846 | 02.190  | 6    |
| 2B002319  | 03.350  | 21   | 2B003832       | 08.010  | 13   | 2H001852 | 02.190  | 4    |
| 2B002320  | 03.350  | 21   | 2B003833       | 07.010  | 17   | 2H001853 | 02.190  | 2    |
| 2B002390  | 07.030  | 2    | 2B003838       | 01.010  | 1    | 2H001854 | 02.190  | 3    |
| 2B002391  | 07.030  | 1    | 2B003840       | 01.010  | 17   | 2Q000282 | 02.180  | 1    |
| 2B002424  | 03.350  | 21   | 2B003841       | 01.010  | 15   | 2Q000316 | 02.180  | 1    |
| 2B002425  | 03.350  | 21   | 2B003851       | 08.020  | 4    | 2Q000318 | 02.180  | 1    |
| 2B002426  | 03.350  | 21   | 2B003872       | 01.020  | 14   | 2R000109 | 04.060  | 7    |
| 2B002486  | 09.010  | 6    | 2B0039195      | 07.010  | 3    | 2R000110 | 04.060  | 23   |
| 2B002529  | 03.320  | 7    | 2B003929       | 07.030  | 8    | 2R000243 | 04.060  | 19   |
| 2B002530  | 03.320  | 9    | 2B003930       | 03.330  | 1    | 2R000248 | 06.040  | 8    |
| 2B002531  | 03.320  | 8    | 2B003931       | 03.330  | 2    | 2S000856 | 09.010  | 10   |
| 2B002567  | 09.010  | 8    | 2B0039325      | 03.330  | 6    | 319446   | 07.010  | 16   |
| 2B002602  | 03.196  | 4    | 2B0039345      | 03.330  | 5    | 478533   | 11.020  | 11   |
| 2B002621  | 02.100  | 3    | 2B0039375      | 05.010  | 1    | 484993   | 03.030  | 20   |
| 2B002622  | 02.100  | 4    | 2B0039395      | 05.020  | 1    | 584211   | 11.030  | 4    |
| 2B002632  | 09.020  | 1    | 2B003941       | 01.050  | 9    | 584332   | 08.010  | 6    |
| 2B002781  | 11.030  | 8    | 2B003942       | 02.050  | 1    | 584332   | 08.030  | 4    |
| 2B002810  | 01.010  | 16   | 2B003943       | 02.050  | 3    | 584344   | 03.330  | 4    |
| 2B002817  | 01.010  | 18   | 2B003944       | 02.050  | 2    | 638733   | 11.030  | 9    |
| 2B002832  | 03.050  | 2    | 2B003945000C1  | 02.120  | 1    | 639338   | 08.010  | 7    |
| 2B002851  | 03.050  | 5    | 2B003946000C1  | 09.010  | 12   | 639338   | 08.030  | 5    |
| 2B002901  | 11.020  | 12   | 2B003948       | 04.060  | 3    | 641040   | 11.020  | 8    |
| 2B002937  | 02.100  | 10   | 2B003952       | 04.060  | 2    | 641901   | 11.020  | 15   |
| 2B002943  | 02.100  | 5    | 2B003994       | 02.170  | 4    | 642034   | 11.020  | 16   |
| 2B002959  | 03.050  | 14   | 2B0039954      | 02.170  | 3    | 643090   | 03.190  | 16   |
| 2B003039  | 06.010  | 5    | 2B004009       | 02.170  | 5    | 658837   | 03.030  | 5    |
| 2B003040  | 06.010  | 3    | 2B004014       | 03.350  | 19   | 658837   | 06.030  | 21   |
| 2B003042  | 09.020  | 3    | 2B004031       | 03.330  | 14   | 680212   | 11.020  | 9    |
| 2B003052  | 11.020  | 13   | 2B004068       | 04.060  | 26   | 825694   | 03.100  | 13   |
| 2B003056  | 06.050  | 13   | 2B004084       | 07.010  | 19   | 826165   | 03.190  | 23   |
| 2B003105  | 03.196  | 3    | 2B004085       | 07.010  | 18   | 831135   | 03.030  | 11   |
| 2B0031495 | 03.330  | 20   | 2B004088       | 02.150  | 13   | 832029   | 11.010  | 10   |
| 2B0031505 | 03.330  | 19   | 2B004115       | 01.020  | 21   | 834764   | 03.170  | 33   |
| 2B003151  | 03.330  | 22   | 2B004116       | 01.020  | 25   | 840370   | 03.330  | 17   |
| 2B003152  | 03.330  | 21   | 2B004117       | 01.020  | 24   | 843213   | 02.100  | 9    |
| 2B003204  | 03.196  | 2    | 2B004122       | 01.020  | 26   | 848650   | 03.180  | 17   |
| 2B003251  | 04.060  | 1    | 2B004139       | 01.020  | 28   | 849308   | 03.180  | 21   |
| 2B003292  | 07.010  | 15   | 2B004140       | 01.020  | 29   | 849308   | 03.180  | 6    |
| 2B003306  | 02.180  | 2    | 2B004209       | 01.020  | 22   | 849309   | 03.180  | 23   |
| 2B003320  | 01.030  | 1    | 2B004226       | 08.020  | 6    | 849310   | 03.180  | 26   |
| 2B003338  | 06.040  | 3    | 2B004269       | 04.080  | 3    | 849396   | 03.180  | 14   |
| 2B003342  | 08.010  | 11   | 2B004458       | 06.050  | 28   | 849424   | 03.180  | 8    |
| 2B003367  | 08.020  | 3    | 2B004471       | 06.050  | 23   | 852090   | 03.330  | 7    |
| 2B003435  | 09.010  | 1    | 2D000024       | 03.300  | 1    | 854973   | 06.030  | 1    |
| 2B0034845 | 03.340  | 1    | 2D000102       | 06.050  | 1    | 856063   | 09.020  | 7    |
| 2B0034855 | 03.350  | 16   | 2D000225       | 08.010  | 1    | 856796   | 03.020  | 12   |
| 2B003486  | 03.350  | 28   | 2D000261       | 08.010  | 4    | 857045   | 03.320  | 2    |
| 2B003493  | 02.170  | 1    | 2D000262       | 08.010  | 5    | 857046   | 03.320  | 5    |
| 2B003514  | 04.060  | 25   | 2D0002885      | 07.030  | 9    | 857047   | 03.320  | 1    |
| 2B003515  | 02.030  | 2    | 2D0002935      | 08.030  | 1    | 857181   | 03.320  | 10   |
| 2B003543  | 06.010  | 1    | 2D000294       | 08.020  | 10   | 857206   | 03.300  | 3    |
| 2B0035515 | 03.330  | 12   | 2D000295       | 08.020  | 11   | 857250   | 03.170  | 29   |
| 2B0035515 | 03.330  | 30   | 2D000307       | 07.020  | 10   | 859792   | 05.010  | 20   |
| 2B003631  | 08.020  | 8    | 2D000308       | 07.020  | 6    | 859792   | 05.020  | 24   |
| 2B003643  | 03.330  | 15   | 2D000334       | 11.010  | 1    | 860651   | 03.340  | 9    |
| 2B003701  | 05.010  | 2    | 2D000334       | 11.020  | 1    | 871640   | 03.100  | 7    |
| 2B0037025 | 05.020  | 2    | 2D000334       | 11.030  | 1    | 873905   | 03.170  | 26   |
| 2B003711  | 08.020  | 9    | 2D000351       | 02.170  | 2    | 873928   | 03.180  | 2    |
| 2B003750  | 04.080  | 1    | 2D000355       | 11.020  | 21   | 874567   | 03.150  | 4    |
| 2B003766  | 07.020  | 12   | 2D000368       | 08.030  | 2    | 876879   | 03.330  | 13   |
| 2B003767  | 07.020  | 11   | 2D000369       | 08.030  | 3    | 880260   | 03.060  | 4    |
| 2B003791  | 07.010  | 1    | 2H001260       | 02.190  | 1    | 883161   | 11.030  | 5    |
| 2B003809  | 02.170  | 11   | 2H001644000XN6 | 02.030  | 1    | 883349   | 05.020  | 8    |
| 2B003821  | 06.010  | 2    | 2H0018415      | 09.010  | 1    | 883350   | 05.020  | 7    |
| 2B003822  | 06.010  | 6    | 2H001842000XN6 | 02.140  | 1    | 883673   | 06.020  | 6    |
| 2B003827  | 02.100  | 1    | 2H001845       | 02.190  | 5    | 883688   | 05.010  | 10   |

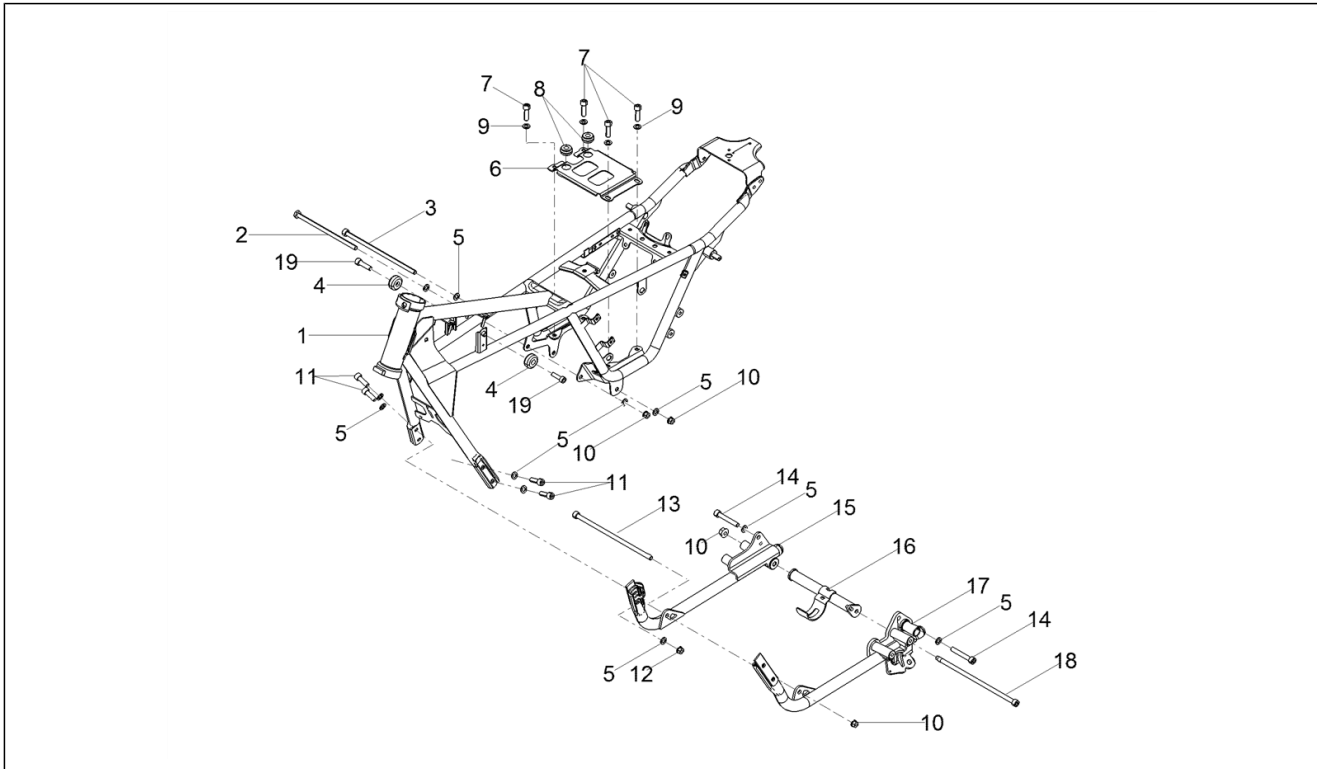
| Code   | N.Tafel | Pos. | Code        | N.Tafel | Pos. | Code      | N.Tafel | Pos. |
|--------|---------|------|-------------|---------|------|-----------|---------|------|
| 883826 | 03.030  | 13   | 976591      | 03.090  | 5    | AP8150026 | 03.020  | 16   |
| 886365 | 03.030  | 15   | 976608      | 03.350  | 1    | AP8150044 | 03.020  | 14   |
| 886629 | 03.230  | 11   | 976614      | 02.100  | 6    | AP8150044 | 06.030  | 11   |
| 886634 | 02.030  | 1    | 97729R      | 03.290  | 1    | AP8150048 | 01.010  | 14   |
| 886665 | 03.020  | 13   | 978415      | 02.170  | 7    | AP8150051 | 06.030  | 17   |
| 886665 | 06.030  | 9    | 978946      | 02.150  | 1    | AP8150053 | 08.010  | 15   |
| 886666 | 06.030  | 18   | 97894600XN6 | 02.150  | 1    | AP8150137 | 03.020  | 4    |
| 886679 | 05.010  | 23   | 978947      | 02.150  | 2    | AP8150178 | 05.010  | 17   |
| 886680 | 05.020  | 23   | 978949      | 08.030  | 16   | AP8150207 | 01.020  | 11   |
| 886712 | 02.140  | 3    | AP8101594   | 06.030  | 7    | AP8150285 | 04.060  | 6    |
| 886713 | 02.140  | 2    | AP8101861   | 01.020  | 16   | AP8150430 | 02.050  | 4    |
| 886820 | 02.170  | 12   | AP8101928   | 01.020  | 6    | AP8150451 | 06.030  | 19   |
| 887003 | 03.270  | 5    | AP8102159   | 09.020  | 6    | AP8150451 | 06.050  | 19   |
| 887093 | 03.190  | 18   | AP8102239   | 09.020  | 4    | AP8150462 | 03.020  | 7    |
| 887280 | 03.020  | 17   | AP8102386   | 06.050  | 26   | AP8150462 | 06.030  | 8    |
| 887421 | 11.020  | 20   | AP8102520   | 03.050  | 15   | AP8150500 | 02.100  | 11   |
| 887448 | 05.020  | 12   | AP8102520   | 09.020  | 9    | AP8150500 | 03.060  | 6    |
| 887481 | 11.020  | 7    | AP8102524   | 01.030  | 5    | AP8150500 | 06.050  | 27   |
| 887762 | 05.010  | 11   | AP8102738   | 09.020  | 2    | AP8150509 | 03.050  | 10   |
| 887762 | 05.020  | 13   | AP8104509   | 07.020  | 8    | AP8150543 | 07.010  | 2    |
| 887815 | 03.050  | 8    | AP8104525   | 03.050  | 4    | AP8152043 | 06.010  | 8    |
| 887831 | 07.010  | 9    | AP8104924   | 03.050  | 7    | AP8152043 | 06.050  | 16   |
| 887832 | 07.010  | 12   | AP8110053   | 03.020  | 11   | AP8152055 | 03.330  | 28   |
| 887843 | 03.050  | 9    | AP8110077   | 07.010  | 7    | AP8152117 | 08.020  | 5    |
| 887844 | 03.050  | 12   | AP8113003   | 06.050  | 7    | AP8152220 | 03.190  | 20   |
| 887875 | 05.010  | 19   | AP8113004   | 06.050  | 6    | AP8152229 | 02.170  | 8    |
| 887878 | 04.060  | 4    | AP8120001   | 02.100  | 13   | AP8152239 | 06.050  | 24   |
| 887879 | 04.060  | 5    | AP8120001   | 06.050  | 25   | AP8152267 | 03.090  | 7    |
| 887882 | 04.060  | 8    | AP8120001   | 11.030  | 11   | AP8152268 | 08.030  | 12   |
| 887883 | 04.060  | 9    | AP8120030   | 06.050  | 10   | AP8152272 | 03.120  | 10   |
| 887884 | 04.060  | 10   | AP8120246   | 03.340  | 12   | AP8152273 | 02.140  | 4    |
| 887885 | 04.060  | 11   | AP8120311   | 01.010  | 8    | AP8152278 | 02.150  | 12   |
| 887886 | 04.060  | 12   | AP8120455   | 03.050  | 3    | AP8152288 | 06.040  | 5    |
| 887888 | 04.060  | 13   | AP8120557   | 09.010  | 4    | AP8152288 | 09.010  | 2    |
| 887889 | 04.060  | 15   | AP8120573   | 01.020  | 23   | AP8152298 | 06.030  | 25   |
| 887890 | 04.060  | 17   | AP8120615   | 03.050  | 6    | AP8152298 | 08.030  | 11   |
| 887891 | 04.060  | 16   | AP8120876   | 03.050  | 11   | AP8152299 | 02.150  | 8    |
| 887893 | 04.060  | 20   | AP8120912   | 03.020  | 2    | AP8152299 | 08.010  | 12   |
| 887894 | 04.060  | 22   | AP8120912   | 06.030  | 10   | AP8152299 | 11.020  | 6    |
| 887905 | 04.060  | 18   | AP8121014   | 01.030  | 3    | AP8152306 | 08.030  | 14   |
| 887916 | 04.060  | 21   | AP8121032   | 02.150  | 6    | AP8152320 | 01.020  | 8    |
| 887971 | 02.190  | 7    | AP8121072   | 03.330  | 25   | AP8152329 | 03.050  | 1    |
| 890760 | 03.050  | 13   | AP8121133   | 01.020  | 15   | AP8152329 | 08.030  | 17   |
| 890760 | 07.010  | 14   | AP8121332   | 09.010  | 5    | AP8152339 | 02.140  | 5    |
| 894704 | 11.030  | 15   | AP8121346   | 07.010  | 4    | AP8152384 | 07.010  | 5    |
| 895709 | 06.050  | 18   | AP8121420   | 02.170  | 6    | AP8152385 | 06.020  | 2    |
| 896110 | 03.330  | 3    | AP8121882   | 06.050  | 21   | AP8161054 | 03.050  | 16   |
| 896174 | 02.100  | 8    | AP8121927   | 06.030  | 14   | AP8181140 | 11.030  | 13   |
| 897478 | 03.300  | 2    | AP8121929   | 02.140  | 6    | AP8210007 | 03.020  | 18   |
| 898268 | 03.270  | 6    | AP8123641   | 07.010  | 6    | AP8213028 | 07.030  | 5    |
| 898269 | 03.270  | 7    | AP8123642   | 07.010  | 10   | AP8213388 | 07.030  | 6    |
| 898280 | 02.140  | 1    | AP8123643   | 07.010  | 11   | AP8220238 | 02.120  | 3    |
| 898281 | 01.020  | 1    | AP8123644   | 07.010  | 8    | AP8221023 | 03.050  | 18   |
| 898282 | 03.020  | 1    | AP8124936   | 08.020  | 7    | AP8221023 | 06.050  | 9    |
| 898283 | 03.020  | 3    | AP8124936   | 11.010  | 6    | AP8221197 | 01.030  | 4    |
| 898284 | 01.020  | 9    | AP8127601   | 09.020  | 10   | AP8221277 | 01.020  | 2    |
| 898284 | 03.020  | 9    | AP8127856   | 01.030  | 7    | AP8221277 | 03.020  | 10   |
| 898285 | 06.030  | 13   | AP8134378   | 01.020  | 18   | AP8224164 | 08.030  | 13   |
| 898286 | 06.030  | 15   | AP8134378   | 03.330  | 24   | AP8224462 | 11.020  | 4    |
| 898287 | 06.030  | 22   | AP8134378   | 08.010  | 10   | AP8702101 | 02.170  | 10   |
| 898288 | 01.020  | 10   | AP8134448   | 08.030  | 15   | AP9100477 | 01.020  | 7    |
| 898611 | 01.020  | 12   | AP8134451   | 01.020  | 13   | AP9100477 | 03.020  | 15   |
| 898612 | 01.020  | 4    | AP8134640   | 06.030  | 5    | AP9100477 | 06.030  | 12   |
| 967356 | 01.030  | 6    | AP8144071   | 01.020  | 19   | B013037   | 03.230  | 15   |
| 967363 | 03.330  | 27   | AP8144071   | 03.330  | 26   | B013608   | 03.170  | 25   |
| 974162 | 03.180  | 12   | AP8144552   | 11.030  | 3    | B013608   | 03.180  | 3    |
| 974165 | 03.180  | 15   | AP8150015   | 06.050  | 12   | B015040   | 03.180  | 11   |

| Code       | N.Tafel | Pos. | Code       | N.Tafel | Pos. | Code       | N.Tafel | Pos. |
|------------|---------|------|------------|---------|------|------------|---------|------|
| B015598    | 03.170  | 2    | GU12154200 | 03.190  | 2    | GU19355413 | 03.350  | 21   |
| B016796    | 03.060  | 5    | GU14085900 | 03.230  | 25   | GU19356700 | 03.350  | 30   |
| B017406    | 03.170  | 5    | GU14086100 | 03.230  | 17   | GU19356760 | 03.230  | 13   |
| B017636    | 03.100  | 3    | GU14217901 | 02.050  | 7    | GU19357660 | 03.350  | 25   |
| B018020    | 03.170  | 4    | GU14217901 | 03.230  | 5    | GU19547000 | 01.050  | 1    |
| B018448    | 03.180  | 31   | GU14609650 | 11.010  | 9    | GU20147710 | 03.190  | 21   |
| B043850    | 11.030  | 16   | GU14609650 | 11.020  | 3    | GU20258221 | 03.020  | 6    |
| B063025    | 03.170  | 39   | GU14609650 | 11.030  | 17   | GU20352421 | 03.350  | 31   |
| B063077    | 05.010  | 5    | GU14615901 | 02.030  | 3    | GU20355121 | 03.350  | 34   |
| B063078    | 05.020  | 11   | GU14615901 | 03.230  | 3    | GU23328081 | 03.340  | 10   |
| B063144    | 05.010  | 3    | GU14615901 | 03.330  | 9    | GU23442210 | 01.020  | 3    |
| B063247    | 07.020  | 5    | GU14615901 | 03.340  | 8    | GU23548080 | 03.340  | 11   |
| B063248    | 07.020  | 4    | GU14615901 | 09.010  | 3    | GU23548180 | 03.340  | 6    |
| B063269    | 03.170  | 40   | GU14616150 | 05.010  | 15   | GU27061885 | 03.160  | 4    |
| B063287    | 01.010  | 6    | GU14616150 | 05.020  | 10   | GU27066460 | 03.160  | 5    |
| B063292    | 03.330  | 10   | GU18144350 | 03.190  | 8    | GU27152885 | 03.190  | 1    |
| B063317    | 07.020  | 2    | GU18257551 | 06.030  | 20   | GU27633910 | 05.020  | 4    |
| B063326    | 07.020  | 1    | GU19002020 | 03.170  | 36   | GU28612033 | 05.020  | 18   |
| B063466    | 03.150  | 6    | GU19002020 | 03.270  | 3    | GU30601060 | 07.030  | 3    |
| B063956    | 03.170  | 14   | GU19003800 | 03.030  | 3    | GU30602500 | 07.030  | 4    |
| B064112    | 03.170  | 10   | GU19015020 | 03.030  | 14   | GU30630430 | 05.020  | 20   |
| B064113    | 03.170  | 7    | GU19018920 | 03.030  | 9    | GU31003766 | 03.030  | 22   |
| CM013202   | 11.030  | 14   | GU19018920 | 03.190  | 28   | GU31003766 | 03.350  | 8    |
| CM017710   | 09.010  | 11   | GU19021360 | 03.150  | 3    | GU31150950 | 03.190  | 10   |
| CM178609   | 08.020  | 1    | GU19045861 | 03.120  | 3    | GU31159050 | 03.190  | 6    |
| CM179008   | 09.020  | 5    | GU19055700 | 03.120  | 2    | GU31327783 | 03.340  | 2    |
| CM179302   | 11.030  | 6    | GU19058021 | 03.120  | 20   | GU31439565 | 02.030  | 5    |
| CM225705   | 11.030  | 18   | GU19058220 | 03.120  | 11   | GU31544181 | 01.050  | 5    |
| CM225715   | 11.030  | 19   | GU19062261 | 03.160  | 1    | GU31547882 | 01.050  | 2    |
| CM225720   | 11.030  | 2    | GU19065400 | 03.160  | 9    | GU31610160 | 05.010  | 24   |
| CM225730   | 11.030  | 20   | GU19067700 | 03.230  | 2    | GU31614183 | 05.010  | 9    |
| CM226902   | 03.196  | 1    | GU19327601 | 03.340  | 3    | GU31615283 | 05.010  | 6    |
| CM226902   | 03.320  | 6    | GU19328801 | 03.340  | 5    | GU31616384 | 05.010  | 12   |
| CM228402   | 01.020  | 20   | GU19351100 | 03.350  | 4    | GU31634281 | 06.040  | 4    |
| CM258301   | 03.060  | 11   | GU19351900 | 03.350  | 2    | GU31634481 | 05.020  | 15   |
| CM258301   | 03.060  | 13   | GU19352300 | 03.350  | 23   | GU31659181 | 06.040  | 7    |
| CM258303   | 03.050  | 17   | GU19353500 | 03.350  | 24   | GU31659281 | 06.040  | 6    |
| CM275405   | 03.060  | 1    | GU19355200 | 03.350  | 35   | GU32350410 | 03.350  | 13   |
| CM277101   | 11.020  | 17   | GU19355202 | 03.350  | 36   | GU32354610 | 03.350  | 18   |
| CM277102   | 11.020  | 18   | GU19355300 | 03.350  | 33   | GU32461610 | 02.120  | 2    |
| GU01528930 | 03.170  | 44   | GU19355301 | 03.350  | 33   | GU32555210 | 04.080  | 5    |
| GU01528930 | 03.350  | 9    | GU19355302 | 03.350  | 33   | GU32555211 | 04.080  | 2    |
| GU01577830 | 02.100  | 7    | GU19355303 | 03.350  | 33   | GU32603010 | 07.020  | 13   |
| GU01659130 | 06.020  | 5    | GU19355304 | 03.350  | 33   | GU32603310 | 07.020  | 7    |
| GU01659131 | 06.020  | 4    | GU19355305 | 03.350  | 33   | GU32615660 | 05.010  | 14   |
| GU01665410 | 06.030  | 6    | GU19355306 | 03.350  | 33   | GU32632510 | 05.020  | 17   |
| GU03013800 | 03.060  | 10   | GU19355307 | 03.350  | 33   | GU32633360 | 05.020  | 14   |
| GU03612040 | 05.010  | 16   | GU19355308 | 03.350  | 33   | GU32633560 | 03.350  | 11   |
| GU03631250 | 05.010  | 4    | GU19355309 | 03.350  | 33   | GU32634160 | 06.040  | 2    |
| GU03631250 | 05.020  | 9    | GU19355320 | 03.350  | 27   | GU32636160 | 05.020  | 21   |
| GU03658201 | 06.050  | 20   | GU19355321 | 03.350  | 27   | GU32753410 | 08.010  | 14   |
| GU03658330 | 06.050  | 17   | GU19355322 | 03.350  | 27   | GU32753410 | 08.030  | 18   |
| GU03749845 | 06.010  | 7    | GU19355323 | 03.350  | 27   | GU35214300 | 01.050  | 4    |
| GU05217630 | 03.230  | 26   | GU19355324 | 03.350  | 27   | GU49609601 | 11.020  | 2    |
| GU05234230 | 03.170  | 9    | GU19355325 | 03.350  | 27   | GU61270300 | 03.350  | 26   |
| GU05234631 | 03.170  | 31   | GU19355326 | 03.350  | 27   | GU66103415 | 01.010  | 4    |
| GU05235531 | 03.170  | 30   | GU19355327 | 03.350  | 27   | GU66478610 | 02.050  | 6    |
| GU05238231 | 03.170  | 13   | GU19355328 | 03.350  | 27   | GU90271014 | 03.170  | 17   |
| GU05238431 | 03.170  | 11   | GU19355329 | 03.350  | 27   | GU90271022 | 03.170  | 32   |
| GU05239330 | 03.170  | 16   | GU19355400 | 03.350  | 21   | GU90272023 | 03.340  | 13   |
| GU05659230 | 06.020  | 3    | GU19355402 | 03.350  | 21   | GU90353014 | 03.170  | 8    |
| GU05781630 | 04.060  | 24   | GU19355404 | 03.350  | 21   | GU90353029 | 03.120  | 17   |
| GU06418600 | 11.030  | 10   | GU19355406 | 03.350  | 21   | GU90353030 | 03.350  | 17   |
| GU10034100 | 03.120  | 15   | GU19355408 | 03.350  | 21   | GU90401424 | 03.170  | 18   |
| GU10528900 | 03.030  | 23   | GU19355410 | 03.350  | 21   | GU90402538 | 05.020  | 6    |
| GU12022600 | 03.170  | 35   | GU19355411 | 03.350  | 21   | GU90402642 | 05.010  | 8    |
| GU12022600 | 03.350  | 6    | GU19355412 | 03.350  | 21   | GU90403251 | 03.350  | 38   |



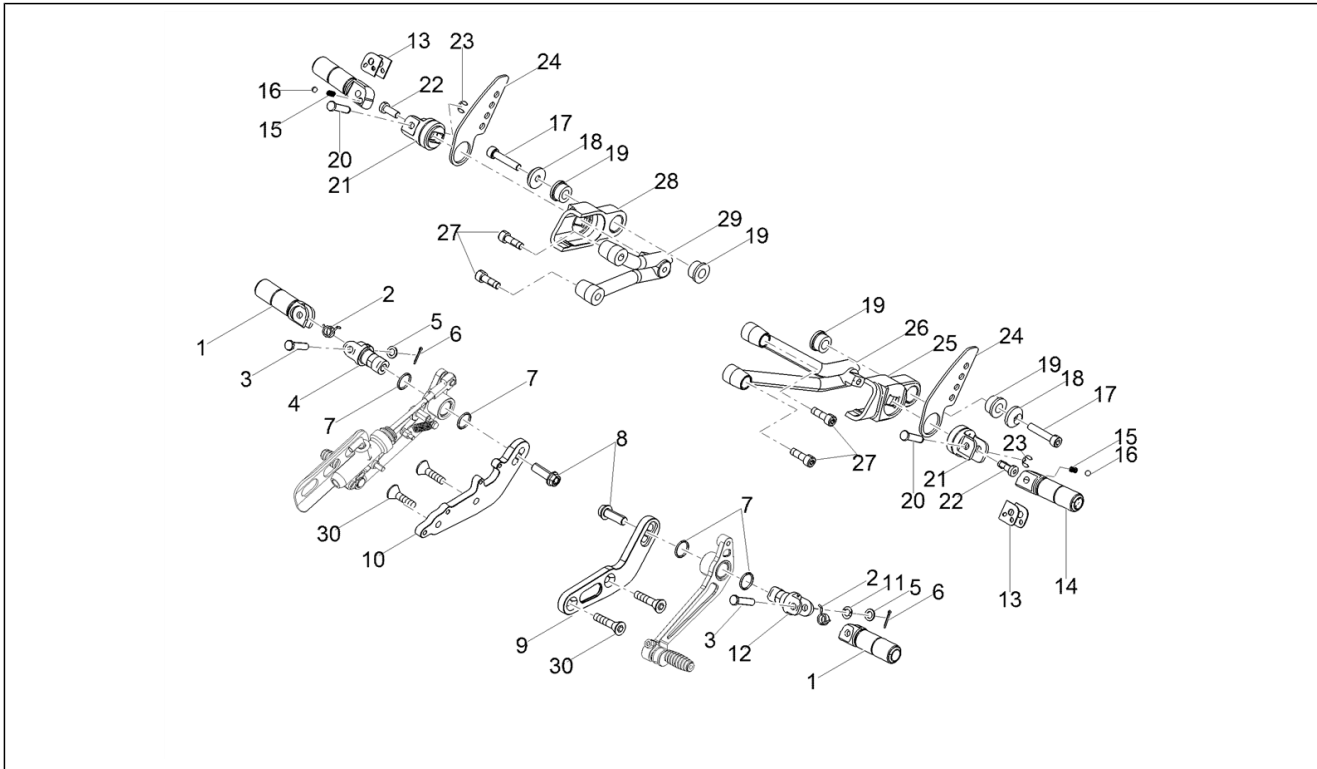
| Code       | N.Tafel | Pos. | Code       | N.Tafel | Pos. |
|------------|---------|------|------------|---------|------|
| GU90403549 | 03.350  | 3    | GU95129181 | 04.080  | 7    |
| GU90407591 | 03.350  | 15   | GU95500222 | 03.230  | 20   |
| GU90412541 | 03.180  | 18   | GU96451430 | 03.030  | 12   |
| GU90706141 | 11.010  | 11   | GU96508055 | 03.030  | 16   |
| GU90706170 | 03.230  | 27   | GU96508055 | 03.350  | 12   |
| GU90706188 | 03.350  | 29   | GU97202325 | 07.030  | 7    |
| GU90706203 | 03.170  | 34   | GU98110199 | 01.010  | 2    |
| GU90706203 | 03.350  | 7    | GU98252420 | 01.020  | 30   |
| GU90706235 | 03.230  | 10   | GU98370614 | 02.050  | 8    |
| GU90706281 | 03.030  | 25   | GU98370625 | 06.030  | 4    |
| GU90706444 | 03.190  | 4    | GU98370655 | 08.030  | 8    |
| GU90706584 | 03.350  | 37   | GU98612216 | 03.320  | 4    |
| GU91113826 | 03.330  | 18   | GU98622322 | 03.060  | 9    |
| GU91120806 | 02.150  | 5    | GU98680350 | 07.010  | 20   |
| GU91551010 | 03.050  | 19   | GU98680545 | 01.050  | 8    |
| GU92201070 | 03.350  | 14   | GU98682212 | 03.300  | 6    |
| GU92201226 | 03.180  | 19   | GU98682314 | 11.010  | 2    |
| GU92201226 | 03.230  | 9    | GU98682325 | 03.030  | 24   |
| GU92201822 | 03.180  | 1    | GU98682325 | 03.270  | 1    |
| GU92204217 | 05.020  | 5    | GU98682330 | 03.270  | 2    |
| GU92204218 | 05.020  | 3    | GU98682416 | 02.170  | 9    |
| GU92204221 | 05.010  | 7    | GU98682435 | 03.290  | 3    |
| GU92249220 | 03.350  | 32   | GU98682530 | 01.010  | 11   |
| GU92249227 | 03.350  | 20   | GU98690435 | 02.150  | 9    |
| GU92252235 | 03.350  | 5    | GU98690435 | 08.010  | 8    |
| GU92296723 | 03.190  | 25   | GU98690440 | 01.020  | 17   |
| GU92602510 | 03.190  | 19   | GU98690440 | 03.330  | 23   |
| GU92606208 | 03.030  | 6    | GU98690445 | 02.030  | 4    |
| GU92606210 | 01.050  | 6    | GU98690445 | 08.010  | 9    |
| GU92606316 | 05.020  | 16   | GU98692325 | 07.020  | 3    |
| GU92606508 | 03.230  | 24   | GU98882316 | 03.120  | 26   |
| GU92630108 | 02.150  | 4    | GU98882416 | 01.010  | 19   |
| GU92630206 | 06.030  | 3    |            |         |      |
| GU92630207 | 05.010  | 18   |            |         |      |
| GU92630510 | 01.010  | 10   |            |         |      |
| GU92630510 | 01.010  | 12   |            |         |      |
| GU92630510 | 04.080  | 8    |            |         |      |
| GU92630707 | 03.020  | 5    |            |         |      |
| GU92660021 | 03.330  | 8    |            |         |      |
| GU92787006 | 08.030  | 10   |            |         |      |
| GU93180105 | 01.050  | 3    |            |         |      |
| GU93180111 | 05.010  | 13   |            |         |      |
| GU93180220 | 03.170  | 42   |            |         |      |
| GU93304360 | 09.020  | 8    |            |         |      |
| GU93304390 | 11.010  | 8    |            |         |      |
| GU93304390 | 11.030  | 12   |            |         |      |
| GU93450224 | 08.030  | 7    |            |         |      |
| GU94321079 | 03.190  | 9    |            |         |      |
| GU94321099 | 03.340  | 4    |            |         |      |
| GU94321105 | 03.230  | 22   |            |         |      |
| GU95005304 | 11.020  | 10   |            |         |      |
| GU95005306 | 08.030  | 9    |            |         |      |
| GU95005308 | 01.020  | 5    |            |         |      |
| GU95005308 | 03.340  | 7    |            |         |      |
| GU95005310 | 02.150  | 10   |            |         |      |
| GU95008206 | 03.190  | 7    |            |         |      |
| GU95008208 | 03.290  | 2    |            |         |      |
| GU95008210 | 01.010  | 5    |            |         |      |
| GU95008210 | 01.010  | 9    |            |         |      |
| GU95008210 | 01.050  | 7    |            |         |      |
| GU95008308 | 03.330  | 29   |            |         |      |
| GU95020105 | 01.030  | 8    |            |         |      |
| GU95100059 | 06.030  | 26   |            |         |      |
| GU95100059 | 11.030  | 7    |            |         |      |
| GU95100309 | 03.190  | 17   |            |         |      |
| GU95100602 | 03.190  | 26   |            |         |      |
| GU95129115 | 03.120  | 18   |            |         |      |

|                     |        |
|---------------------|--------|
| <b>Groep</b>        | Frame  |
| <b>Code</b>         | 01.010 |
| <b>Beschrijving</b> | Frame  |
| <b>Revisie</b>      | 1      |



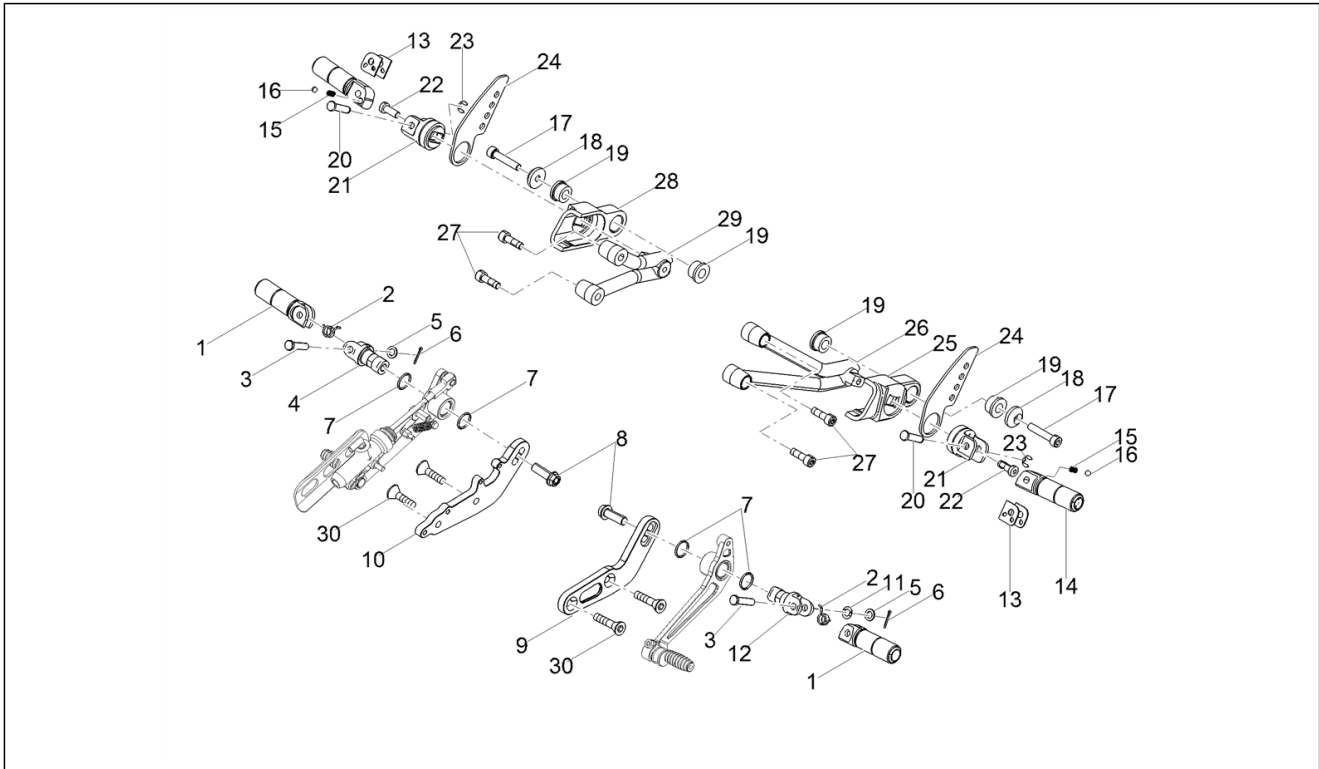
| Pos. | Code       | Beschrijving                                     | Aant. | Varianten |
|------|------------|--|-------|-----------|
| 1    | 2B003838   | Frame v.   | 1     |           |
| 2    | GU98110199 | Pin M10x205                                      | 1     |           |
| 3    | 2B001035   | Pin 234X10                                       | 1     |           |
| 4    | GU66103415 | Rubbertje  | 2     |           |
| 5    | GU95008210 | Sluitring 10,2X18X2                              | 11    |           |
| 6    | B063287    | Verbindingsplaat frame                           | 1     |           |
| 7    | 2B002311   | Bolschroef torx M8X20                            | 4     |           |
| 8    | AP8120311  | Rubbertje  | 2     |           |
| 9    | GU95008210 | Sluitring 10,2X18X2                              | 4     |           |
| 10   | GU92630510 | Moer M10x1,5                                     | 4     |           |
| 11   | GU98682530 | Binnenzeskantbout M10x30                         | 4     |           |
| 12   | GU92630510 | Moer M10x1,5                                     | 4     |           |
| 13   | 2B001612   | Pin M10X253                                      | 1     |           |
| 14   | AP8150048  | Binnenzeskantbout                                | 2     |           |
| 15   | 2B003841   |  | 1     |           |
| 16   | 2B002810   | Dwarsbalk frame                                  | 1     |           |
| 17   | 2B003840   | Arm motorsteun LI                                | 1     |           |
| 18   | 2B002817   | Pin M10  | 1     |           |
| 19   | GU98882416 | Bout met verzonken cilindrische zeskantkop M8x16 | 2     |           |

|                     |               |
|---------------------|---------------|
| <b>Groep</b>        | Frame         |
| <b>Code</b>         | 01.020        |
| <b>Beschrijving</b> | Voetensteunen |
| <b>Revisie</b>      | 1             |



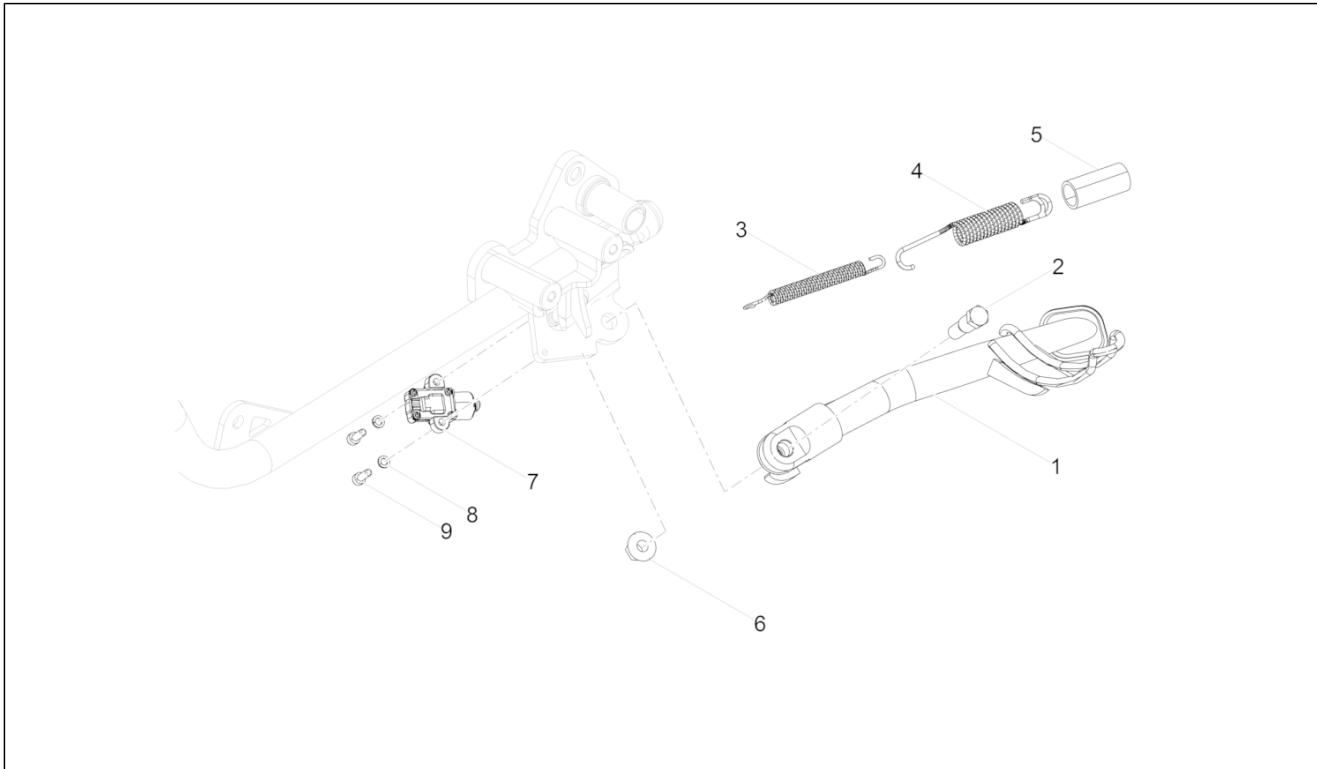
| Pos. | Code       | Beschrijving                  | Aant. | Varianten |
|------|------------|-------------------------------|-------|-----------|
| 1    | 898281     | Voetensteun bestuurder        | 1     |           |
| 2    | AP8221277  | Trekveer voetensteun          | 2     |           |
| 3    | GU23442210 | Pin                           | 2     |           |
| 4    | 898612     | Steun voetenst. bestuurder re | 1     |           |
| 5    | GU95005308 | Sluistring 8,4x14,57x1,6      | 2     |           |
| 6    | AP8101928  | Splitpen                      | 2     |           |
| 7    | AP9100477  | O-ring 18x2                   | 4     |           |
| 8    | AP8152320  | Zeskantbout geflenst          | 2     |           |
| 9    | 898284     | Plaat voetensteun bestuurder  | 1     |           |
| 10   | 898288     | Plaat voetensteun bestuurder  | 4     |           |
| 11   | AP8150207  | Elastische kromme sluitring   | 8     |           |
| 12   | 898611     | Steun voetenst. bestuurder li | 2     |           |
| 13   | AP8134451  | Plaat eindeloop voetensteun   | 4     |           |
| 14   | 2B003872   | Voetenst. pass.li             | 2     |           |
| 15   | AP8121133  | Spiraalveer cilind.compr.     | 2     |           |
| 16   | AP8101861  | Bol D6,35                     | 2     |           |
| 17   | GU98690440 | Bout M8x40                    | 2     |           |
| 18   | AP8134378  | Huls bevestiging geluiddemper | 2     |           |
| 19   | AP8144071  | Rubbertje uitlaat             | 4     |           |
| 20   | CM228402   | Pin voetensteun               | 2     |           |
| 21   | 2B004115   | Steun voetenst. li            | 2     |           |
| 22   | 2B004209   |                               | 2     |           |
| 23   | AP8120573  | Blokkeerring radiaal          | 4     |           |
| 24   | 2B004117   |                               | 2     |           |
| 25   | 2B004116   |                               | 1     |           |
| 26   | 2B004122   | Steun voetenst. li pass.      | 1     |           |
| 27   | 2B002171   | Bout TC 8x25                  | 4     |           |
| 28   | 2B004139   |                               | 1     |           |

|                     |               |
|---------------------|---------------|
| <b>Groep</b>        | Frame         |
| <b>Code</b>         | 01.020        |
| <b>Beschrijving</b> | Voetensteunen |
| <b>Revisie</b>      | 1             |



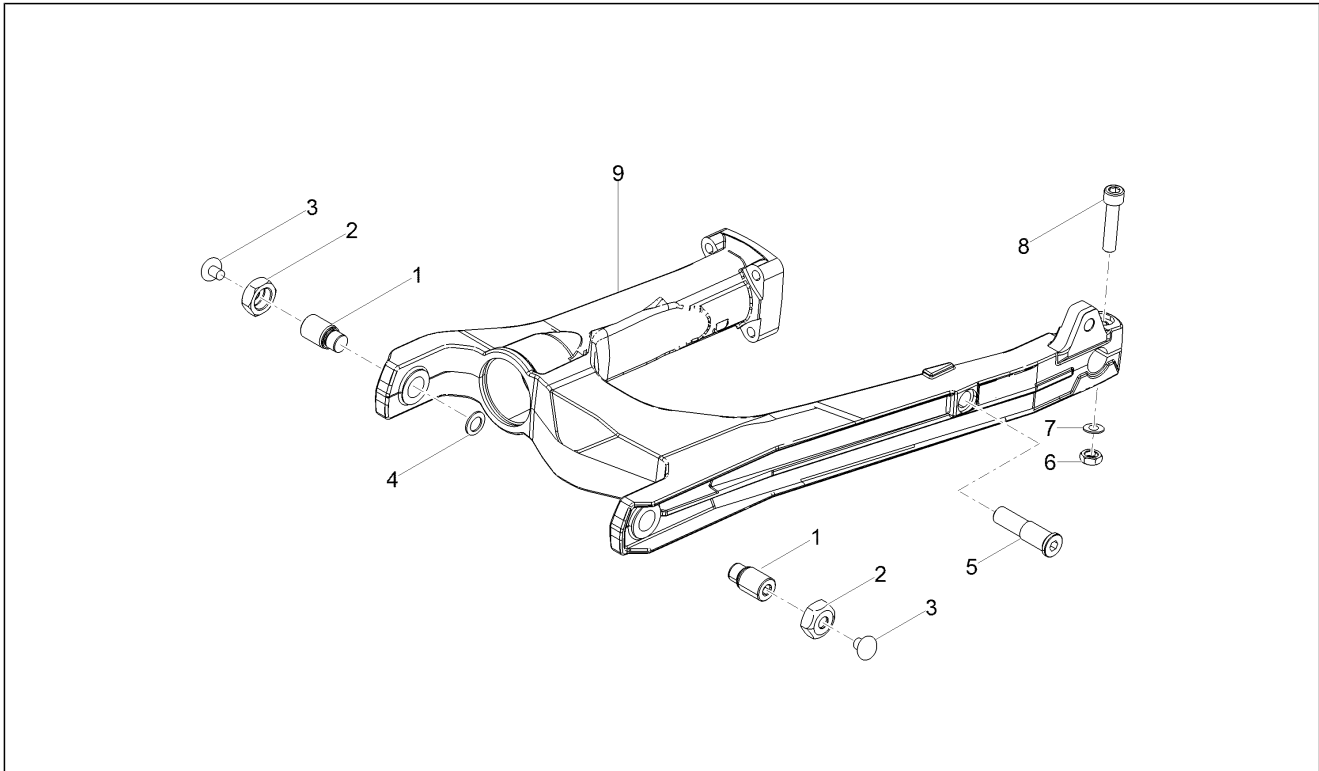
| Pos. | Code       | Beschrijving                              | Aant. | Varianten |
|------|------------|---|-------|-----------|
| 29   | 2B004140   | Steun voetenst. re pass.                  | 1     |           |
| 30   | GU98252420 | Binnenzeskantbout met verzonken kop M8x20 | 4     |           |

|                     |           |
|---------------------|-----------|
| <b>Groep</b>        | Frame     |
| <b>Code</b>         | 01.030    |
| <b>Beschrijving</b> | Standaard |
| <b>Revisie</b>      | 1         |



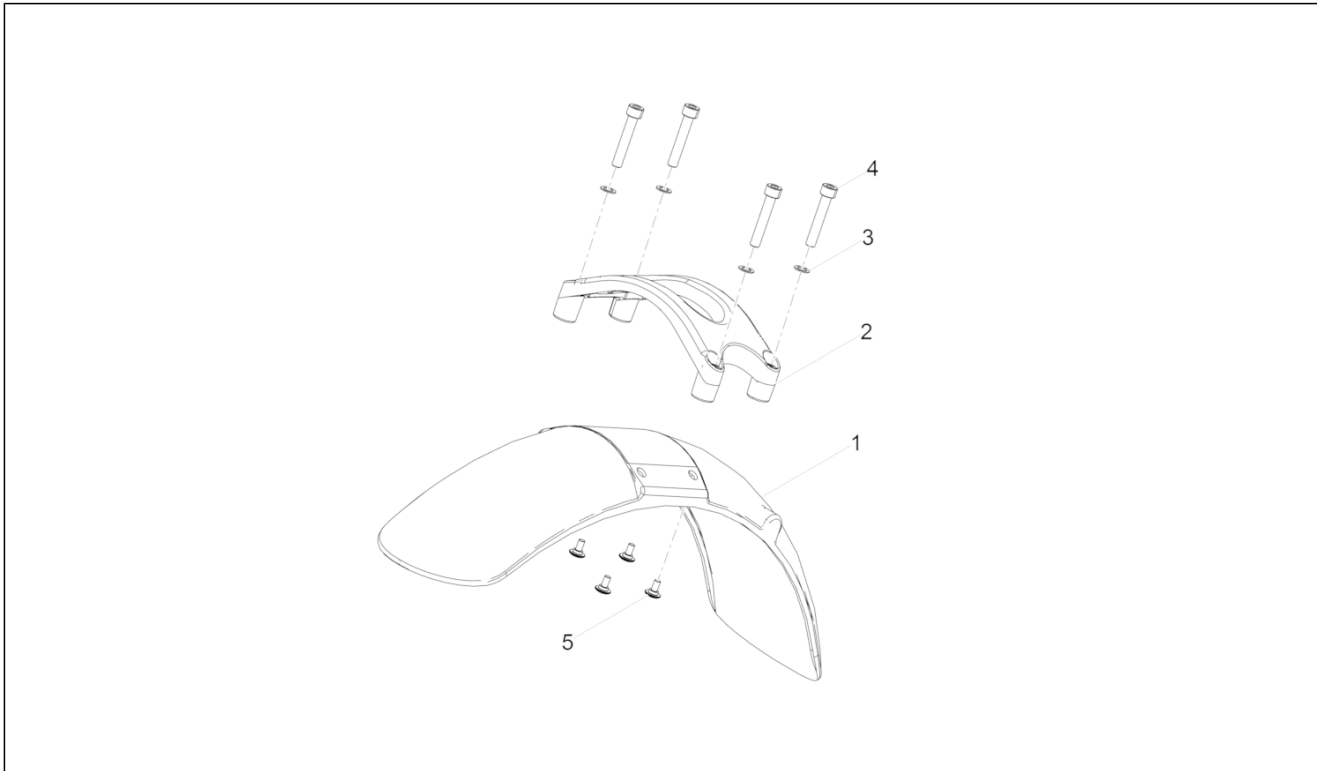
| Pos. | Code       | Beschrijving                   | Aant. | Varianten |
|------|------------|--------------------------------|-------|-----------|
| 1    | 2B003320   | Laterale standaard             | 1     |           |
| 2    | 2B001088   | Pin van de standaard           | 1     |           |
| 3    | AP8121014  | Spiraalveer cilind.aandr.      | 1     |           |
| 4    | AP8221197  | Trekveer standaard             | 1     |           |
| 5    | AP8102524  | Bescherming veer standaard     | 1     |           |
| 6    | 967356     | Moer geflenst M10x1,25         | 1     |           |
| 7    | AP8127856  | Schakelaar standaard           | 1     |           |
| 8    | GU95020105 | Sluitring 5,3x8,9x2,4          | 1     |           |
| 9    | 1C001499   | Binnenkantbout TORX M5x16 INOX | 2     |           |

|                     |        |
|---------------------|--------|
| <b>Groep</b>        | Frame  |
| <b>Code</b>         | 01.050 |
| <b>Beschrijving</b> | Vork   |
| <b>Revisie</b>      | 1      |



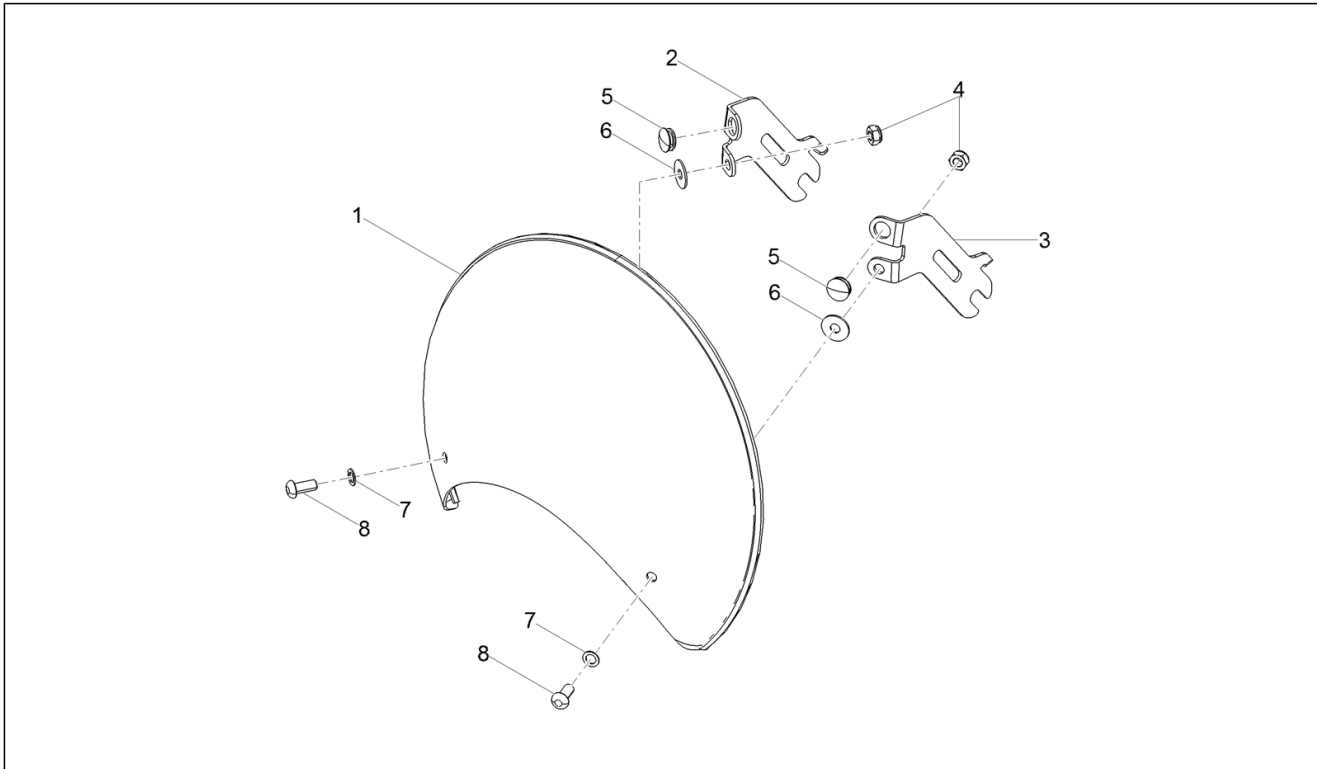
| Pos. | Code       | Beschrijving        | Aant. | Varianten |
|------|------------|---------------------|-------|-----------|
| 1    | GU19547000 | Pin                 | 2     |           |
| 2    | GU31547882 | Moer                | 2     |           |
| 3    | GU93180105 | Dop                 | 2     |           |
| 4    | GU35214300 | Dikte               | 1     |           |
| 5    | GU31544181 | Pin                 | 1     |           |
| 6    | GU92606210 | Moer M10x1,5        | 1     |           |
| 7    | GU95008210 | Sluitring 10,2X18X2 | 1     |           |
| 8    | GU98680545 | Bout M10x45         | 1     |           |
| 9    | 2B003941   |                     | 1     |           |

|                     |                       |
|---------------------|-----------------------|
| <b>Groep</b>        | Carrosserie           |
| <b>Code</b>         | 02.030                |
| <b>Beschrijving</b> | voorste spatbord-Punt |
| <b>Revisie</b>      | 1                     |



| Pos. | Code           | Beschrijving         | Aant. | Varianten                                     |
|------|----------------|----------------------|-------|---|
| 1    | 2H001644000XN6 | Spatbord voor.zwart  | 1     |   |
| 1    | 886634         | Spatbord voor.ruw    | 1     | <b>Technische specificatie:</b> Onbewerkt[GR] |
| 2    | 2B003515       | Stabiliseerplaat     | 1     |   |
| 3    | GU14615901     | Sluitring 8,4X13X0,8 | 4     |   |
| 4    | GU98690445     | Bout M8x45           | 4     |   |
| 5    | GU31439565     | Speciale bout        | 4     |   |

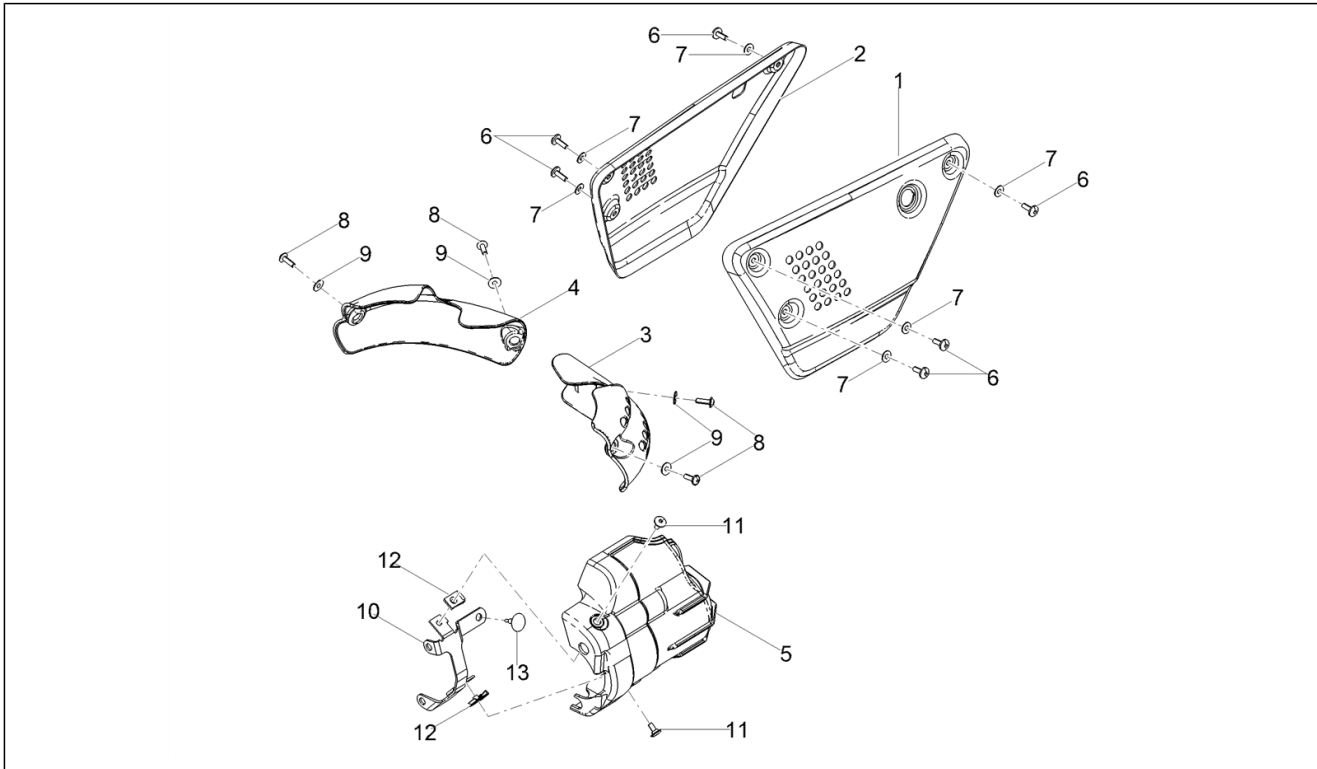
|                     |             |
|---------------------|-------------|
| <b>Groep</b>        | Carrosserie |
| <b>Code</b>         | 02.050      |
| <b>Beschrijving</b> | Kapje       |
| <b>Revisie</b>      | 1           |



| Pos. | Code       | Beschrijving                   | Aant. | Varianten |
|------|------------|--------------------------------|-------|-----------|
| 1    | 2B003942   | Kapje                          | 1     |           |
| 2    | 2B003944   | Houder re ruitkap              | 1     |           |
| 3    | 2B003943   | Houder li ruitkap              | 1     |           |
| 4    | AP8150430  | Zelfborg. moer laag            | 2     |           |
| 5    | 197551     | Dop                            | 2     |           |
| 6    | GU66478610 | Sluitring in nylon 6X17X1      | 2     |           |
| 7    | GU14217901 | Gekart. sluitring 6,4x10x0,7   | 2     |           |
| 8    | GU98370614 | Bolbout met binnenzesant M6x14 | 2     |           |

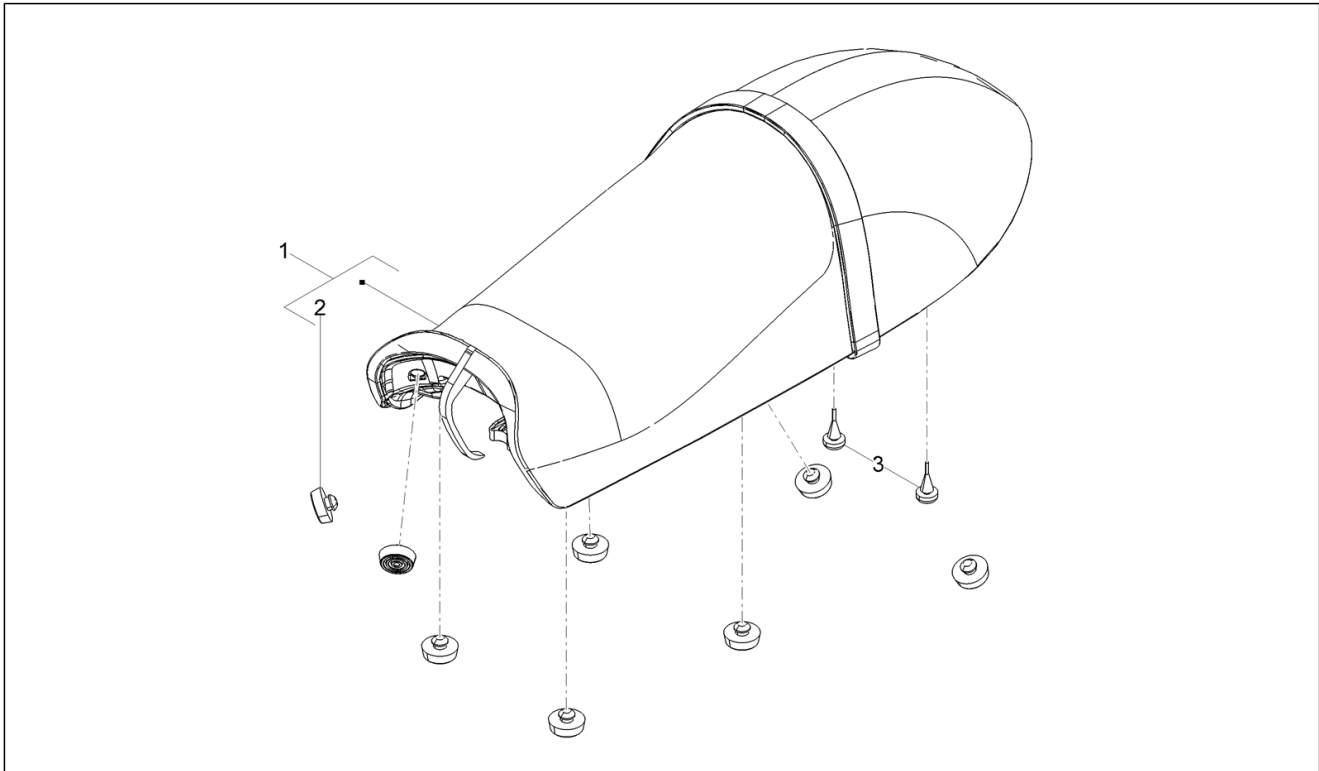


|                     |                    |
|---------------------|--------------------|
| <b>Groep</b>        | Carrosserie        |
| <b>Code</b>         | 02.100             |
| <b>Beschrijving</b> | Carrosserie centr. |
| <b>Revisie</b>      | 1                  |



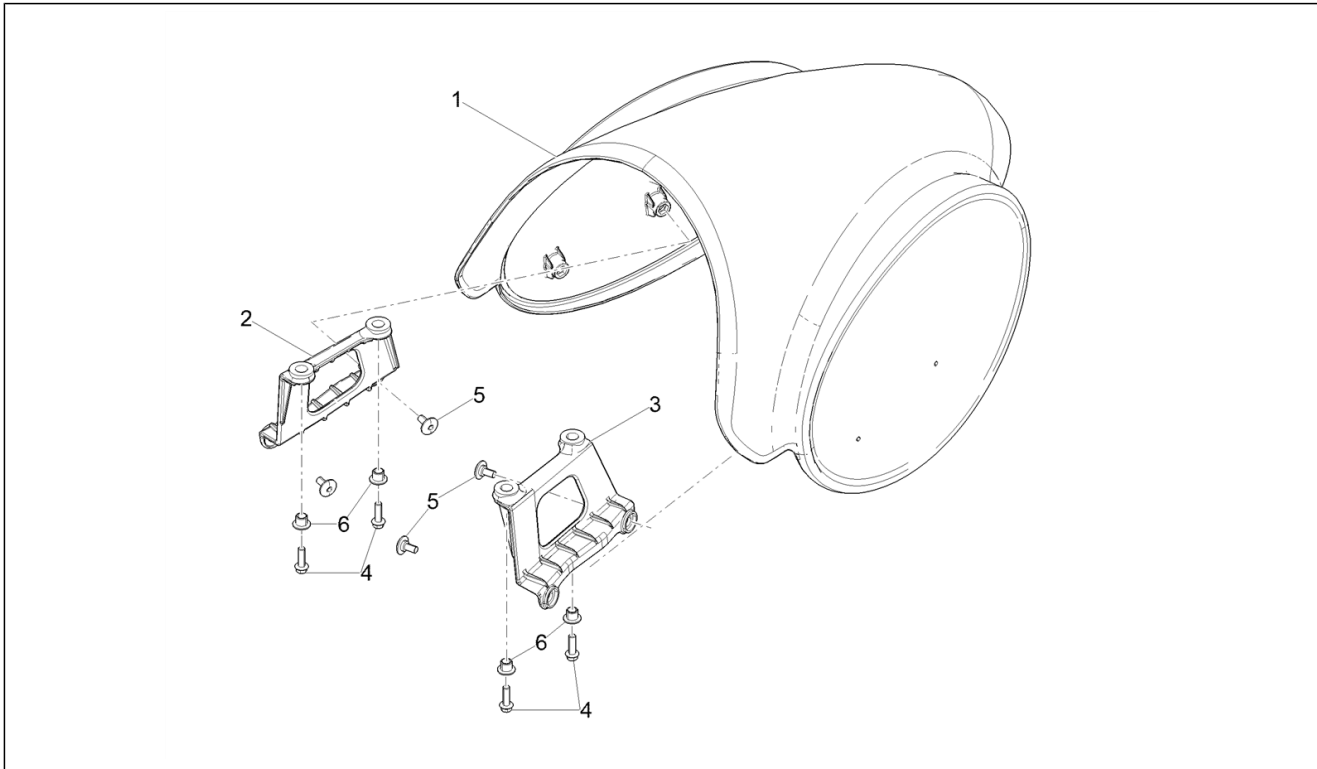
| Pos. | Code       | Beschrijving                    | Aant. | Varianten |
|------|------------|---------------------------------|-------|-----------|
| 1    | 2B003827   |                                 | 1     |           |
| 2    | 2B003828   | Zijplaatje re                   | 1     |           |
| 3    | 2B002621   | Injectorbedekking li            | 1     |           |
| 4    | 2B002622   | Injectorbedekking re            | 1     |           |
| 5    | 2B002943   | Starter motor cover             | 1     |           |
| 6    | 976614     | Bolbout met binnenzeskant M5x15 | 6     |           |
| 7    | GU01577830 | Sluitring in nylon              | 1     |           |
| 8    | 896174     | Zwarte binnenzeskantbout M5x12  | 4     |           |
| 9    | 843213     | 'T'-vormige huls                | 4     |           |
| 10   | 2B002937   | Steunbeugel cover               | 4     |           |
| 11   | AP8150500  | Bolbout met binnenzeskant M5x9  | 2     |           |
| 12   | 248419     | Spring plate M5                 | 2     |           |
| 13   | AP8120001  | Rubbertje                       | 1     |           |

|                     |             |
|---------------------|-------------|
| <b>Groep</b>        | Carrosserie |
| <b>Code</b>         | 02.120      |
| <b>Beschrijving</b> | Zadel       |
| <b>Revisie</b>      | 1           |



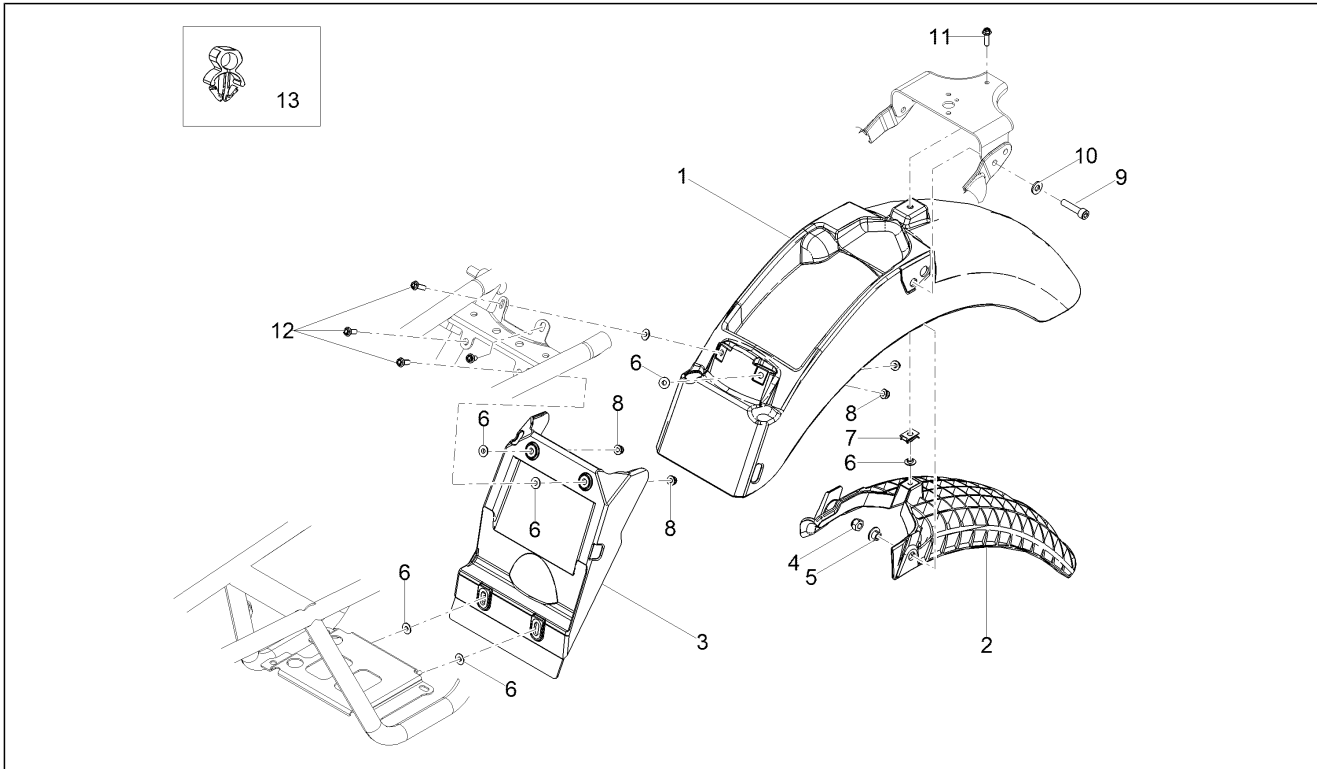
| Pos. | Code          | Beschrijving | Aant. | Varianten |
|------|---------------|--------------|-------|-----------|
| 1    | 2B003945000C1 | Zadel        | 8     |           |
| 2    | GU32461610    | Rubbetje     | 2     |           |
| 3    | AP8220238     | Rubbetje     | 1     |           |

|                     |                   |
|---------------------|-------------------|
| <b>Groep</b>        | Carrosserie       |
| <b>Code</b>         | 02.140            |
| <b>Beschrijving</b> | Carrosserie acht. |
| <b>Revisie</b>      | 1                 |



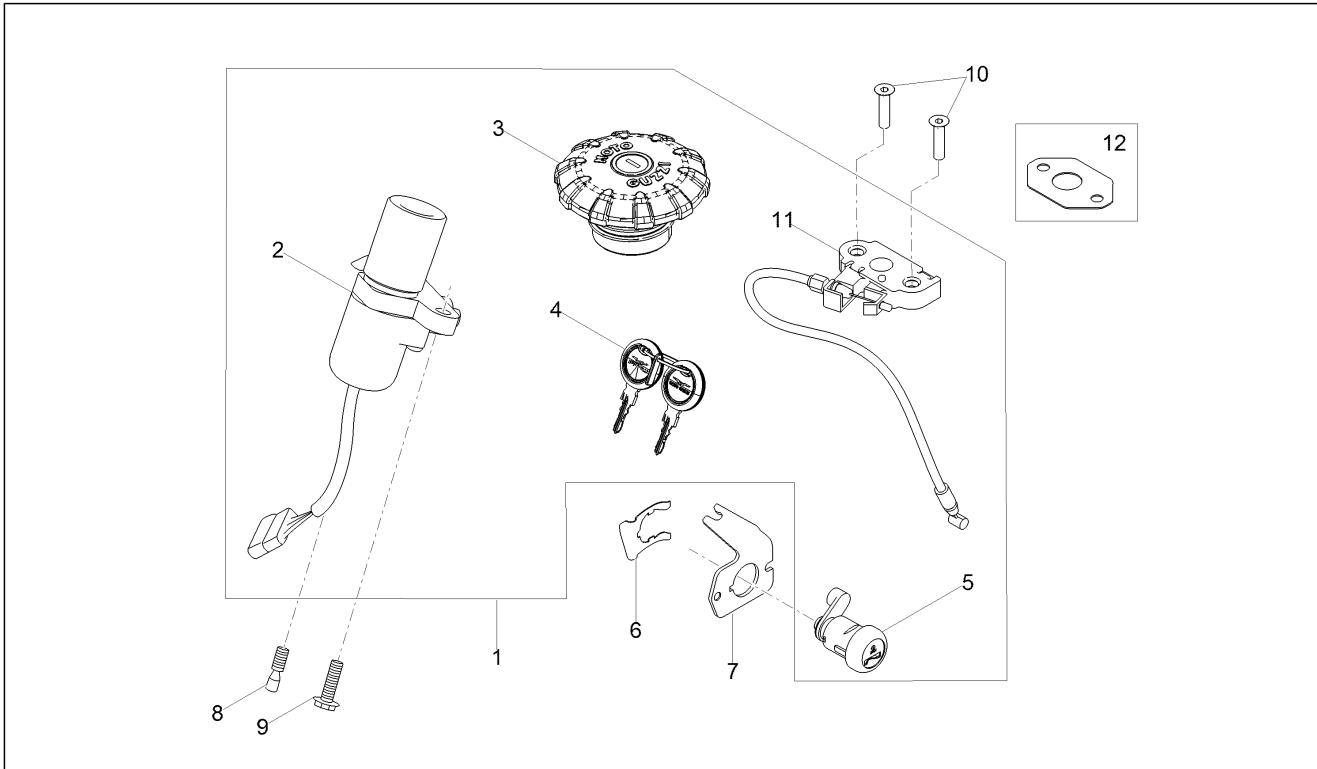
| Pos. | Code           | Beschrijving                             | Aant. | Varianten                                      |
|------|----------------|--|-------|--|
| 1    | 2H001842000XN6 | Eindstuk                                 | 1     | <b>Technische specificatie:</b> Met decalco[D] |
| 1    | 898280         | Eindstuk ruw                             | 1     | <b>Technische specificatie:</b> Onbewerkt[GR]  |
| 2    | 886713         | Beugel re                                | 1     |  |
| 3    | 886712         | Beugel li                                | 1     |  |
| 4    | AP8152273      | Geflenste bout M5x15                     | 4     |  |
| 5    | AP8152339      | Bolbout met binnenzeskant, geflenst M5x9 | 4     |  |
| 6    | AP8121929      | 'T'-vormige huls 6,5x8,6x9               | 4     |  |

|                     |                    |
|---------------------|--------------------|
| <b>Groep</b>        | Carrosserie        |
| <b>Code</b>         | 02.150             |
| <b>Beschrijving</b> | Achterste spatbord |
| <b>Revisie</b>      | 1                  |



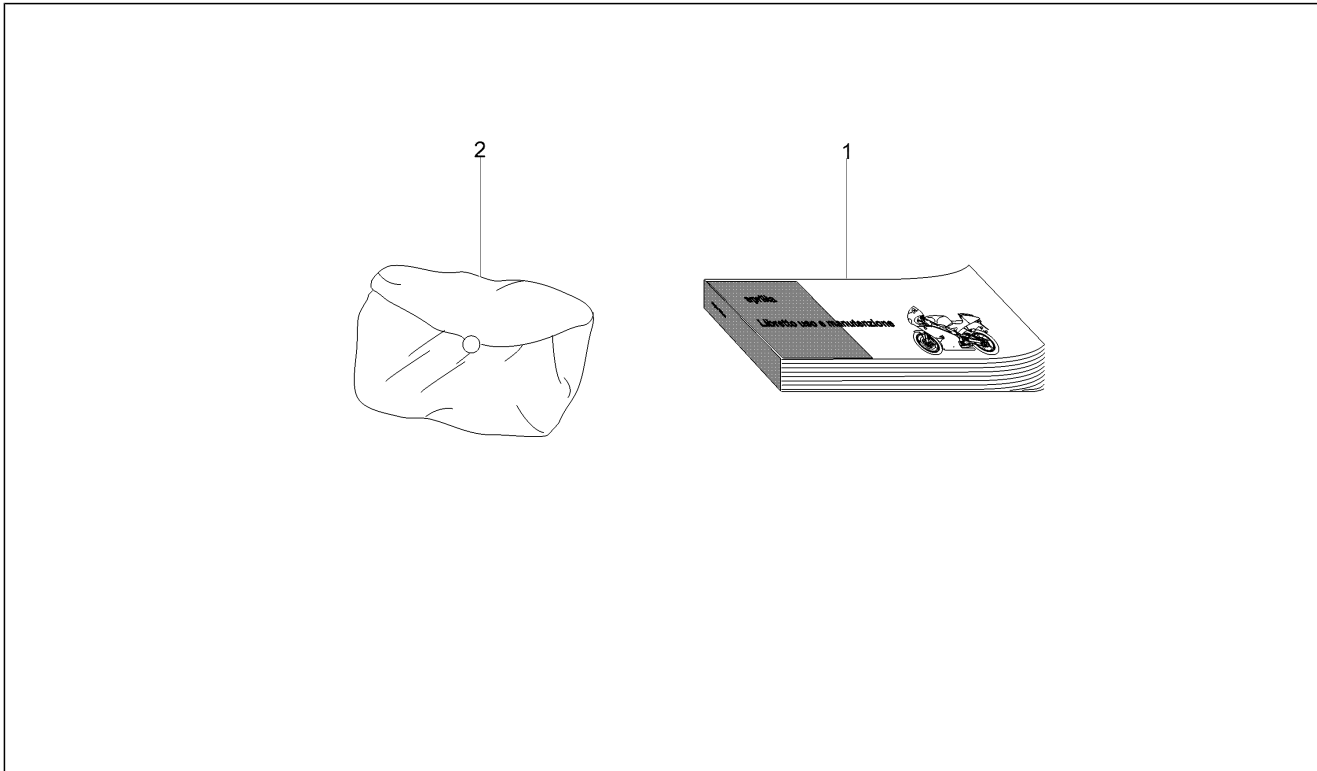
| Pos. | Code        | Beschrijving               | Aant. | Varianten                                     |
|------|-------------|----------------------------|-------|---|
| 1    | 978946      | Spatbord acht. ruw         | 1     | <b>Technische specificatie:</b> Onbewerkt[GR] |
| 1    | 97894600XN6 | Spatbord acht.zwart        | 1     |   |
| 2    | 978947      | Versterking                | 1     |   |
| 3    | 2B001783    | Spatbordje acht.           | 1     |   |
| 4    | GU92630108  | Moer                       | 2     |   |
| 5    | GU91120806  | Afstandhouder              | 2     |   |
| 6    | AP8121032   | Huls                       | 7     |   |
| 7    | 254485      | Spring plate M6            | 1     |   |
| 8    | AP8152299   | Zelfborg.bout gefl. M6     | 4     |   |
| 9    | GU98690435  | Binnenzeskantbout M8x35    | 2     |   |
| 10   | GU95005310  | Sluitring 8,4x18x2         | 2     |   |
| 11   | 00H02402282 | Bout 6X20                  | 1     |   |
| 12   | AP8152278   | Zeskantbout geflenst M6x16 | 4     |   |
| 13   | 2B004088    | Kabelblokk.                | 1     |   |

|                     |             |
|---------------------|-------------|
| <b>Groep</b>        | Carrosserie |
| <b>Code</b>         | 02.170      |
| <b>Beschrijving</b> | Sloten      |
| <b>Revisie</b>      | 1           |



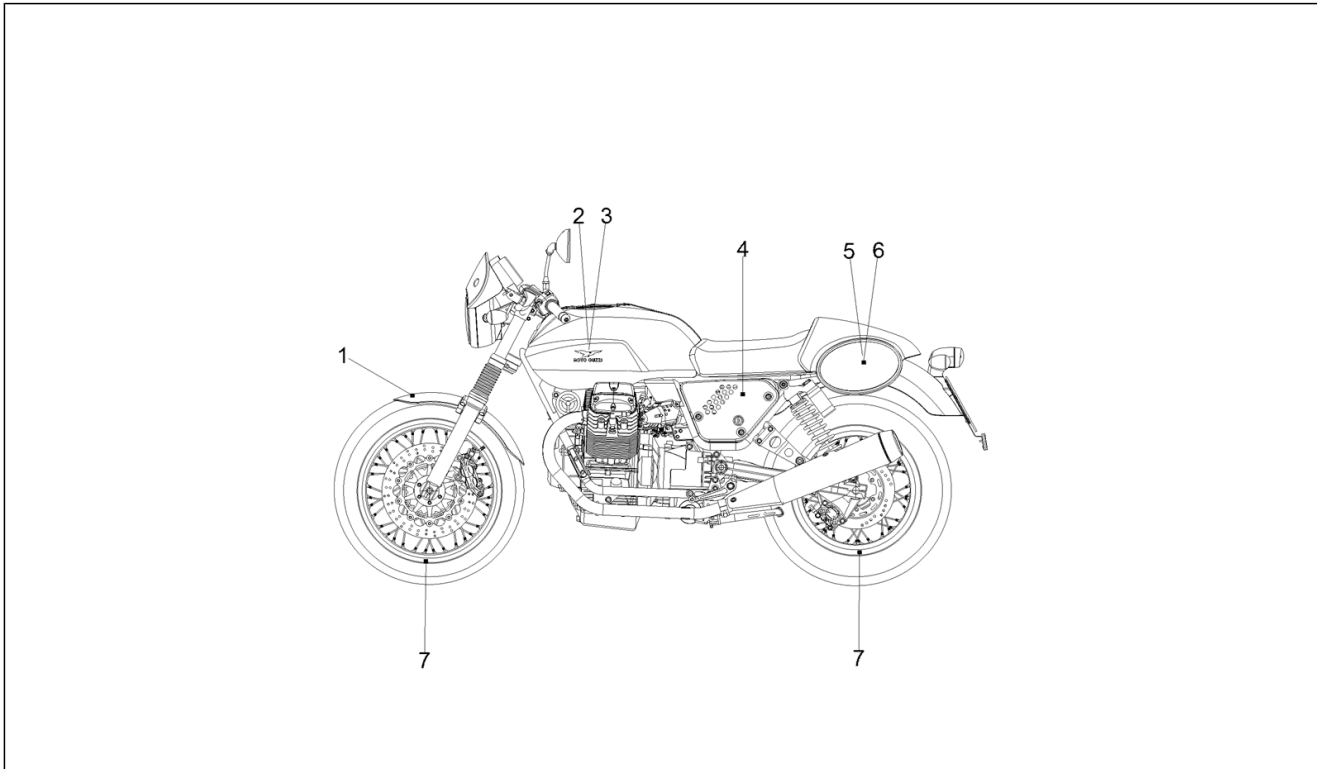
| Pos. | Code       | Beschrijving                              | Aant. | Varianten |
|------|------------|---|-------|-----------|
| 1    | 2B003493   | Kit sloten                                | 1     |           |
| 2    | 2D000351   | Schakelaar met sleutel                    | 1     |           |
| 3    | 2B0039954  | Dop met sleutel                           | 1     |           |
| 4    | 2B003994   | Coppia chiavi lisce                       | 1     |           |
| 5    | 2B004009   | Zadelslot met sleutel                     | 1     |           |
| 6    | AP8121420  | Vorkveer                                  | 1     |           |
| 7    | 978415     | Plaatje steun kabel                       | 1     |           |
| 8    | AP8152229  | Trekbout M8x20                            | 1     |           |
| 9    | GU98682416 | Binnenzeskantbout M8x16                   | 1     |           |
| 10   | AP8702101  | Binnenzeskantbout met verzonken kop M6x25 | 2     |           |
| 11   | 2B003809   | Zadeltransmissie                          | 1     |           |
| 12   | 886820     | Plaatje slot zadel                        | 1     |           |

|                     |             |
|---------------------|-------------|
| <b>Groep</b>        | Carrosserie |
| <b>Code</b>         | 02.180      |
| <b>Beschrijving</b> | Plaatjes    |
| <b>Revisie</b>      | 1           |



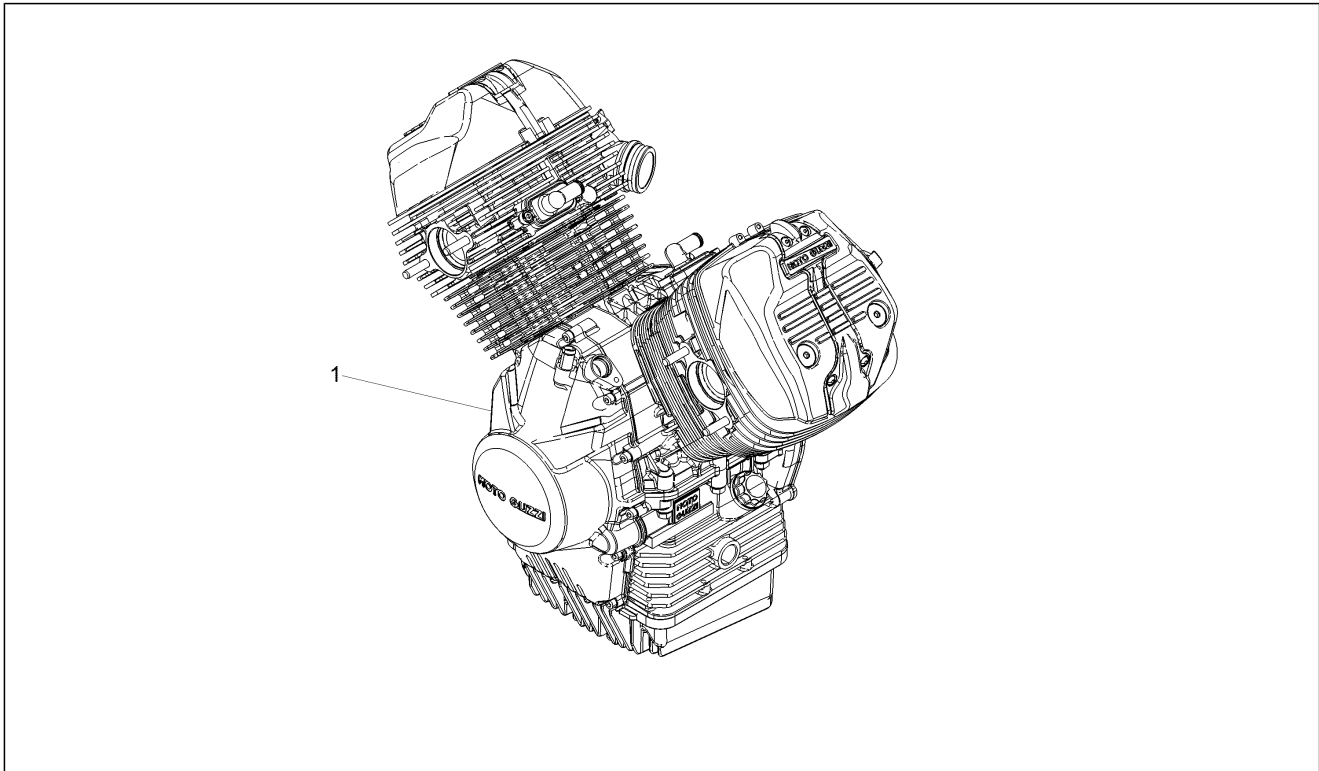
| Pos. | Code     | Beschrijving    | Aant. | Varianten   |
|------|----------|-----------------|-------|---|
| 1    | 2Q000316 | [...]           | 1     | LAND:Hong Kong[HK] Singapore[S] Maleisië[M] Nieuw Zeeland[NZ] Thailandia[T] Australië[AUS] Vietnam[V] |
| 1    | 2Q000318 | [...]           | 1     | LAND:Japan[J]   |
| 1    | 2Q000282 |                 | 1     | LAND:China[ZN]  |
| 2    | 2B003306 | Gereedschapstas | 1     |   |

|                     |             |
|---------------------|-------------|
| <b>Groep</b>        | Carrosserie |
| <b>Code</b>         | 02.190      |
| <b>Beschrijving</b> | Plaat       |
| <b>Revisie</b>      | 1           |



| Pos. | Code     | Beschrijving                     | Aant. | Varianten |
|------|----------|----------------------------------|-------|-----------|
| 1    | 2H001260 | Decalco "Aquila"                 | 1     |           |
| 2    | 2H001853 | Targhetta "aquila" DX            | 1     |           |
| 3    | 2H001854 |                                  | 1     |           |
| 4    | 2H001852 |                                  | 2     |           |
| 5    | 2H001845 | Decalco nummerhouder eindstuk re | 1     |           |
| 6    | 2H001846 | Decalco nummerhouder eindstuk li | 1     |           |
| 7    | 887971   | Plaat "Moto Guzzi"               | 4     |           |

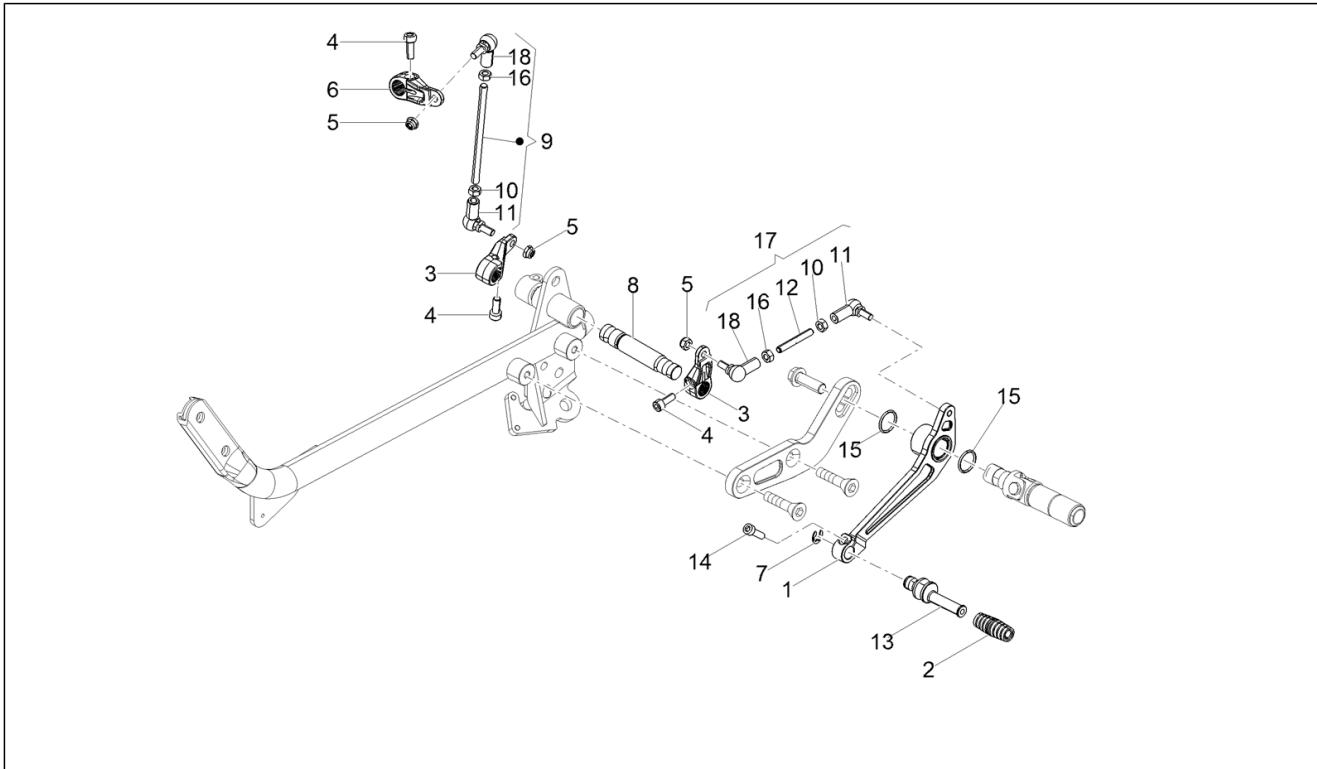
|                     |                    |
|---------------------|--------------------|
| <b>Groep</b>        | Motor              |
| <b>Code</b>         | 03.010             |
| <b>Beschrijving</b> | Motor-Completering |
| <b>Revisie</b>      | 1                  |



| Pos. | Code      | Beschrijving                | Aant. | Varianten |
|------|-----------|-----------------------------|-------|-----------|
| 1    | 1A0073175 | Motor cpl. zonder versn.bak | 1     |           |

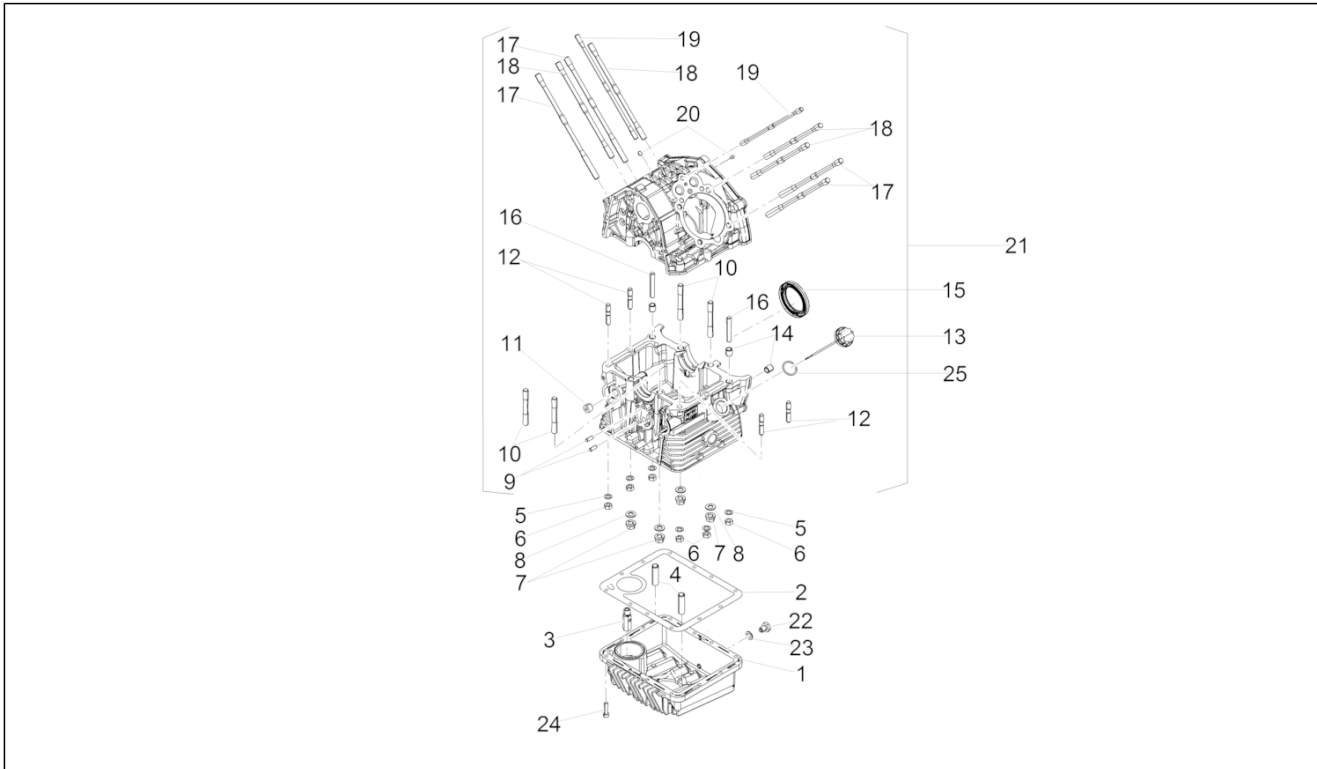


|                     |            |
|---------------------|------------|
| <b>Groep</b>        | Motor      |
| <b>Code</b>         | 03.020     |
| <b>Beschrijving</b> | Gear lever |
| <b>Revisie</b>      | 1          |



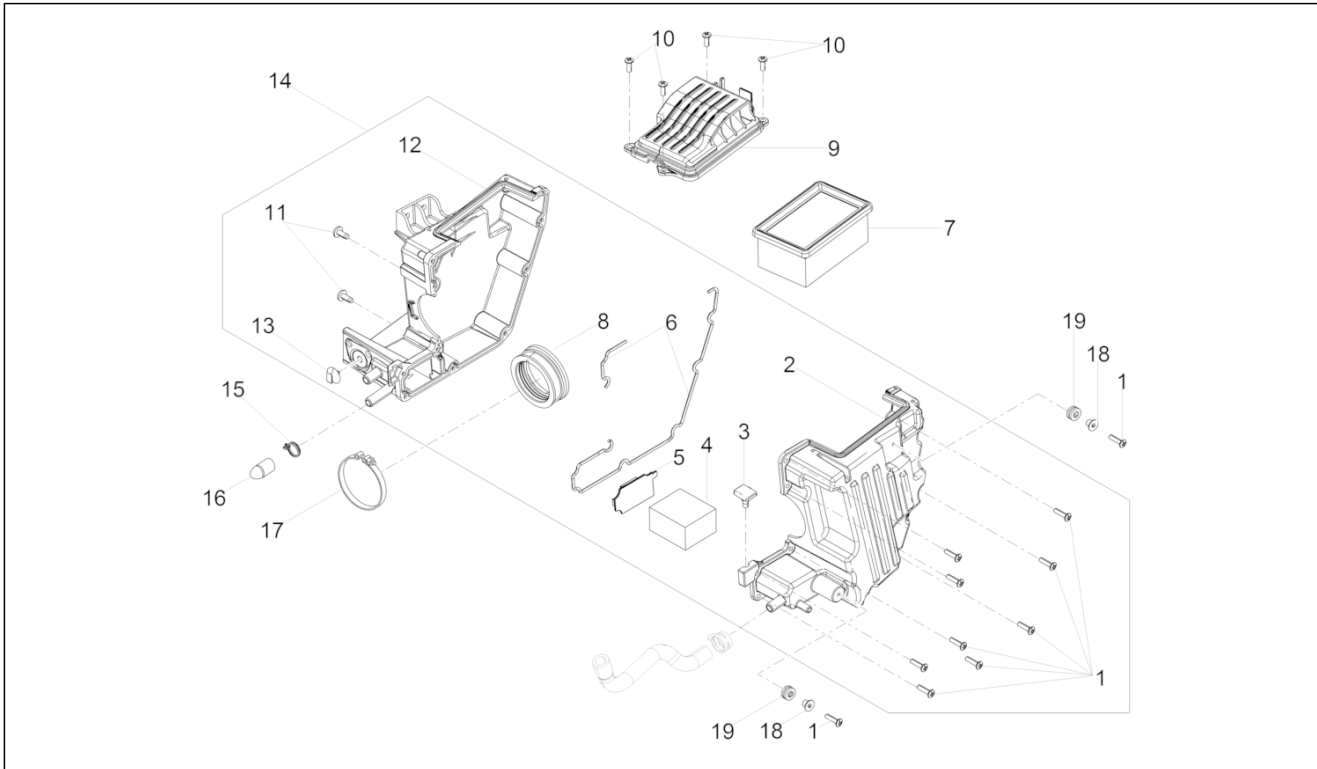
| Pos. | Code       | Beschrijving                        | Aant. | Varianten |
|------|------------|-------------------------------------|-------|-----------|
| 1    | 898282     | Versnellingshendel                  | 1     |           |
| 2    | AP8120912  | Rubbertje voor hendel               | 1     |           |
| 3    | 898283     | Gear change lever                   | 1     |           |
| 4    | AP8150137  | Binnenzeskantbout M6x16             | 2     |           |
| 5    | GU92630707 | Moer M6                             | 2     |           |
| 6    | GU20258221 | Hendel voorschakelaar               | 1     |           |
| 7    | AP8150462  | Seegerring d9                       | 1     |           |
| 8    | 2B001009   | Pin hendel                          | 1     |           |
| 9    | 2B001941   | Trekker commando versn.bak          | 1     |           |
| 9    | 898284     | Plaat voetensteun bestuurder        | 1     |           |
| 10   | AP8221277  | Trekveer voetensteun                | 1     |           |
| 11   | AP8110053  | Sfeervormig buigpunt li M6          | 1     |           |
| 12   | 856796     | Staaaf overbrenging versnellingsbak | 1     |           |
| 13   | 886665     | Pin                                 | 1     |           |
| 14   | AP8150044  | Binnenzeskantbout M6x20             | 1     |           |
| 15   | AP9100477  | O-ring 18x2                         | 2     |           |
| 16   | AP8150026  | Moer M6                             | 1     |           |
| 17   | 887280     | Trekker commando versn.bak          | 1     |           |
| 18   | AP8210007  | Sfeervormig buigpunt re M6          | 1     |           |

|                     |           |
|---------------------|-----------|
| <b>Groep</b>        | Motor     |
| <b>Code</b>         | 03.030    |
| <b>Beschrijving</b> | Carters I |
| <b>Revisie</b>      | 1         |



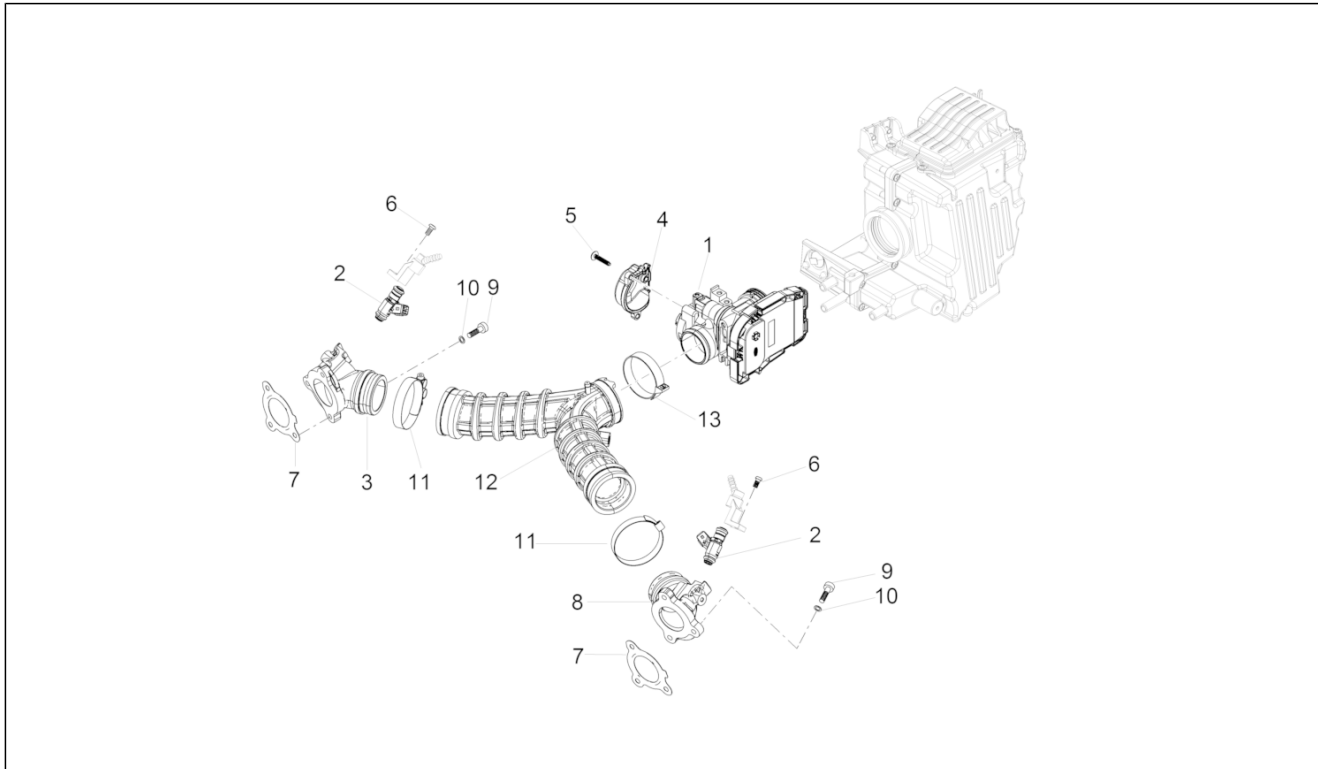
| Pos. | Code       | Beschrijving                                       | Aant. | Varianten |
|------|------------|--|-------|-----------|
| 1    | 1A004550   | Pan oil  | 1     |           |
| 2    | 1A005211   | Pakking oliecarter                                 | 1     |           |
| 3    | GU19003800 | Verbinding   | 1     |           |
| 4    | 1A006047   | Verbindingsbuis                                    | 2     |           |
| 5    | 658837     | Elastische gegolfde sluitring D15 F8,4 S1,5 - INOX | 6     |           |
| 6    | GU92606208 | Moer M8x1,25                                       | 6     |           |
| 7    | 1A006656   | Moer geflenst M10x1                                | 4     |           |
| 8    | 1A006655   | Vlakke rondel                                      | 4     |           |
| 9    | GU19018920 | Plug   | 2     |           |
| 10   | 1A004530   | Stiftbout  | 4     |           |
| 11   | 831135     | Conische dop M14x1,5                               | 1     |           |
| 12   | GU96451430 | Stiftbout  | 4     |           |
| 13   | 883826     | Invoerdop olie                                     | 1     |           |
| 14   | GU19015020 | Beslagring   | 2     |           |
| 15   | 886365     | Dichtingsring                                      | 1     |           |
| 16   | GU96508055 | Stiftbout  | 2     |           |
| 17   | 1A006283   | Tapeinde juk lang                                  | 4     |           |
| 18   | 1A006284   | Tapeinde juk kort                                  | 4     |           |
| 19   | 1A006860   | Tapeinde juk centraal                              | 2     |           |
| 20   | 484993     | Referentiestift                                    | 2     |           |
| 21   | 1A0069335  | Gekoppelde onderstellen                            | 1     |           |
| 22   | GU31003766 | Afvoerdop olie M10x1                               | 1     |           |
| 23   | GU10528900 | Pakking in aluminium                               | 1     |           |
| 24   | GU98682325 | Binnenzeskantbout M6x25                            | 12    |           |
| 25   | GU90706281 | OR-ring 28,24x2,62                                 | 1     |           |

|                     |            |
|---------------------|------------|
| <b>Groep</b>        | Motor      |
| <b>Code</b>         | 03.050     |
| <b>Beschrijving</b> | Filterkast |
| <b>Revisie</b>      | 1          |



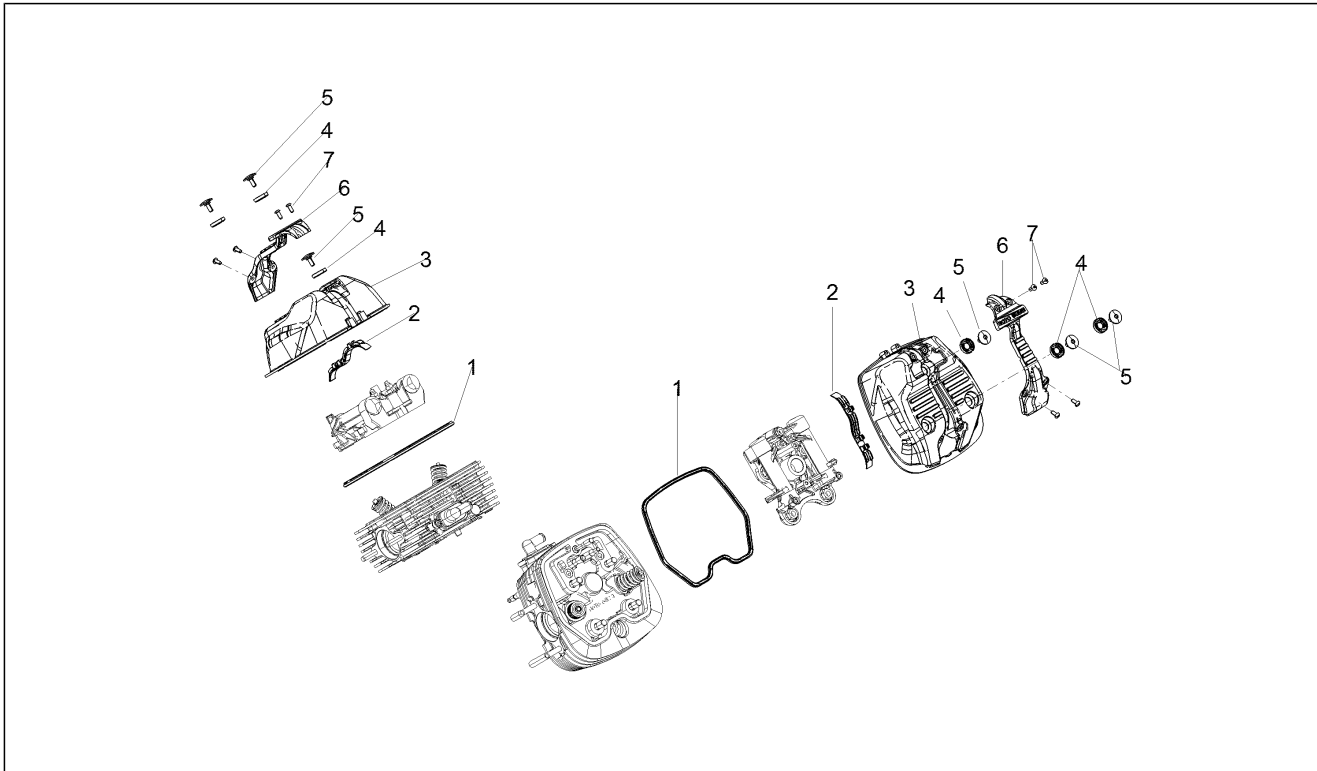
| Pos. | Code       | Beschrijving                  | Aant. | Varianten |
|------|------------|-------------------------------|-------|-----------|
| 1    | AP8152329  | Bout SWP kruiskop gefl. M5x20 | 9     |           |
| 2    | 2B002832   | Bedekking filterkast li       | 1     |           |
| 3    | AP8120455  | Rubbetje                      | 1     |           |
| 4    | AP8104525  | Filter blow-by                | 2     |           |
| 5    | 2B002851   | Diafragma                     | 1     |           |
| 6    | AP8120615  | Pakking D3                    | 1     |           |
| 7    | AP8104924  | Luchtfilter                   | 1     |           |
| 8    | 887815     | Aanzuigingsmof                | 1     |           |
| 9    | 887843     | Bedekking luchtfilter         | 1     |           |
| 10   | AP8150509  | Zelftap. bout 5x14            | 4     |           |
| 11   | AP8120876  | Sluitdop                      | 2     |           |
| 12   | 887844     | Schaal re filterhuis          | 1     |           |
| 13   | 890760     | Steun connector               | 1     |           |
| 14   | 2B002959   | Complete filterkist           | 1     |           |
| 15   | AP8102520  | Klembandje buis               | 2     |           |
| 16   | AP8161054  | Kapje                         | 2     |           |
| 17   | CM258303   | Klemmetje 63                  | 1     |           |
| 18   | AP8221023  | 'T'-vormige huls              | 2     |           |
| 19   | GU91551010 | Rubbetje 10X20X10             | 2     |           |

|                     |             |
|---------------------|-------------|
| <b>Groep</b>        | Motor       |
| <b>Code</b>         | 03.060      |
| <b>Beschrijving</b> | Vlinderromp |
| <b>Revisie</b>      | 1           |



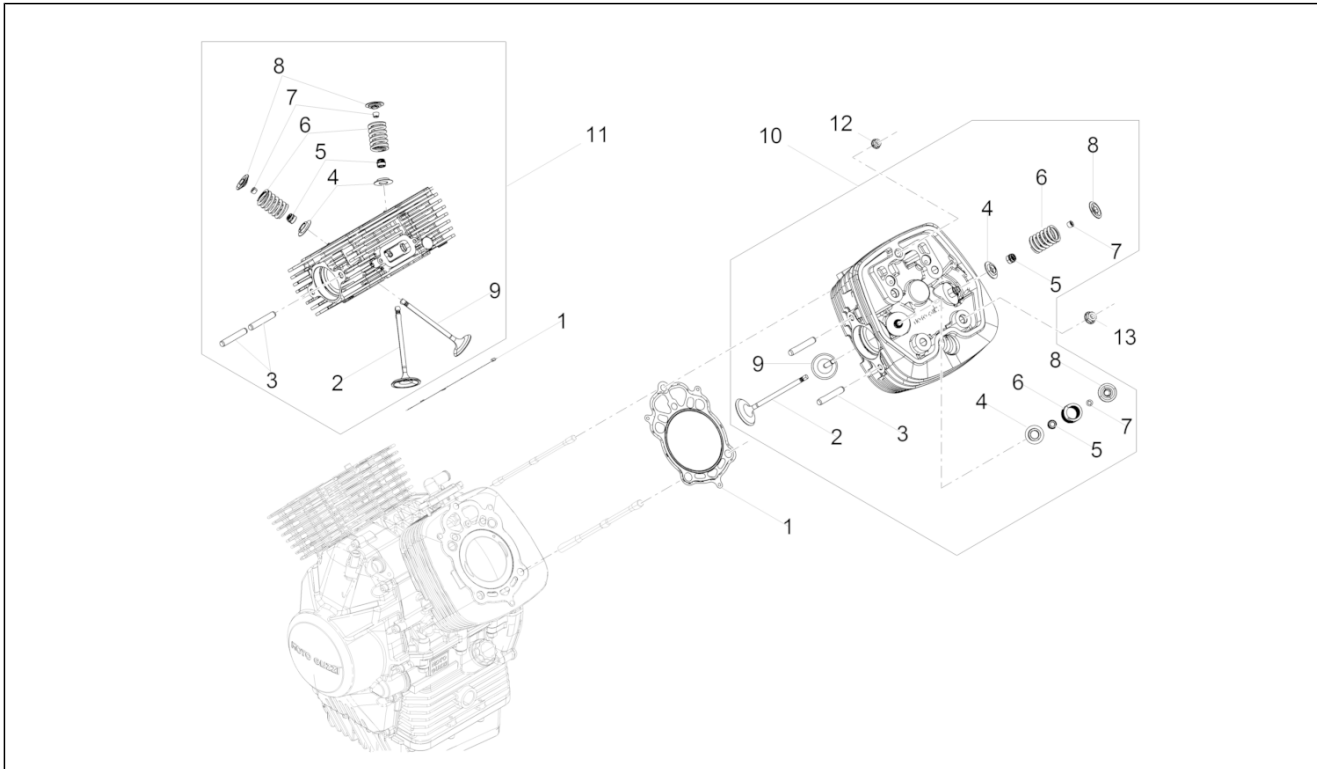
| Pos. | Code       | Beschrijving                   | Aant. | Varianten |
|------|------------|--------------------------------|-------|-----------|
| 1    | CM275405   | Smoorklephuis C.D.I.           | 1     |           |
| 2    | 1D001393   | Injector                       | 2     |           |
| 3    | 2A000609   | Verbinding re                  | 1     |           |
| 4    | 880260     | Bescherming romp v.            | 1     |           |
| 5    | B016796    | Bolschroef torx                | 3     |           |
| 6    | AP8150500  | Bolbout met binnenzeskant M5x9 | 2     |           |
| 7    | 2A000612   | Pakking verbinding inlaat      | 2     |           |
| 8    | 2A000608   | Verbinding li                  | 1     |           |
| 9    | GU98622322 | Bout                           | 6     |           |
| 10   | GU03013800 | Sluitring 6,4x12               | 6     |           |
| 11   | CM258301   | Klemmetje                      | 2     |           |
| 12   | 2B001823   | Mof smoorklephuis              | 1     |           |
| 13   | CM258301   | Klemmetje                      | 1     |           |

|                     |           |
|---------------------|-----------|
| <b>Groep</b>        | Motor     |
| <b>Code</b>         | 03.090    |
| <b>Beschrijving</b> | Kopdeksel |
| <b>Revisie</b>      | 1         |



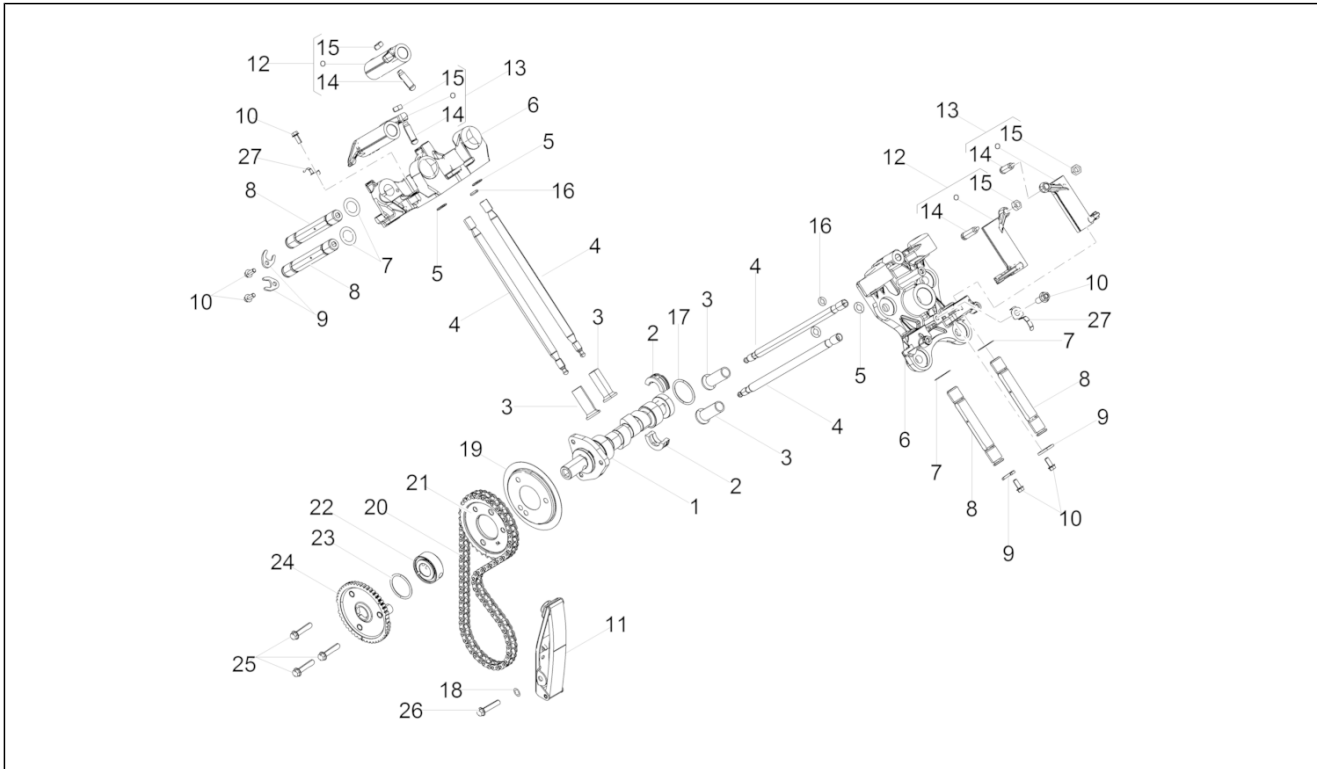
| Pos. | Code      | Beschrijving                             | Aant. | Varianten |
|------|-----------|--|-------|-----------|
| 1    | 2A000565  | Pakking bedekking kop                    | 2     |           |
| 2    | 2A000659  | Kabelwartel                              | 2     |           |
| 3    | 2A000339  | Kopdeksel                                | 2     |           |
| 4    | 1A006716  | Buffer demper                            | 6     |           |
| 5    | 976591    | Speciale bout                            | 6     |           |
| 6    | 2A000620  | Bedekking bougie                         | 2     |           |
| 7    | AP8152267 | Speciale bolbout met binnenzeskant M5x12 | 8     |           |

|                     |               |
|---------------------|---------------|
| <b>Groep</b>        | Motor         |
| <b>Code</b>         | 03.100        |
| <b>Beschrijving</b> | Kop - kleppen |
| <b>Revisie</b>      | 1             |



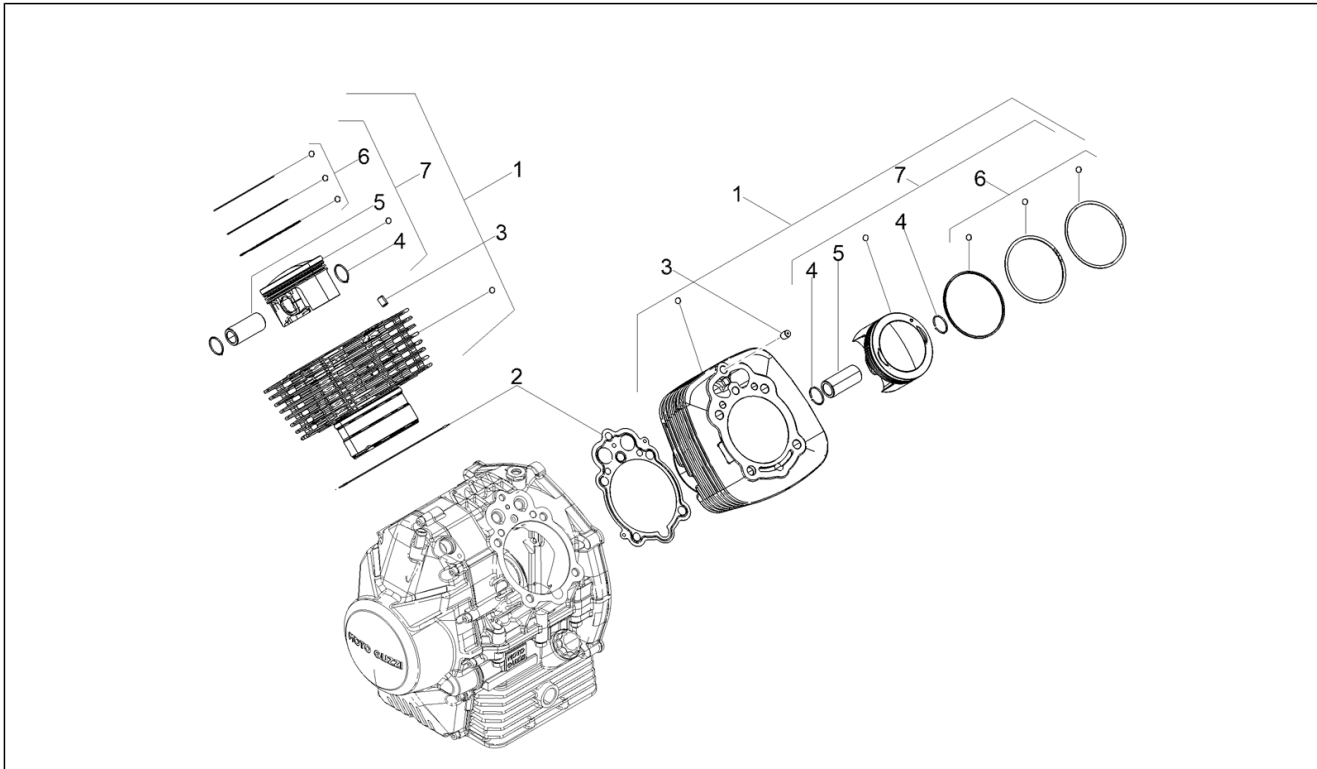
| Pos. | Code      | Beschrijving                       | Aant. | Varianten |
|------|-----------|------------------------------------|-------|-----------|
| 1    | 1A006543  | Guarnizione testa-cilindro sp. 1,0 | 1     |           |
| 1    | 1A006542  | Guarnizione testa-cilindro sp. 0,8 | 1     |           |
| 1    | 1A006541  | Guarnizione testa-cilindro sp. 0,6 | 1     |           |
| 2    | 1A005424  | Aanzuigklep                        | 1     |           |
| 3    | B017636   | Stiftbout uitlaat                  | 2     |           |
| 4    | 1A004751  | Veerplaat ond.                     | 4     |           |
| 5    | 1A003452  | Dichtingsring klep                 | 2     |           |
| 6    | 1A004752  | Spanveer                           | 2     |           |
| 7    | 871640    | Halfconus                          | 8     |           |
| 8    | 1A004750  | Veerplaat bov.                     | 4     |           |
| 9    | 1A005425  | Exhaust valve                      | 1     |           |
| 10   | 1A0068695 | Kop cilinder li cpl.               | 1     |           |
| 11   | 1A0068705 | Kop cilinder re cpl.               | 1     |           |
| 12   | 1A006659  | Moer geflenst M8x1.25              | 1     |           |
| 13   | 825694    | Moer M10x1,25                      | 1     |           |

|                     |               |
|---------------------|---------------|
| <b>Groep</b>        | Motor         |
| <b>Code</b>         | 03.120        |
| <b>Beschrijving</b> | Timing system |
| <b>Revisie</b>      | 1             |



| Pos. | Code       | Beschrijving                       | Aant. | Varianten |
|------|------------|------------------------------------|-------|-----------|
| 1    | 1A005712   | Nokkenas                           | 1     |           |
| 2    | GU19055700 | Sector blokk.                      | 2     |           |
| 3    | GU19045861 | Kleplicht.                         | 4     |           |
| 4    | 2A000496   | Staafl balanceringen               | 4     |           |
| 5    | 2A000579   | O-Ring dichting 2,62x9.19          | 4     |           |
| 6    | 2A0003535  | Steun balanceringen                | 2     |           |
| 7    | 1A005951   | Elastische kromme sluitring        | 4     |           |
| 8    | 2A000528   | Pin balancering                    | 4     |           |
| 9    | 2A000521   | Vork                               | 4     |           |
| 10   | AP8152272  | Zeskantbout geflenst M5x12         | 4     |           |
| 11   | GU19058220 | Kettingspanner distr.              | 1     |           |
| 12   | 1A004905   | Tuimelaar aanzuiging re uitlaat li | 2     |           |
| 13   | 1A004903   | Tuimelaar aanzuiging li uitlaat re | 2     |           |
| 14   | 1A004907   | Regelbout                          | 2     |           |
| 15   | GU10034100 | Moer                               | 2     |           |
| 16   | 1A006861   | Dichtingsring                      | 2     |           |
| 17   | GU90353029 | Elastische ring                    | 1     |           |
| 18   | GU95129115 | Sluitring                          | 1     |           |
| 19   | 1A005955   | Staalplaatje                       | 2     |           |
| 20   | GU19058021 | Distributieketting                 | 1     |           |
| 21   | 1A006243   | Distributiekroon                   | 1     |           |
| 22   | 1A006119   | Afstandhouder                      | 1     |           |
| 23   | 1A006127   | O-ring                             | 1     |           |
| 24   | 1A0057145  | Geluidswiel                        | 1     |           |
| 25   | 1A008576   | ***FLANGED HEXAGONAL HEAD SCREW    | 3     |           |
| 26   | GU98882316 | Bout                               | 1     |           |
| 27   | 2A000527   | Staalplaatje                       | 2     |           |

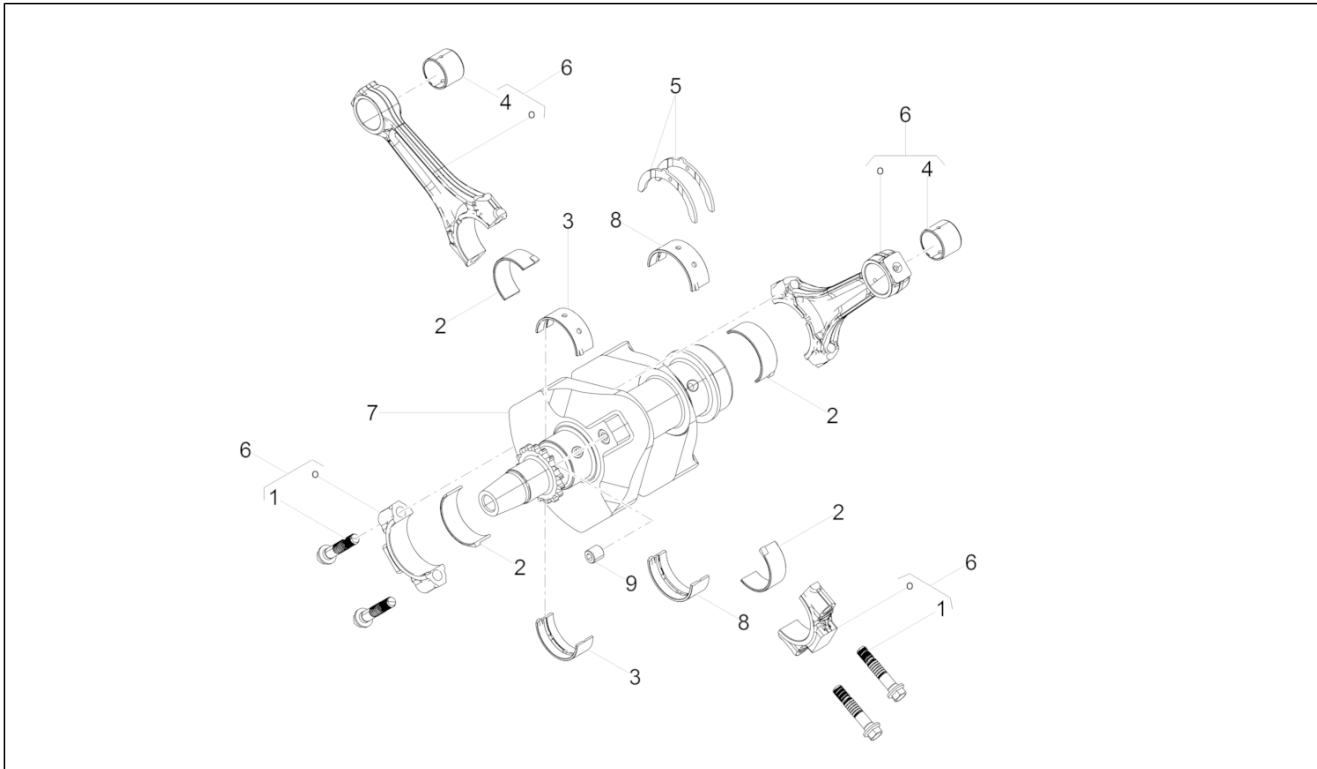
|                     |                 |
|---------------------|-----------------|
| <b>Groep</b>        | Motor           |
| <b>Code</b>         | 03.150          |
| <b>Beschrijving</b> | Cilinder-Zuiger |
| <b>Revisie</b>      | 1               |



| Pos. | Code       | Beschrijving            | Aant. | Varianten |
|------|------------|-------------------------|-------|-----------|
| 1    | 1A0090945  | [...]                   | 2     |           |
| 2    | 1A007070   | Pakking cilinder/carter | 2     |           |
| 3    | GU19021360 | Beslagring              | 2     |           |
| 4    | 874567     | Blokkeerring            | 4     |           |
| 5    | 1A004956   | Zuigerpen               | 2     |           |
| 6    | B063466    | Kit elastische banden   | 2     |           |
| 7    | 1A0065490G | Pistone completo cat.G  | 1     |           |
| 7    | 1A0065490H | Pistone completo cat.H  | 1     |           |
| 7    | 1A0065490L | Pistone completo cat.L  | 1     |           |
| 7    | 1A0065490M | Pistone completo cat.M  | 1     |           |

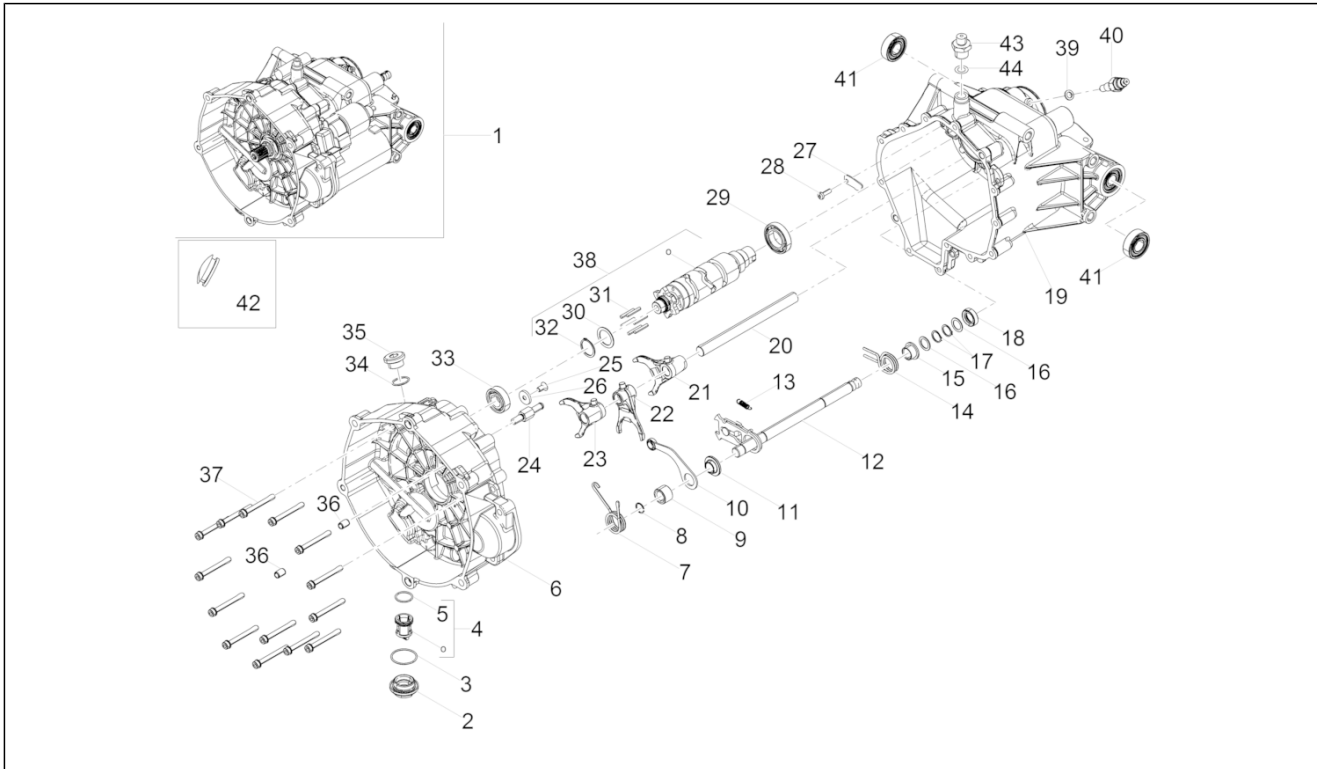


|                     |          |
|---------------------|----------|
| <b>Groep</b>        | Motor    |
| <b>Code</b>         | 03.160   |
| <b>Beschrijving</b> | Drijfjas |
| <b>Revisie</b>      | 1        |



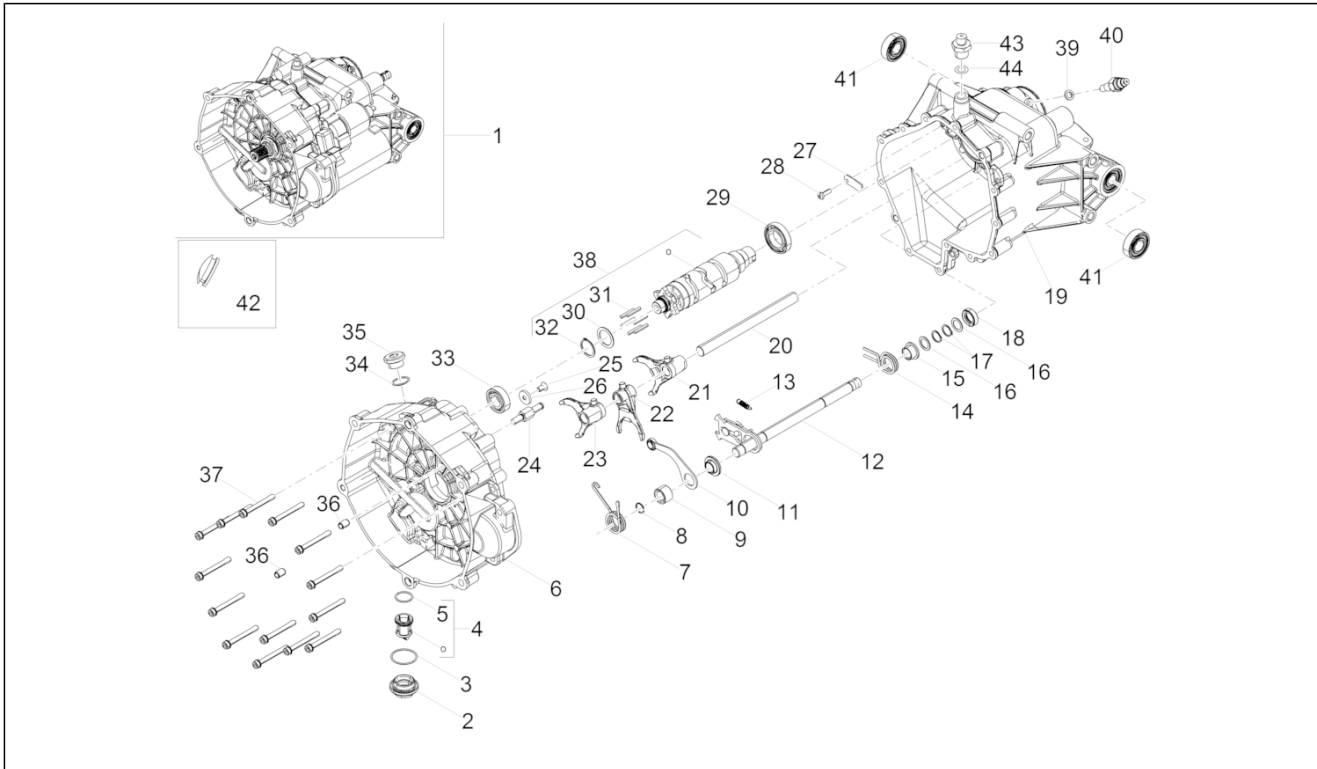
| Pos. | Code       | Beschrijving                   | Aant. | Varianten |
|------|------------|--------------------------------|-------|-----------|
| 1    | GU19062261 | Bout                           | 4     |           |
| 2    | 1A0068960G | Drijfstanglagerschaal geel     | 4     |           |
| 2    | 1A0068960R | Drijfstanglagerschaal rood     | 4     |           |
| 2    | 1A0068960B | Drijfstanglagerschaal blauw    | 4     |           |
| 3    | 1A0066680G | Hoofdlagerschaal voor. geel    | 1     |           |
| 3    | 1A0066680N | Hoofdlagerschaal voor. zwart   | 1     |           |
| 3    | 1A0066680V | Hoofdlagerschaal voor. groen   | 1     |           |
| 4    | GU27061885 | Beslagring                     | 2     |           |
| 5    | GU27066460 | Halfsluitring                  | 2     |           |
| 6    | 1A005325BB | Drijfstang klasse selectie "B" | 1     |           |
| 6    | 1A005325AA | Drijfstang klasse selectie "A" | 1     |           |
| 7    | 1A006600BB | Drijfjas cpl.cat.2             | 1     |           |
| 7    | 1A006600AA | Drijfjas cpl.cat.1             | 1     |           |
| 8    | 1A0066690G | Hoofdlagerschaal acht. geel    | 2     |           |
| 8    | 1A0066690V | Hoofdlagerschaal acht. groen   | 2     |           |
| 8    | 1A0066690N | Hoofdlagerschaal acht. zwart   | 2     |           |
| 9    | GU19065400 | Dop                            | 1     |           |

|                     |   |
|---------------------|---|
| <b>Groep</b>        | Motor   |
| <b>Code</b>         | 03.170  |
| <b>Beschrijving</b> | Versnellingsbak / Keuzeschakelaar / Shift cam |
| <b>Revisie</b>      | 1   |



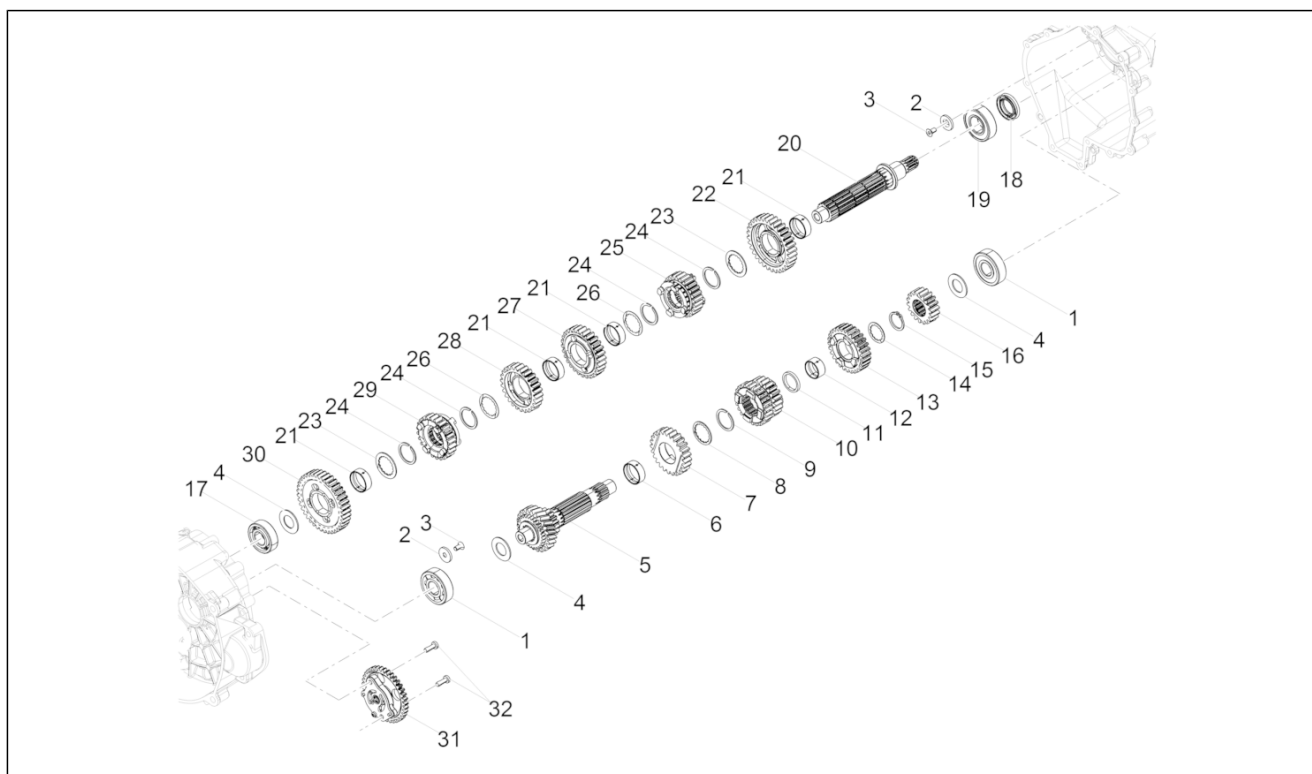
| Pos. | Code       | Beschrijving             | Aant. | Varianten                               |
|------|------------|--------------------------|-------|---|
| 1    | 2A0008365  | Complete versnellingsbak | 1     |   |
| 2    | B015598    | Dop oliefilter           | 1     |   |
| 3    | 285536     | OR-ring 31,47x1,78       | 1     |   |
| 4    | B018020    | Oliefilter cpl.          | 1     |   |
| 5    | B017406    | OR-ring 20.35x1.78       | 1     |   |
| 6    | 2A0007505  | Koppelingsblok           | 1     | <b>Technische specificatie:OLD[OLD]</b> |
| 6    | 2A0009105  | Koppelingsblok           | 1     | <b>Technische specificatie:NEW[NEW]</b> |
| 7    | B064113    | Veer index               | 1     |   |
| 8    | GU90353014 | Seegerring               | 1     |   |
| 9    | GU05234230 | Afstandhouder            | 1     |   |
| 10   | B064112    | Hendel index cpl.        | 1     |   |
| 11   | GU05238431 | Beslagring               | 1     |   |
| 12   | 2A000219   | Voorschakelaar cpl.      | 1     |   |
| 13   | GU05238231 | Veer                     | 1     |   |
| 14   | B063956    | Trekveer schakelaar      | 1     |   |
| 15   | 2A000467   | Afstandhouder            | 1     |   |
| 16   | GU05239330 | Koppelschotel            | 2     |   |
| 17   | GU90271014 | Seegerring               | 2     |   |
| 18   | GU90401424 | Dichtingsring 14x24x7    | 1     |   |
| 19   | 2A0007425  | Not available            | 1     | <b>Technische specificatie:OLD[OLD]</b> |
| 19   | 2A0009085  | Not available            | 1     | <b>Technische specificatie:NEW[NEW]</b> |
| 20   | 2A000224   | Staaaf                   | 1     |   |
| 21   | 2A000226   | Vork 2-3 snelh.          | 1     |   |
| 22   | 2A000227   | Vork 5-6 versn.          | 1     |   |
| 23   | 2A000225   | Vork voor secundaire as  | 1     |   |
| 24   | 2A000415   | Blokkeerbout             | 1     |   |
| 25   | B013608    | Bout TSEI                | 1     |   |
| 26   | 873905     | Rondel                   | 1     |   |

|                     |   |
|---------------------|---|
| <b>Groep</b>        | Motor   |
| <b>Code</b>         | 03.170  |
| <b>Beschrijving</b> | Versnellingsbak / Keuzeschakelaar / Shift cam |
| <b>Revisie</b>      | 1   |



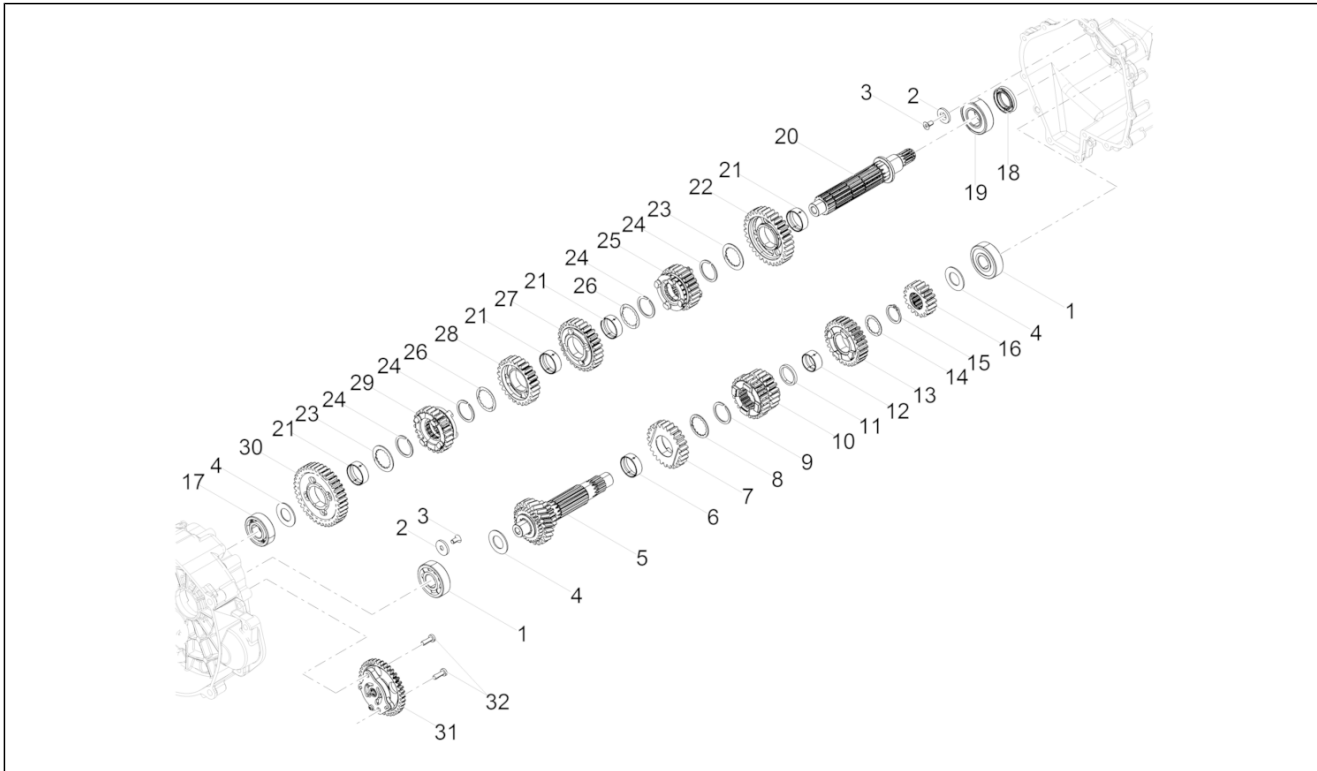
| Pos. | Code       | Beschrijving                     | Aant. | Varianten |
|------|------------|----------------------------------|-------|-----------|
| 27   | 2A000306   | Plaatje blokk.                   | 1     |           |
| 27   | 2A000241   | Bout torx M5x16                  | 1     |           |
| 28   | 2A000241   | Bout torx M5x16                  | 1     |           |
| 29   | 857250     | Kogellager 25x42x9               | 1     |           |
| 30   | GU05235531 | Dikte                            | 1     |           |
| 31   | GU05234631 | Pin                              | 6     |           |
| 32   | GU90271022 | Seegerring                       | 1     |           |
| 33   | 834764     | Lager                            | 1     |           |
| 34   | GU90706203 | OR-ring 20,24X2,62               | 1     |           |
| 35   | GU12022600 | Oliedop                          | 1     |           |
| 36   | GU19002020 | Beslagring 6,6x9x13              | 2     |           |
| 37   | 2A000591   | Speciale binnenzeskantbout M6x55 | 14    |           |
| 38   | 2A000222   | Shift cam cpl.                   | 1     |           |
| 39   | B063025    | Pakking 8,7x14,2x1,3             | 1     |           |
| 40   | B063269    | Sensor vrij                      | 1     |           |
| 41   | 2A000097   | Kogellager 6202-2RSH/C3 LHT23    | 2     |           |
| 42   | GU93180220 | Dop                              | 1     |           |
| 43   | 2A000438   | Dop ontluchting                  | 1     |           |
| 44   | GU01528930 | Pakking 10x18x1,5                | 1     |           |

|                     |                                 |
|---------------------|---------------------------------|
| <b>Groep</b>        | Motor                           |
| <b>Code</b>         | 03.180                          |
| <b>Beschrijving</b> | Versnellingsbak - Gear assembly |
| <b>Revisie</b>      | 1                               |



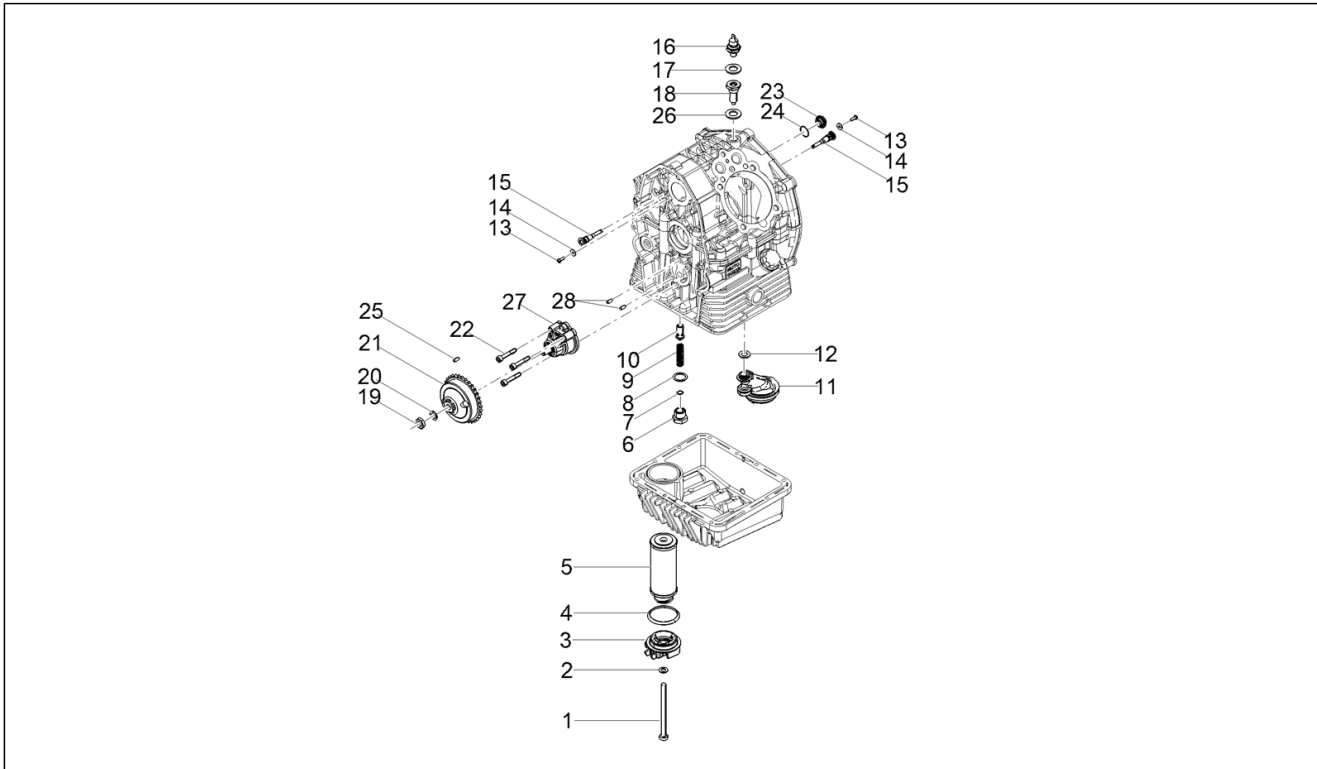
| Pos. | Code       | Beschrijving                 | Aant. | Varianten |
|------|------------|------------------------------|-------|-----------|
| 1    | GU92201822 | Kogellager 20x52x15          | 2     |           |
| 2    | 873928     | Rondel                       | 2     |           |
| 3    | B013608    | Bout TSEI                    | 2     |           |
| 4    | 1A000566   | Steuring                     | 1     |           |
| 5    | 2A000625   | Primaire as                  | 1     |           |
| 6    | 849308     | Zwevende beslagring          | 1     |           |
| 7    | 1A000360   | Raderwerk 5de snelheid'      | 1     |           |
| 8    | 849424     | Steunende sluitring          | 1     |           |
| 9    | 1A002604   | Elastische ring voor assen   | 1     |           |
| 10   | 1A000436   | Sliding pinion 3a - 4a vel.  | 1     |           |
| 11   | B015040    | Steuring                     | 1     |           |
| 12   | 974162     | Zwevende beslagring          | 1     |           |
| 13   | 2A000627   | Raderw. 6e                   | 1     |           |
| 14   | 849396     | Steunende sluitring          | 1     |           |
| 15   | 974165     | Elastische ring              | 1     |           |
| 16   | 1A000365   | Raderw.2e op prim.           | 1     |           |
| 17   | 848650     | Kogellager 20x47x14          | 1     |           |
| 18   | GU90412541 | Dichtingsring 25X40X7        | 1     |           |
| 19   | GU92201226 | Kogellager 25x52x15          | 1     |           |
| 20   | 2A000203   | Secundaire versnellingsbakas | 1     |           |
| 21   | 849308     | Zwevende beslagring          | 4     |           |
| 22   | 1A000366   | Gear Z=32                    | 1     |           |
| 23   | 849309     | Steunende sluitring          | 2     |           |
| 24   | 1A002604   | Elastische ring voor assen   | 4     |           |
| 25   | 1A000370   | Raderw. 6e Z=24              | 1     |           |
| 26   | 849310     | Steunende sluitring          | 2     |           |
| 27   | 1A000367   | Gear Z=28                    | 1     |           |
| 28   | 1A000368   | Gear Z=26                    | 1     |           |

|                     |                                 |
|---------------------|---------------------------------|
| <b>Groep</b>        | Motor                           |
| <b>Code</b>         | 03.180                          |
| <b>Beschrijving</b> | Versnellingsbak - Gear assembly |
| <b>Revisie</b>      | 1                               |



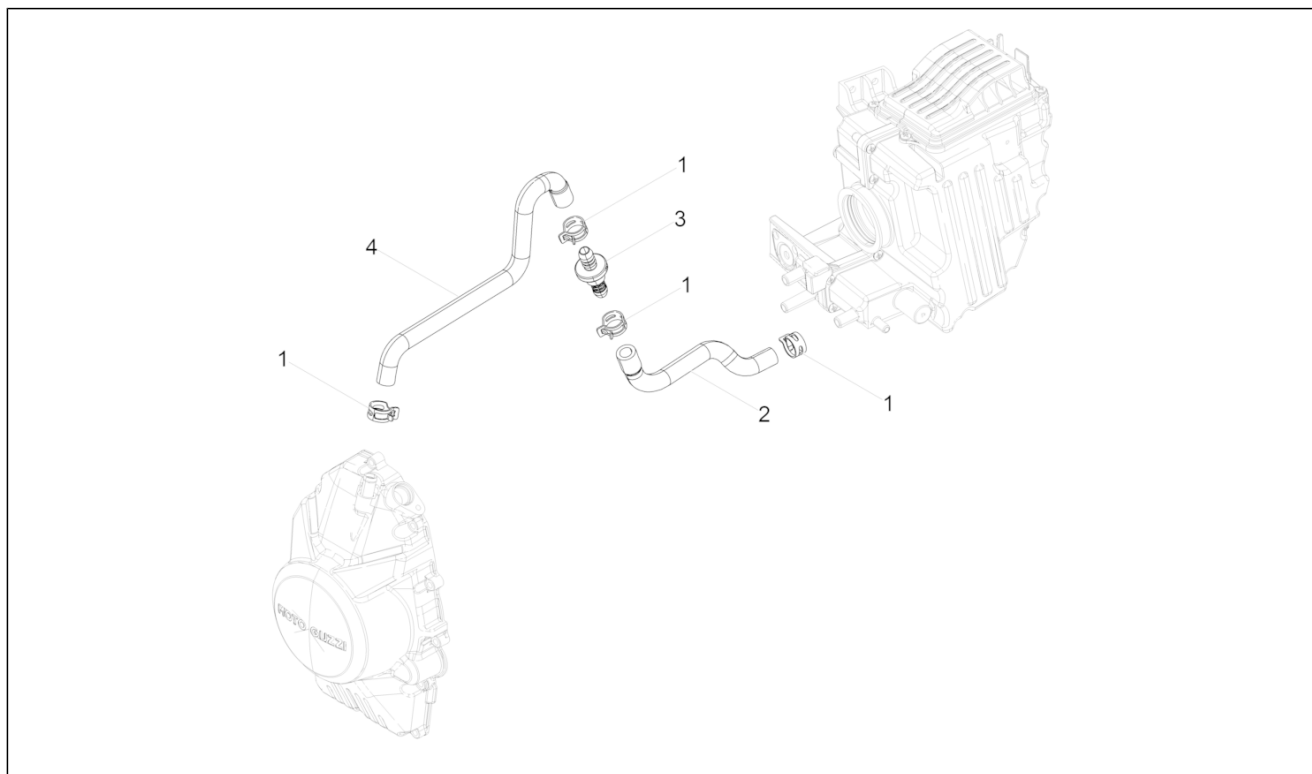
| Pos. | Code     | Beschrijving    | Aant. | Varianten |
|------|----------|-----------------|-------|-----------|
| 29   | 1A000369 | Gear wheel Z=24 | 1     |           |
| 30   | 2A000629 | 1st gear        | 1     |           |
| 31   | B018448  | Oliepomp cpl.   | 1     |           |
| 32   | 2A000241 | Bout torx M5x16 | 2     |           |

|                     |         |
|---------------------|---------|
| <b>Groep</b>        | Motor   |
| <b>Code</b>         | 03.190  |
| <b>Beschrijving</b> | Smering |
| <b>Revisie</b>      | 1       |



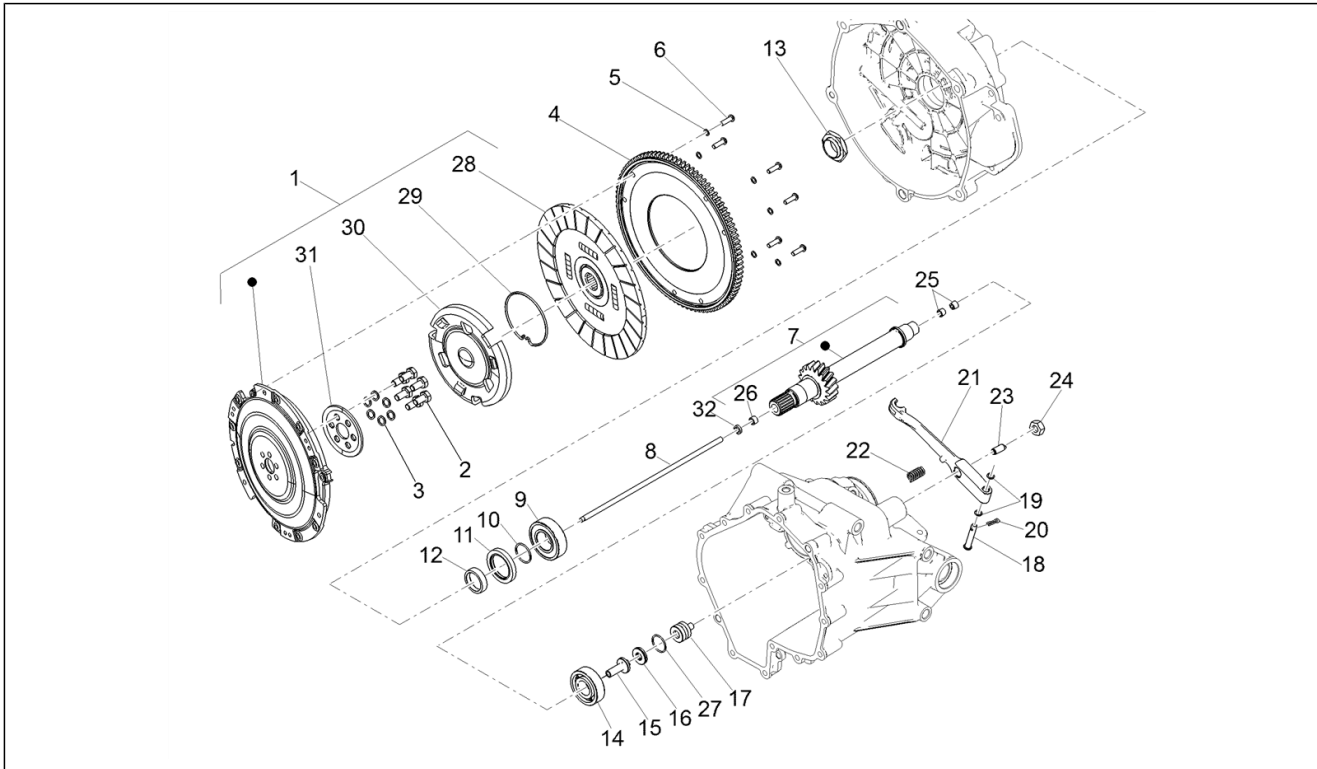
| Pos. | Code       | Beschrijving                          | Aant. | Varianten |
|------|------------|---------------------------------------|-------|-----------|
| 1    | GU27152885 | Schroefbout                           | 1     |           |
| 2    | GU12154200 | Pakking 8,25x15x1                     | 1     |           |
| 3    | 1A005199   | Bedekking oliefilter                  | 1     |           |
| 4    | GU90706444 | OR-ring                               | 1     |           |
| 5    | 2A000633   | Oliefilter                            | 1     |           |
| 6    | GU31159050 | Dop                                   | 1     |           |
| 7    | GU95008206 | Sluitring 6,15x11x0,8                 | 1     |           |
| 8    | GU18144350 | Sluitring 18,25x24x1                  | 3     |           |
| 9    | GU94321079 | Veer                                  | 1     |           |
| 10   | GU31150950 | Zuigertje                             | 1     |           |
| 11   | 1A004549   | Filter                                | 1     |           |
| 12   | 237553     | OR-ring                               | 1     |           |
| 13   | 1A005257   | Bolkopschroef                         | 2     |           |
| 14   | 013763     | Vlakke rondel 4,2x12x1                | 2     |           |
| 15   | 1A004442   | Koeling zuiger                        | 2     |           |
| 16   | 643090     | Sensor min. oliedruk                  | 1     |           |
| 17   | GU95100309 | Sluitring                             | 1     |           |
| 18   | 887093     | Verbinding zender                     | 1     |           |
| 19   | GU92602510 | Moer M10x1,25                         | 1     |           |
| 20   | AP8152220  | Gekart. sluitring                     | 1     |           |
| 21   | GU20147710 | Raderw.pomp                           | 1     |           |
| 22   | 1A007008   | Binnenzeskantbout M6x35 preimpregnata | 3     |           |
| 23   | 826165     | Dop oliefilter                        | 1     |           |
| 24   | 285536     | OR-ring 31,47x1,78                    | 1     |           |
| 25   | GU92296723 | Rol                                   | 1     |           |
| 26   | GU95100602 | Pakking                               | 1     |           |
| 27   | 1A006053   | Oil pump assembly                     | 1     |           |
| 28   | GU19018920 | Plug                                  | 2     |           |

|                     |                |
|---------------------|----------------|
| <b>Groep</b>        | Motor          |
| <b>Code</b>         | 03.196         |
| <b>Beschrijving</b> | Blow-by system |
| <b>Revisie</b>      | 1              |



| Pos. | Code     | Beschrijving            | Aant. | Varianten |
|------|----------|-------------------------|-------|-----------|
| 1    | CM226902 | Klemring met veer 19/12 | 4     |           |
| 2    | 2B003204 | Leiding blow by         | 1     |           |
| 3    | 2B003105 | Blokkeerklap            | 1     |           |
| 4    | 2B002602 | Leiding blow by         | 1     |           |

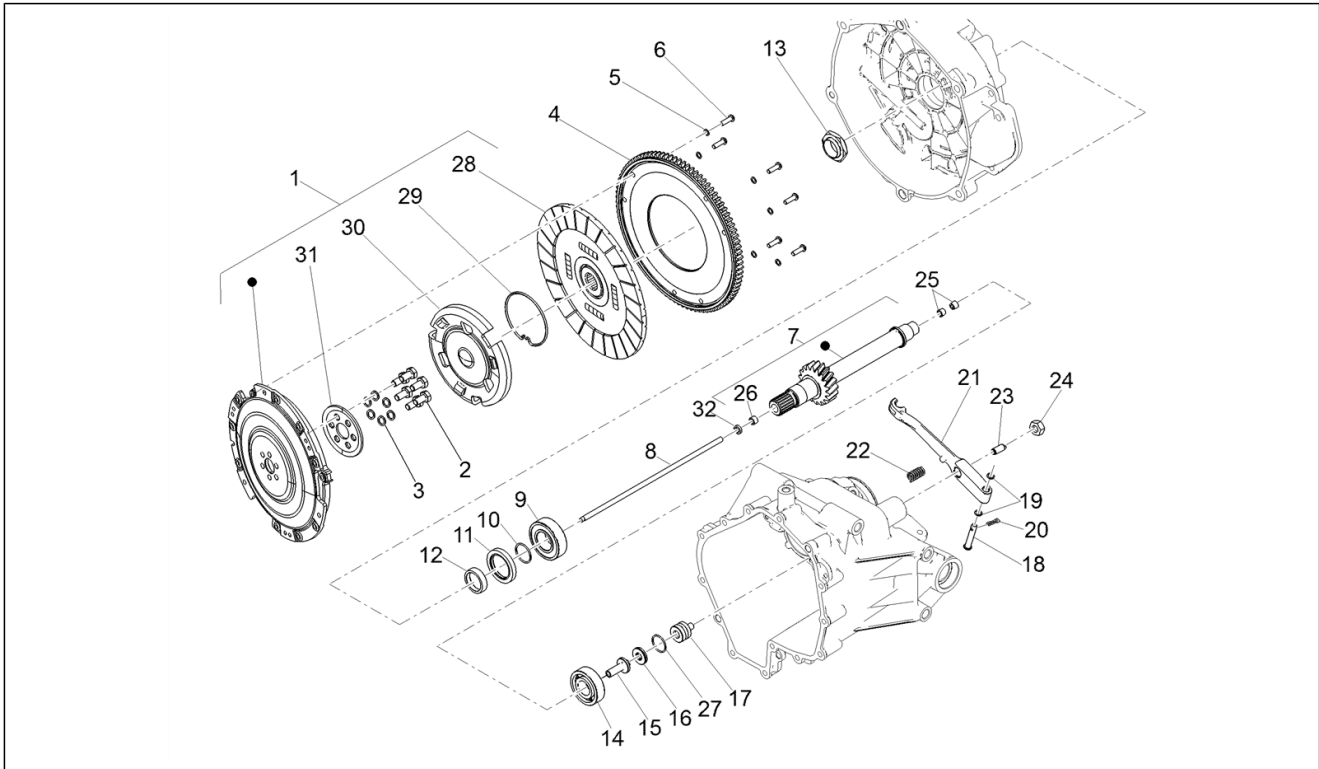
|                     |           |
|---------------------|-----------|
| <b>Groep</b>        | Motor     |
| <b>Code</b>         | 03.230    |
| <b>Beschrijving</b> | Koppeling |
| <b>Revisie</b>      | 1         |



| Pos. | Code       | Beschrijving                         | Aant. | Varianten |
|------|------------|--------------------------------------|-------|-----------|
| 1    | 2A000419   | Groep monoschijf koppelingsgroep cpl | 1     |           |
| 2    | GU19067700 | Bout                                 | 6     |           |
| 3    | GU14615901 | Sluitring 8,4X13X0,8                 | 6     |           |
| 4    | 2A000724   | Getand kroonwiel start               | 1     |           |
| 5    | GU14217901 | Gekart. sluitring 6,4x10x0,7         | 6     |           |
| 6    | 2A000774   |                                      | 6     |           |
| 7    | 2A000790   | Koppelingsas Z=18                    | 1     |           |
| 8    | 2A000216   | Commandostaaf                        | 1     |           |
| 9    | GU92201226 | Kogellager 25x52x15                  | 1     |           |
| 10   | GU90706235 | O-ring 23,52x1,78                    | 1     |           |
| 11   | 886629     | Dichtingsring                        | 1     |           |
| 12   | 1A008627   | Afstandhouder                        | 2     |           |
| 13   | GU19356760 | Veiligheidsmoer                      | 1     |           |
| 14   | 2A000375   | Kogellager                           | 1     |           |
| 15   | B013037    | Romp int.koppeling                   | 1     |           |
| 16   | 2A000376   | Lager drukst.                        | 1     |           |
| 17   | GU14086100 | Externe romnp                        | 1     |           |
| 18   | 2A000384   | Pin hendel                           | 1     |           |
| 19   | 2A000385   | O-ring 6.5x1.5                       | 2     |           |
| 20   | GU95500222 | Splitpen                             | 1     |           |
| 21   | 2A000631   | Ontkoppelingshendel koppeling        | 1     |           |
| 22   | GU94321105 | Trekveer hendel                      | 1     |           |
| 23   | 2A000838   | Registerbout                         | 1     |           |
| 24   | GU92606508 | Moer                                 | 1     |           |
| 25   | GU14085900 | Huls                                 | 2     |           |
| 26   | GU05217630 | Beslagring                           | 1     |           |
| 27   | GU90706170 | O-ring 17,13x2,62                    | 1     |           |
| 28   | 2A000770   | Schijf geleid                        | 1     |           |

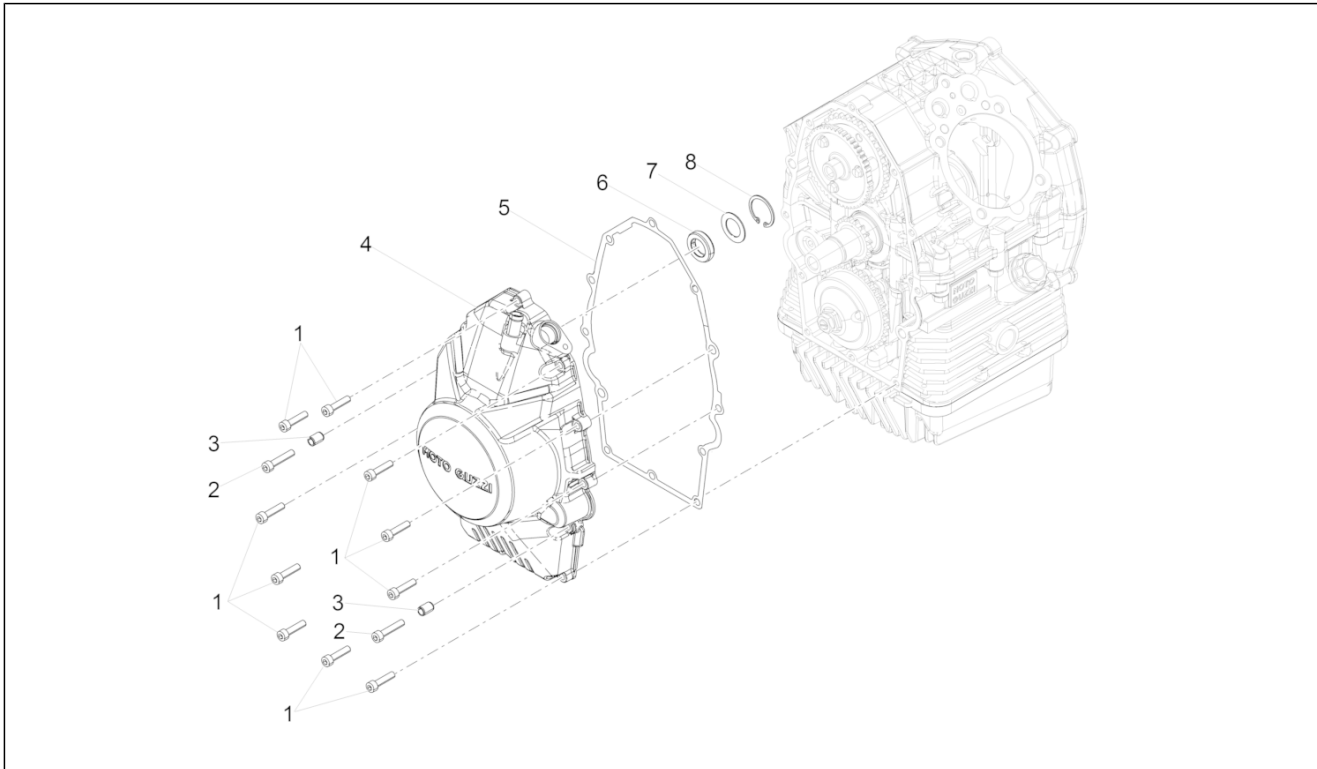


|                     |           |
|---------------------|-----------|
| <b>Groep</b>        | Motor     |
| <b>Code</b>         | 03.230    |
| <b>Beschrijving</b> | Koppeling |
| <b>Revisie</b>      | 1         |



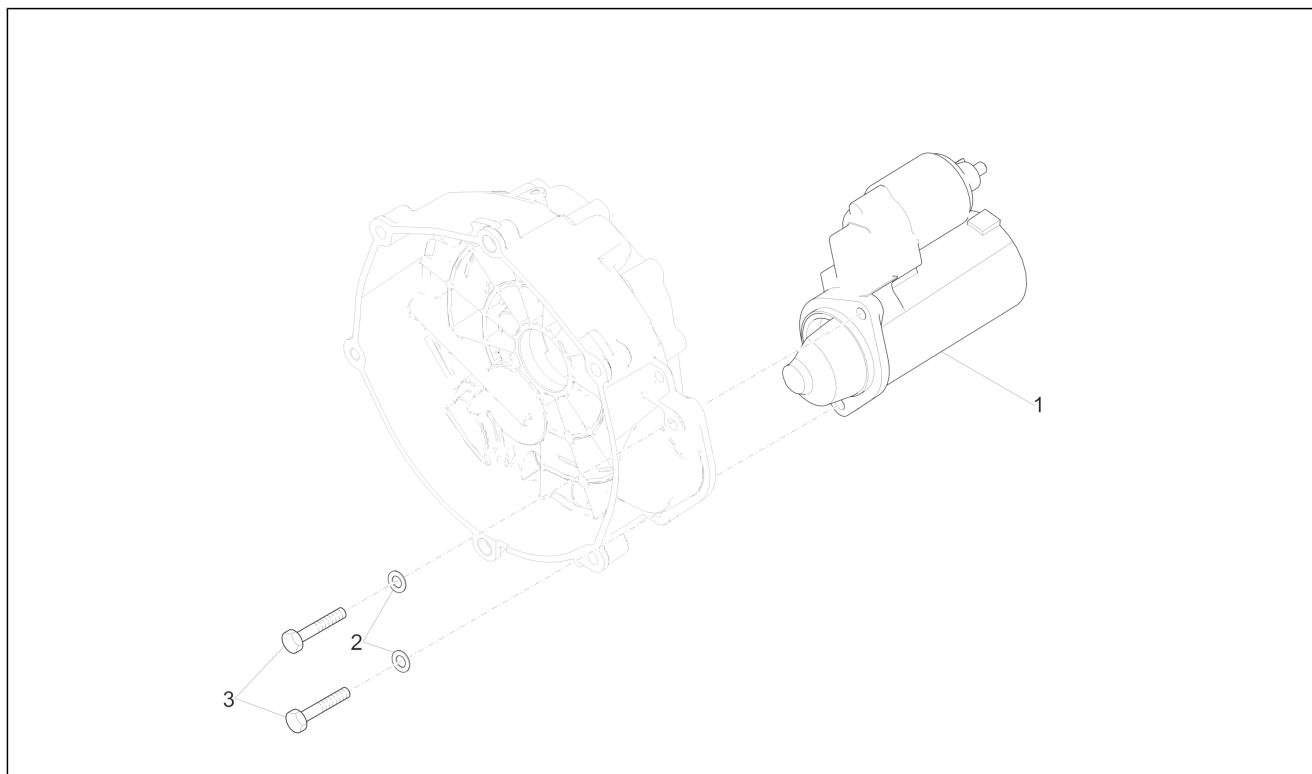
| Pos. | Code     | Beschrijving          | Aant. | Varianten |
|------|----------|-----------------------|-------|-----------|
| 29   | 2A000418 | Ring                  | 1     |           |
| 30   | 2A000638 | Schijf veerblokkering | 1     |           |
| 31   | 2A000741 | Versterking           | 1     |           |
| 32   | 2A000378 | Dichtingsring         | 1     |           |

|                     |                 |
|---------------------|-----------------|
| <b>Groep</b>        | Motor           |
| <b>Code</b>         | 03.270          |
| <b>Beschrijving</b> | Vliegwieldeksel |
| <b>Revisie</b>      | 1               |



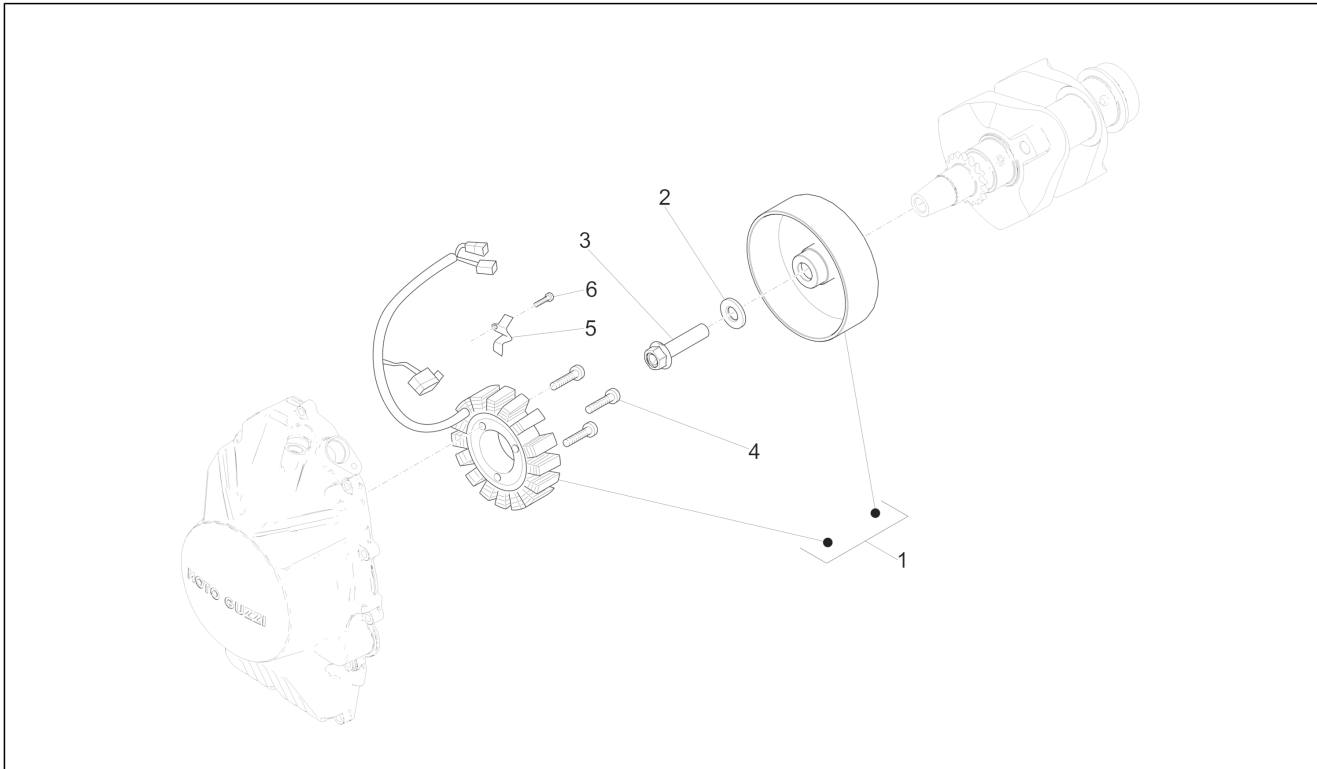
| Pos. | Code       | Beschrijving            | Aant. | Varianten |
|------|------------|-------------------------|-------|-----------|
| 1    | GU98682325 | Binnenzeskantbout M6x25 | 10    |           |
| 2    | GU98682330 | Binnenzeskantbout M6x20 | 2     |           |
| 3    | GU19002020 | Beslagring 6,6x9x13     | 2     |           |
| 4    | 1A006298   | Bedekking generator     | 1     |           |
| 5    | 887003     | Pakking bedekking       | 1     |           |
| 6    | 898268     | Dichtingsring 18x30x7   | 1     |           |
| 7    | 898269     | Steunende sluitring     | 1     |           |
| 8    | 006630     | Elastische ring         | 1     |           |

|                     |                        |
|---------------------|------------------------|
| <b>Groep</b>        | Motor                  |
| <b>Code</b>         | 03.290                 |
| <b>Beschrijving</b> | Start / Electric start |
| <b>Revisie</b>      | 1                      |



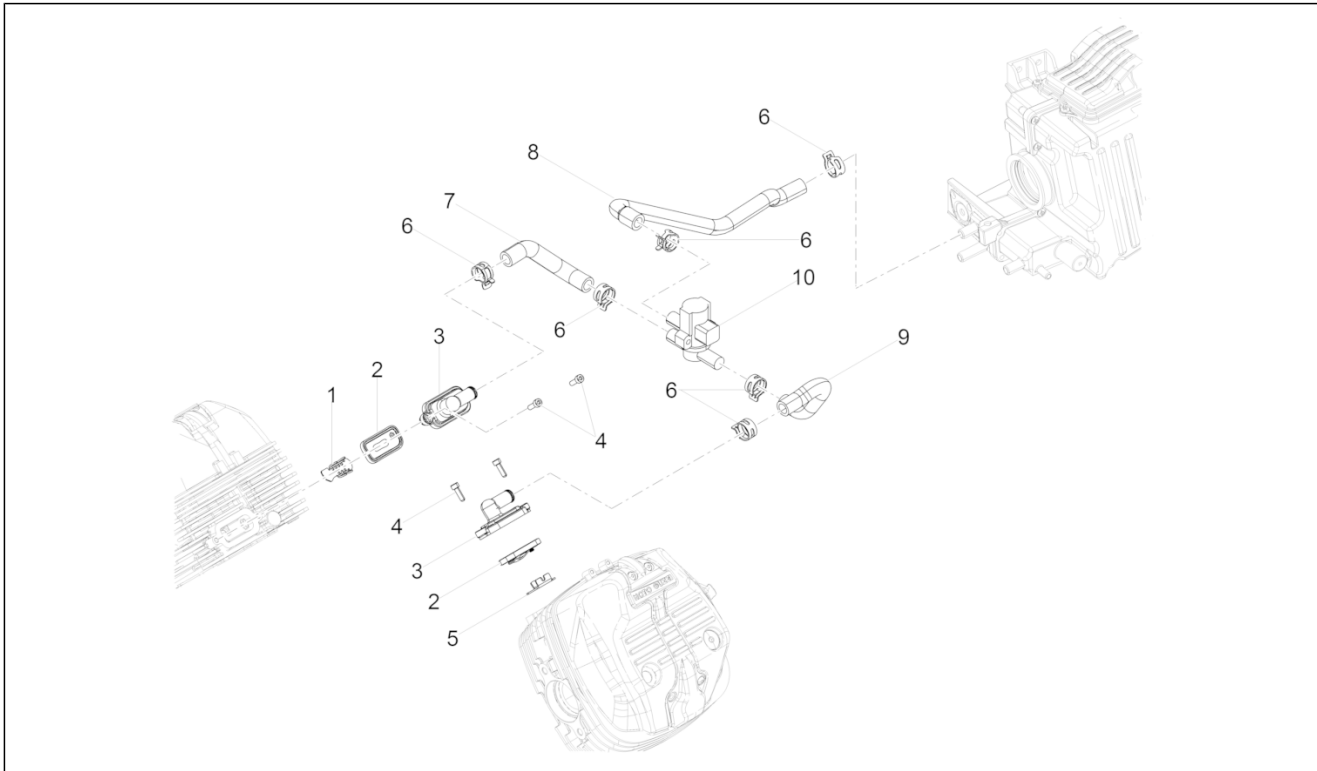
| Pos. | Code       | Beschrijving         | Aant. | Varianten |
|------|------------|----------------------|-------|-----------|
| 1    | 97729R     | Startmotor           | 1     |           |
| 2    | GU95008208 | Sluitring 8,4X15X1,5 | 2     |           |
| 3    | GU98682435 | Binnenzeskantbout    | 2     |           |

|                     |                               |
|---------------------|-------------------------------|
| <b>Groep</b>        | Motor                         |
| <b>Code</b>         | 03.300                        |
| <b>Beschrijving</b> | Vliegwielmagneet / Ontsteking |
| <b>Revisie</b>      | 1                             |



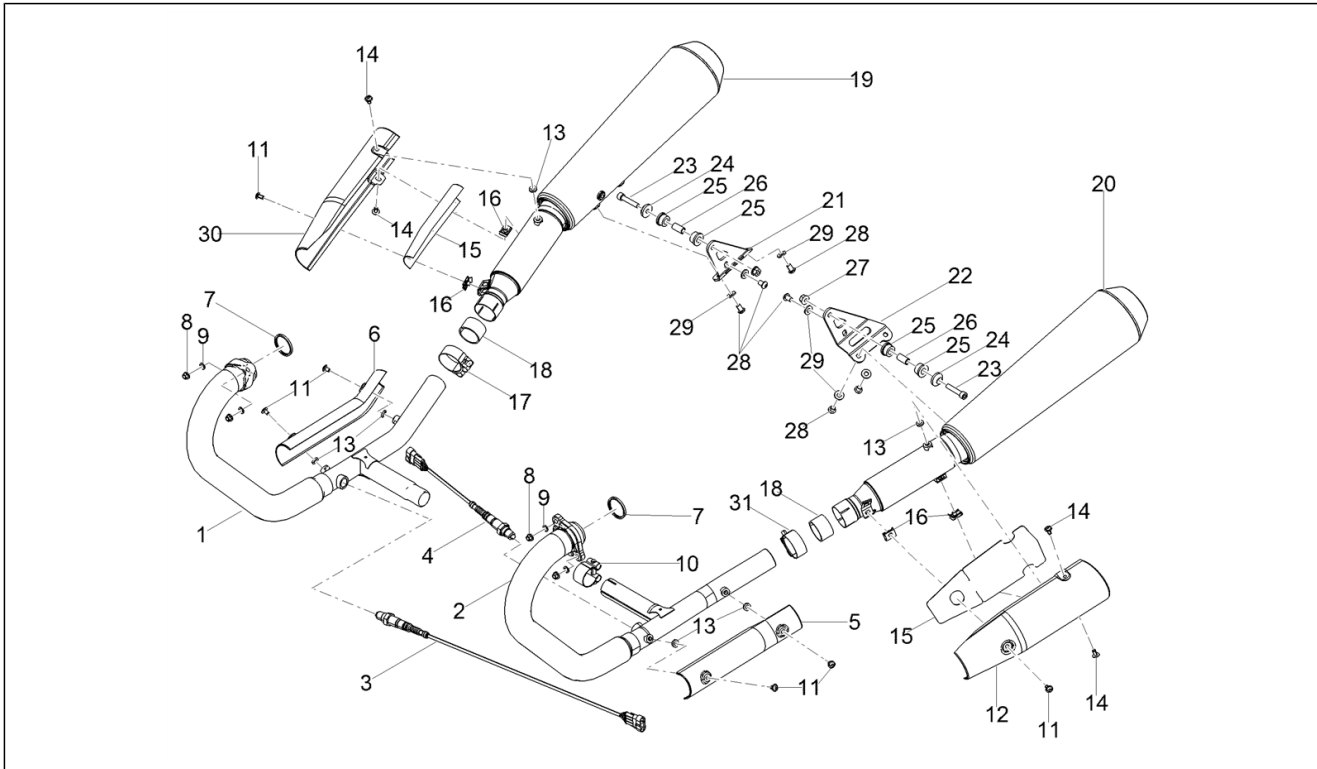
| Pos. | Code       | Beschrijving                     | Aant. | Varianten |
|------|------------|----------------------------------|-------|-----------|
| 1    | 2D000024   | Vliegwielmagneet cpl.            | 1     |           |
| 2    | 897478     | Rondel 12x26.5x3                 | 1     |           |
| 3    | 857206     | Zeskantbout geflenst M12X1,25X50 | 1     |           |
| 4    | 2A000129   | Binnenzeskantbout verlaagd M6x35 | 3     |           |
| 5    | 2A000115   | Plaatje                          | 1     |           |
| 6    | GU98682212 | Binnenzeskantbout M5x12          | 1     |           |

|                     |                  |
|---------------------|------------------|
| <b>Groep</b>        | Motor            |
| <b>Code</b>         | 03.320           |
| <b>Beschrijving</b> | Secundaire lucht |
| <b>Revisie</b>      | 1                |



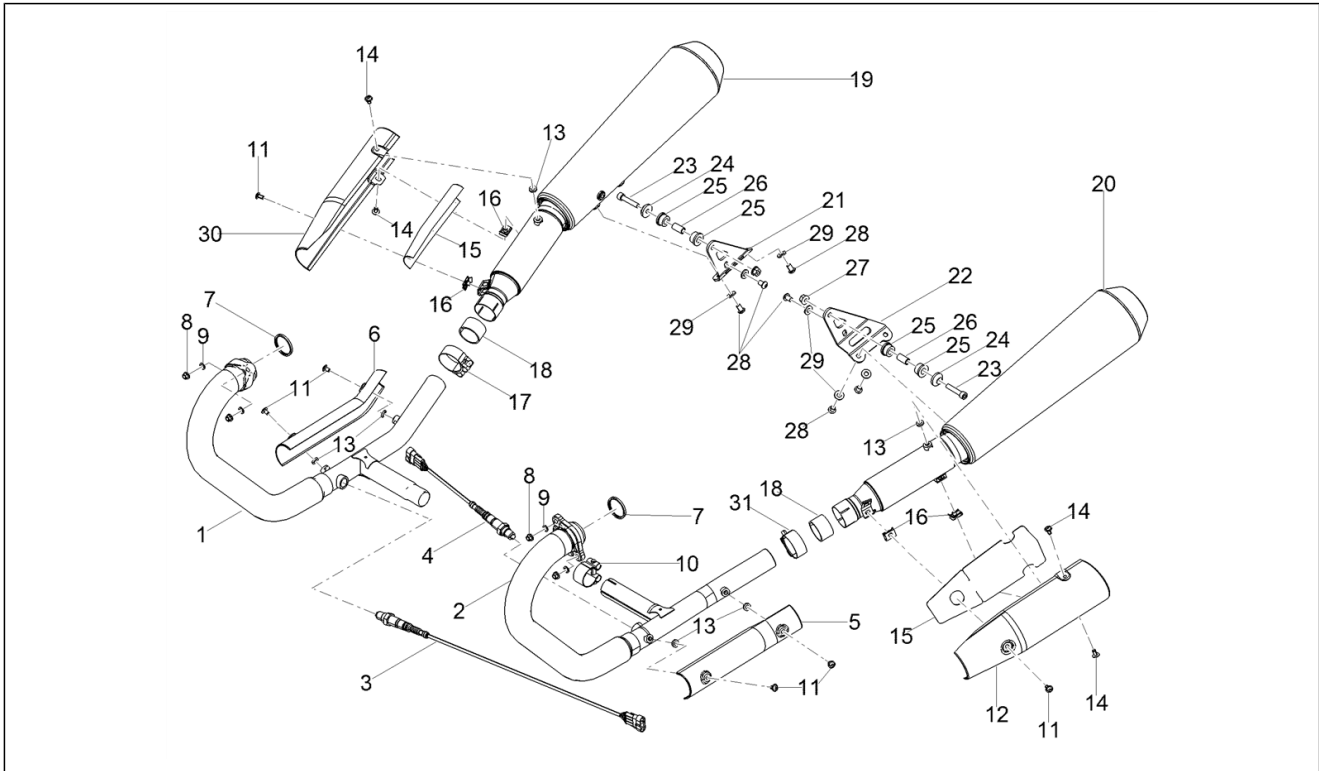
| Pos. | Code       | Beschrijving                | Aant. | Varianten |
|------|------------|-----------------------------|-------|-----------|
| 1    | 857047     | Vlambreker                  | 1     |           |
| 2    | 857045     | Reed valve                  | 2     |           |
| 3    | 2A000597   | Bedekking reed valve        | 1     |           |
| 4    | GU98612216 | Binnenzeskantbout           | 2     |           |
| 5    | 857046     | Vlambreker                  | 1     |           |
| 6    | CM226902   | Klemring met veer 19/12     | 6     |           |
| 7    | 2B002529   | Buis re "S.A.S."            | 1     |           |
| 8    | 2B002531   | Leiding filterhuis "S.A.S." | 1     |           |
| 9    | 2B002530   | Buis li "S.A.S."            | 1     |           |
| 10   | 857181     | SAS klep                    | 1     |           |

|                     |         |
|---------------------|---------|
| <b>Groep</b>        | Motor   |
| <b>Code</b>         | 03.330  |
| <b>Beschrijving</b> | Uitlaat |
| <b>Revisie</b>      | 1       |



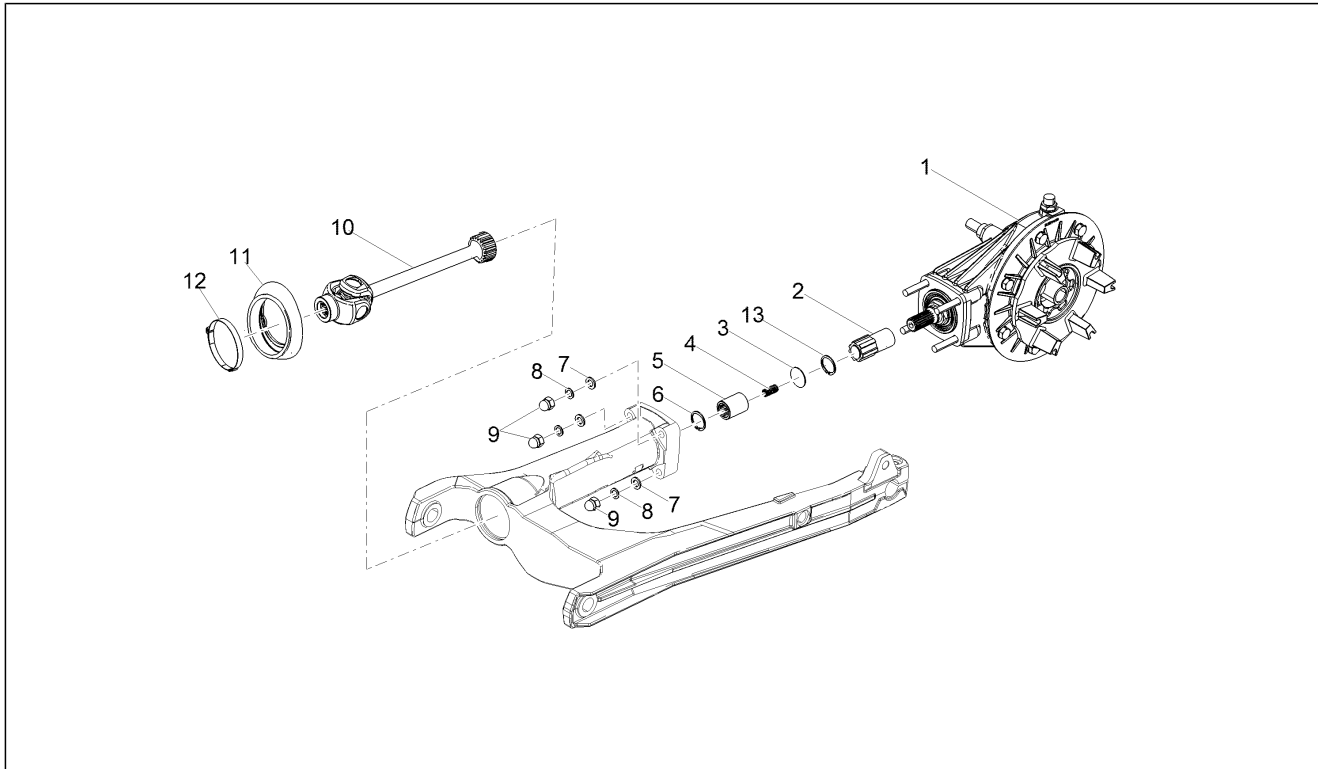
| Pos. | Code       | Beschrijving                    | Aant. | Varianten |
|------|------------|---------------------------------|-------|-----------|
| 1    | 2B003930   | ***EXHAUST PIPE CYLINDER SIDE   | 1     |           |
| 2    | 2B003931   | ***EXHAUST PIPE CYLINDER SIDE   | 1     |           |
| 3    | 896110     | Lambdasonde l.660 mm            | 1     |           |
| 4    | 584344     | Lambdasonde l. 325 mm           | 1     |           |
| 5    | 2B0039345  | ***THERMAL PROTECTION           | 1     |           |
| 6    | 2B0039325  | ***THERMAL PROTECTION           | 1     |           |
| 7    | 852090     | Pakking uitlaat                 | 2     |           |
| 8    | GU92660021 | Moer geflenst M8                | 4     |           |
| 9    | GU14615901 | Sluitring 8,4X13X0,8            | 4     |           |
| 10   | B063292    | Klemring D.37                   | 1     |           |
| 11   | 2B002187   | Bolbout met binnenzeskant M6x10 | 6     |           |
| 12   | 2B0035515  | Protezione marmitta dx          | 1     |           |
| 13   | 876879     | Spacer                          | 6     |           |
| 14   | 2B004031   | Vite TBEI flangiata M6x12       | 4     |           |
| 15   | 2B003643   | Thermische bedekking            | 2     |           |
| 16   | 254485     | Spring plate M6                 | 4     |           |
| 17   | 840370     | Klemmetje                       | 2     |           |
| 18   | GU91113826 | Beslagring                      | 2     |           |
| 19   | 2B0031505  | Geluiddemper re                 | 1     |           |
| 20   | 2B0031495  | Geluiddemper li                 | 1     |           |
| 21   | 2B003152   | Steunbeugel geluiddemper re     | 1     |           |
| 22   | 2B003151   | Steunbeugel geluiddemper li     | 1     |           |
| 23   | GU98690440 | Bout M8x40                      | 2     |           |
| 24   | AP8134378  | Huls bevestiging geluiddemper   | 2     |           |
| 25   | AP8121072  | Afstandhouder                   | 2     |           |
| 26   | AP8144071  | Rubbertje uitlaat               | 4     |           |
| 27   | 967363     | Moer M8x1,25                    | 2     |           |
| 28   | AP8152055  | Bolbout met binnenzeskant M8x12 | 6     |           |

|                     |         |
|---------------------|---------|
| <b>Groep</b>        | Motor   |
| <b>Code</b>         | 03.330  |
| <b>Beschrijving</b> | Uitlaat |
| <b>Revisie</b>      | 1       |



| Pos. | Code       | Beschrijving           | Aant. | Varianten |
|------|------------|------------------------|-------|-----------|
| 29   | GU95008308 | Sluitring              | 6     |           |
| 30   | 2B0035515  | Protezione marmitta dx | 1     |           |
| 31   | 2B001935   | Klemmetje              | 1     |           |

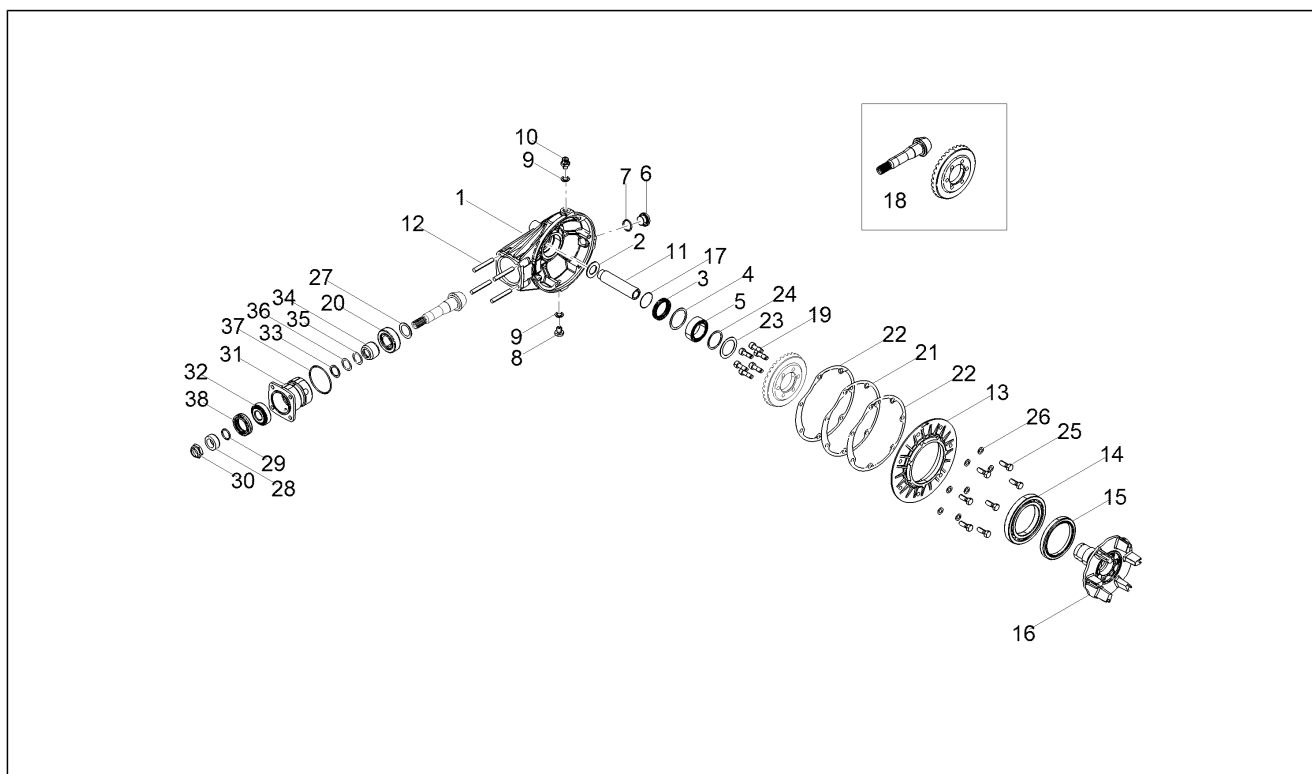
|                     |                   |
|---------------------|-------------------|
| <b>Groep</b>        | Motor             |
| <b>Code</b>         | 03.340            |
| <b>Beschrijving</b> | Transmissie acht. |
| <b>Revisie</b>      | 1                 |



| Pos. | Code       | Beschrijving            | Aant. | Varianten |
|------|------------|-------------------------|-------|-----------|
| 1    | 2B0034845  | Transmissiedoos cpl.    | 1     |           |
| 2    | GU31327783 | Mof                     | 1     |           |
| 3    | GU19327601 | Schijf                  | 1     |           |
| 4    | GU94321099 | Veer                    | 1     |           |
| 5    | GU19328801 | Mof                     | 1     |           |
| 6    | GU23548180 | Veer                    | 1     |           |
| 7    | GU95005308 | Sluitring 8,4x14,57x1,6 | 4     |           |
| 8    | GU14615901 | Sluitring 8,4X13X0,8    | 4     |           |
| 9    | 860651     | Moer blind M8x1,25      | 4     |           |
| 10   | GU23328081 | Cardankoppeling         | 1     |           |
| 11   | GU23548080 | Besch.band              | 1     |           |
| 12   | AP8120246  | Klemmetje D=60-80       | 1     |           |
| 13   | GU90272023 | Seegerring              | 1     |           |

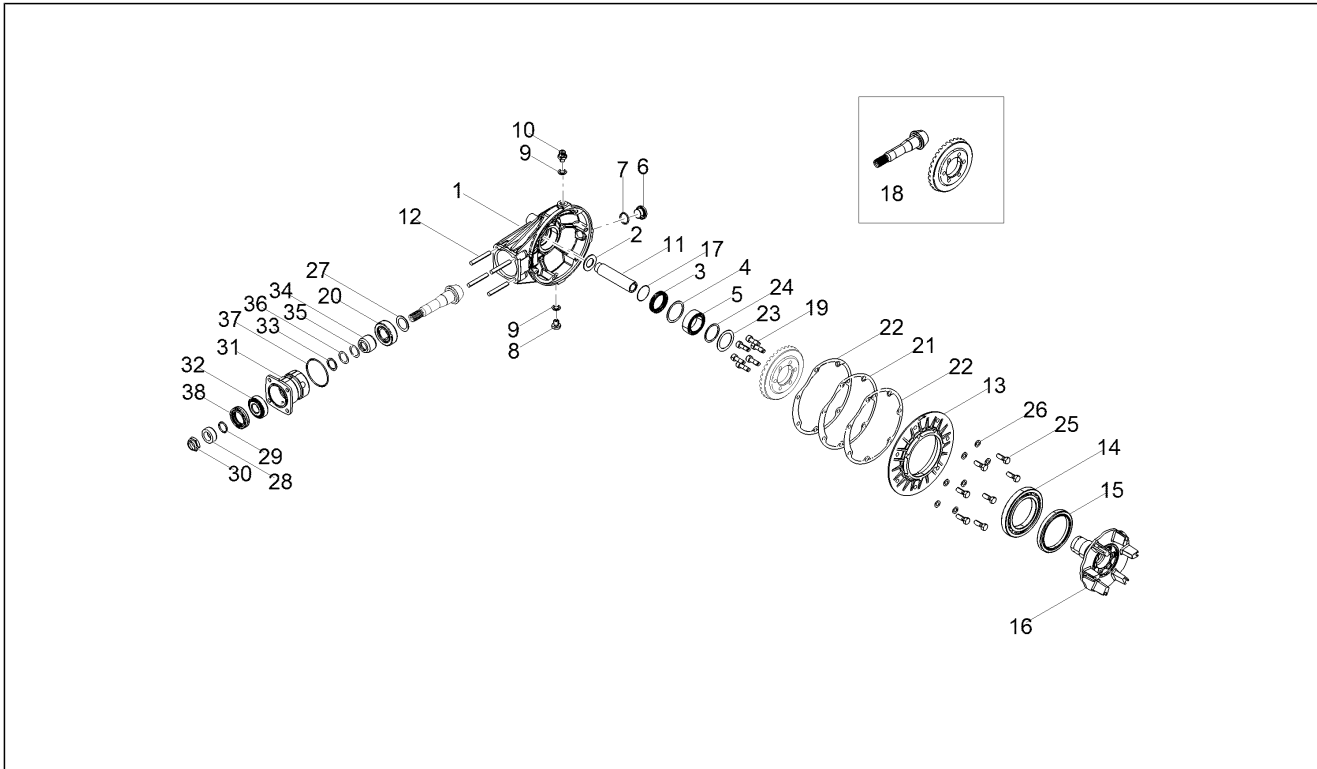


|                     |                                 |
|---------------------|---------------------------------|
| <b>Groep</b>        | Motor                           |
| <b>Code</b>         | 03.350                          |
| <b>Beschrijving</b> | Achter transmissie / Components |
| <b>Revisie</b>      | 1                               |



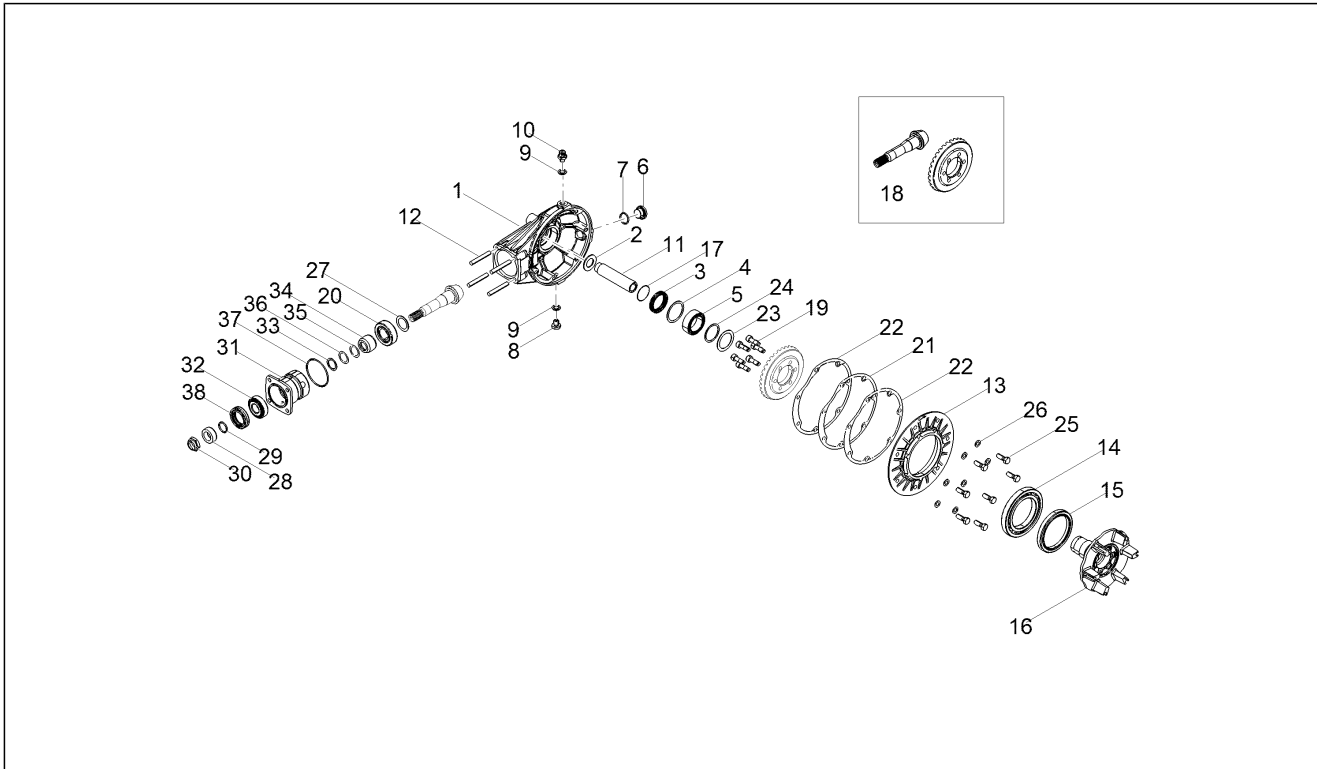
| Pos. | Code       | Beschrijving             | Aant. | Varianten |
|------|------------|--------------------------|-------|-----------|
| 1    | 976608     | Doos transm. zwart       | 1     |           |
| 2    | GU19351900 | Steunende sluitring      | 1     |           |
| 3    | GU90403549 | Dichtingsring 35x47x7    | 1     |           |
| 4    | GU19351100 | Steunende sluitring      | 1     |           |
| 5    | GU92252235 | Rollager 35x50x17        | 1     |           |
| 6    | GU12022600 | Oliedop                  | 1     |           |
| 7    | GU90706203 | OR-ring 20,24X2,62       | 1     |           |
| 8    | GU31003766 | Afvoerdop olie M10x1     | 1     |           |
| 9    | GU01528930 | Pakking 10x18x1,5        | 2     |           |
| 10   | 2A000823   | Dop ontluchting          | 1     |           |
| 11   | GU32633560 | Afstandhouder            | 1     |           |
| 12   | GU96508055 | Stiftbout                | 4     |           |
| 13   | GU32350410 | Bedekking                | 1     |           |
| 14   | GU92201070 | Kogellager 70x110x13     | 1     |           |
| 15   | GU90407591 | Dichtingsring 75x95x10   | 1     |           |
| 16   | 2B0034855  | Naaf schokbeschermer     | 1     |           |
| 17   | GU90353030 | Blokkeerring             | 1     |           |
| 18   | GU32354610 | Conisch koppel 8/33      | 1     |           |
| 19   | 2B004014   | ***SCREW (CYLINDER HEAD) | 6     |           |
| 20   | GU92249227 | Conische kogellager 25x5 | 1     |           |
| 21   | 2B002320   | Dikte 0,4 mm             | 1     |           |
| 21   | GU19355411 | Dikte 1,4 mm             | 1     |           |
| 21   | GU19355410 | Dikte 1,3 mm             | 1     |           |
| 21   | 2B002318   | Dikte 0,2 mm             | 1     |           |
| 21   | 2B002425   | Dikte 0,6 mm             | 1     |           |
| 21   | 2B002424   | Dikte 0,5 mm             | 1     |           |
| 21   | GU19355408 | Dikte 1,2 mm             | 1     |           |
| 21   | GU19355404 | Dikte 1 mm               | 1     |           |

|                     |                                 |
|---------------------|---------------------------------|
| <b>Groep</b>        | Motor                           |
| <b>Code</b>         | 03.350                          |
| <b>Beschrijving</b> | Achter transmissie / Components |
| <b>Revisie</b>      | 1                               |



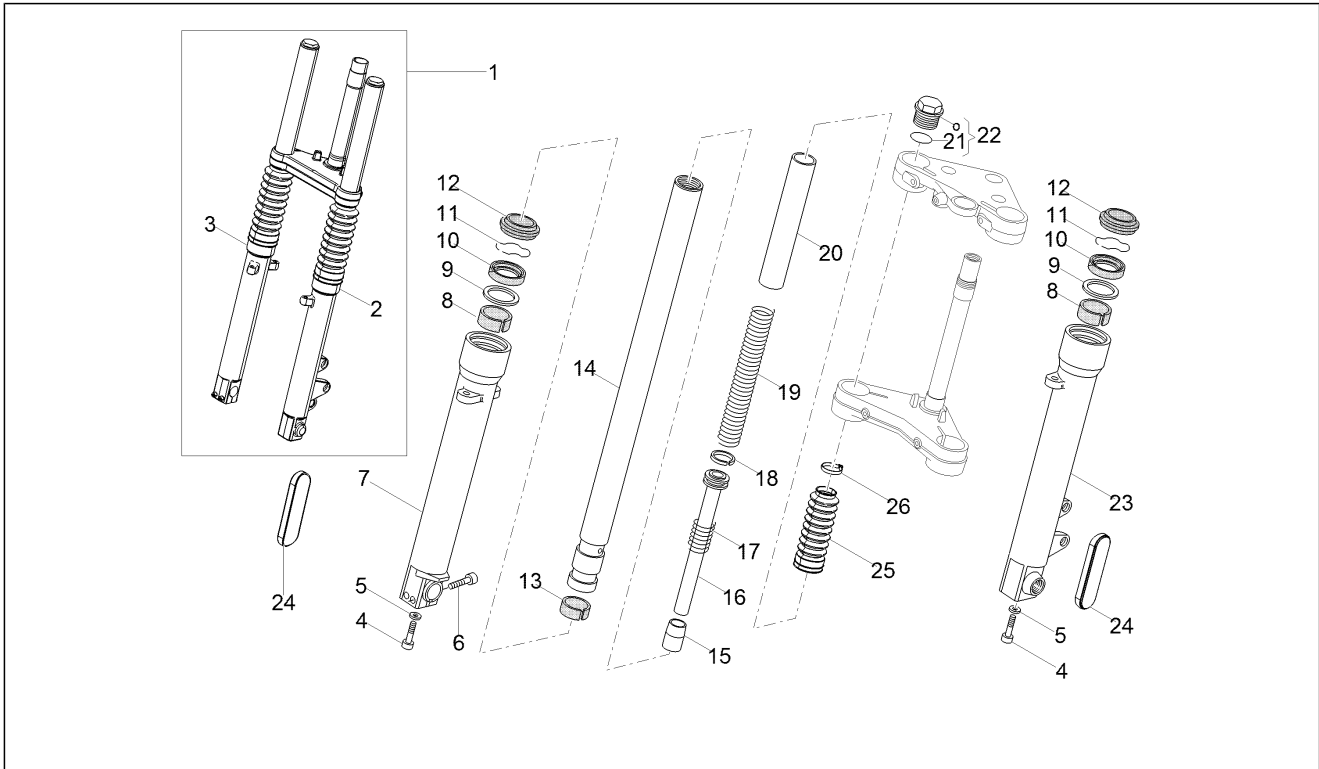
| Pos. | Code       | Beschrijving                  | Aant. | Varianten |
|------|------------|-------------------------------|-------|-----------|
| 21   | 2B002319   | Dikte 0,3 mm                  | 1     |           |
| 21   | GU19355400 | Dikte 0,8 mm                  | 1     |           |
| 21   | GU19355412 | Dikte 1,5 mm                  | 1     |           |
| 21   | 2B002426   | Dikte 0,7 mm                  | 1     |           |
| 21   | GU19355413 | Dikte 1,6 mm                  | 1     |           |
| 21   | GU19355402 | Dikte 0,9 mm                  | 1     |           |
| 21   | GU19355406 | Dikte 1,1 mm                  | 1     |           |
| 22   | 2A000382   | Pakking                       | 2     |           |
| 23   | GU19352300 | Schraapring                   | 1     |           |
| 24   | GU19353500 | Schraapring                   | 1     |           |
| 25   | GU19357660 | Bout                          | 7     |           |
| 26   | GU61270300 | Elastische sluitring 8x15x0,3 | 7     |           |
| 27   | GU19355327 | Dikte 1,7 mm                  | 1     |           |
| 27   | GU19355325 | Dikte 1,5 mm                  | 1     |           |
| 27   | GU19355329 | Dikte 1,9 mm                  | 1     |           |
| 27   | GU19355326 | Dikte 1,6 mm                  | 1     |           |
| 27   | GU19355321 | Dikte 1,1 mm                  | 1     |           |
| 27   | GU19355324 | Dikte 1,4 mm                  | 1     |           |
| 27   | GU19355323 | Dikte 1,3 mm                  | 1     |           |
| 27   | GU19355320 | Dikte 1 mm                    | 1     |           |
| 27   | GU19355322 | Dikte 1,2 mm                  | 1     |           |
| 27   | GU19355328 | Dikte 1,8 mm                  | 1     |           |
| 28   | 2B003486   | Afstandhouder                 | 1     |           |
| 29   | GU90706188 | Dichtingsring 18,77X1,78      | 1     |           |
| 30   | GU19356700 | Moer                          | 1     |           |
| 31   | GU20352421 | Cover                         | 1     |           |
| 32   | GU92249220 | Rollager 20x47x14             | 1     |           |
| 33   | GU19355303 | Dikte 1,3 mm                  | 1     |           |

|                     |                                 |
|---------------------|---------------------------------|
| <b>Groep</b>        | Motor                           |
| <b>Code</b>         | 03.350                          |
| <b>Beschrijving</b> | Achter transmissie / Components |
| <b>Revisie</b>      | 1                               |



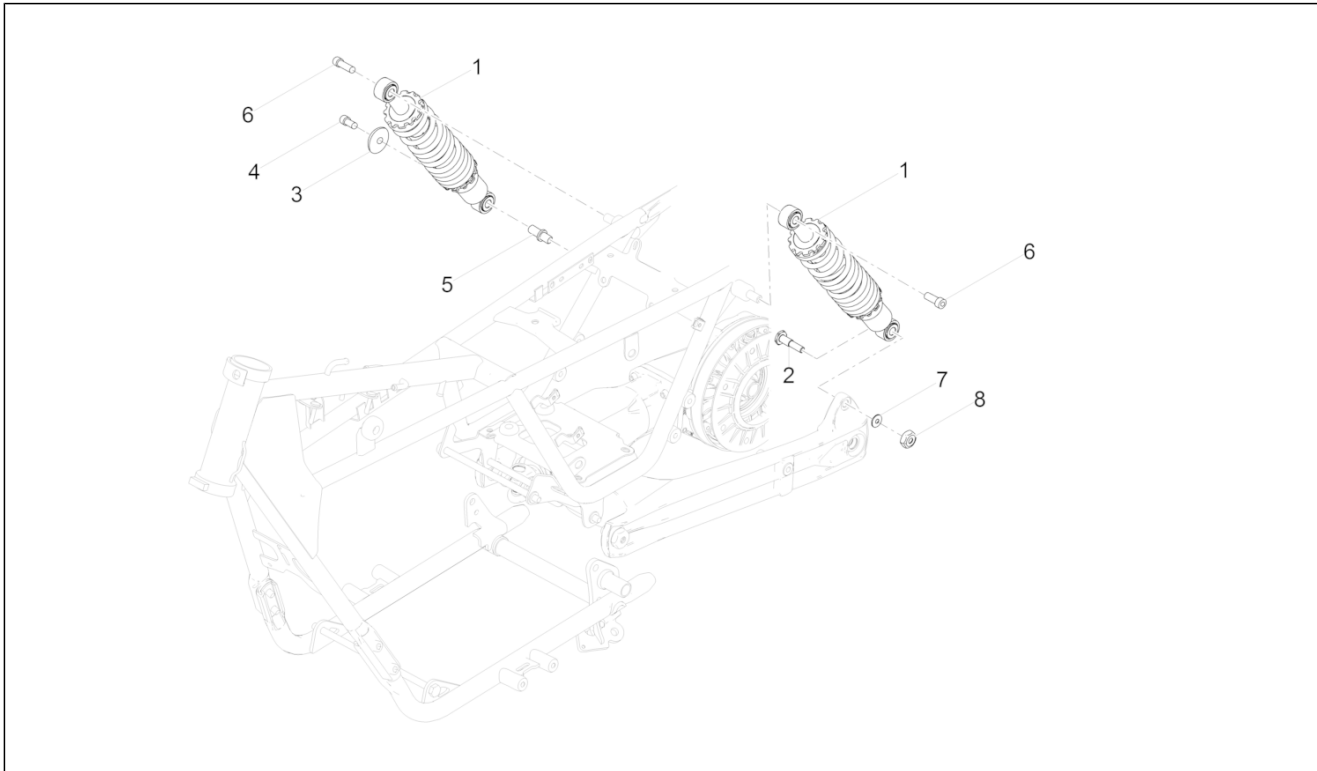
| Pos. | Code       | Beschrijving             | Aant. | Varianten |
|------|------------|--------------------------|-------|-----------|
| 33   | GU19355304 | Dikte 1,4 mm             | 1     |           |
| 33   | GU19355309 | Dikte 1,9 mm             | 1     |           |
| 33   | GU19355307 | Dikte 1,7 mm             | 1     |           |
| 33   | GU19355306 | Dikte 1,6 mm             | 1     |           |
| 33   | GU19355302 | Dikte 1,2 mm             | 1     |           |
| 33   | GU19355305 | Dikte 1,5 mm             | 1     |           |
| 33   | GU19355308 | Dikte 1,8 mm             | 1     |           |
| 33   | GU19355301 | Dikte 1,1 mm             | 1     |           |
| 33   | GU19355300 | Dikte 1 mm               | 1     |           |
| 34   | GU20355121 | Afstandhouder            | 1     |           |
| 35   | GU19355200 | Sluitring regel. 0,1 mm  | 1     |           |
| 36   | GU19355202 | Sluitring regel. 0,15 mm | 1     |           |
| 37   | GU90706584 | Pakking 58,42x2,62       | 1     |           |
| 38   | GU90403251 | Dichtingsring 32x47x10   | 1     |           |

|                     |                |
|---------------------|----------------|
| <b>Groep</b>        | Suspensions    |
| <b>Code</b>         | 04.060         |
| <b>Beschrijving</b> | Voorvork Kaifa |
| <b>Revisie</b>      | 1              |



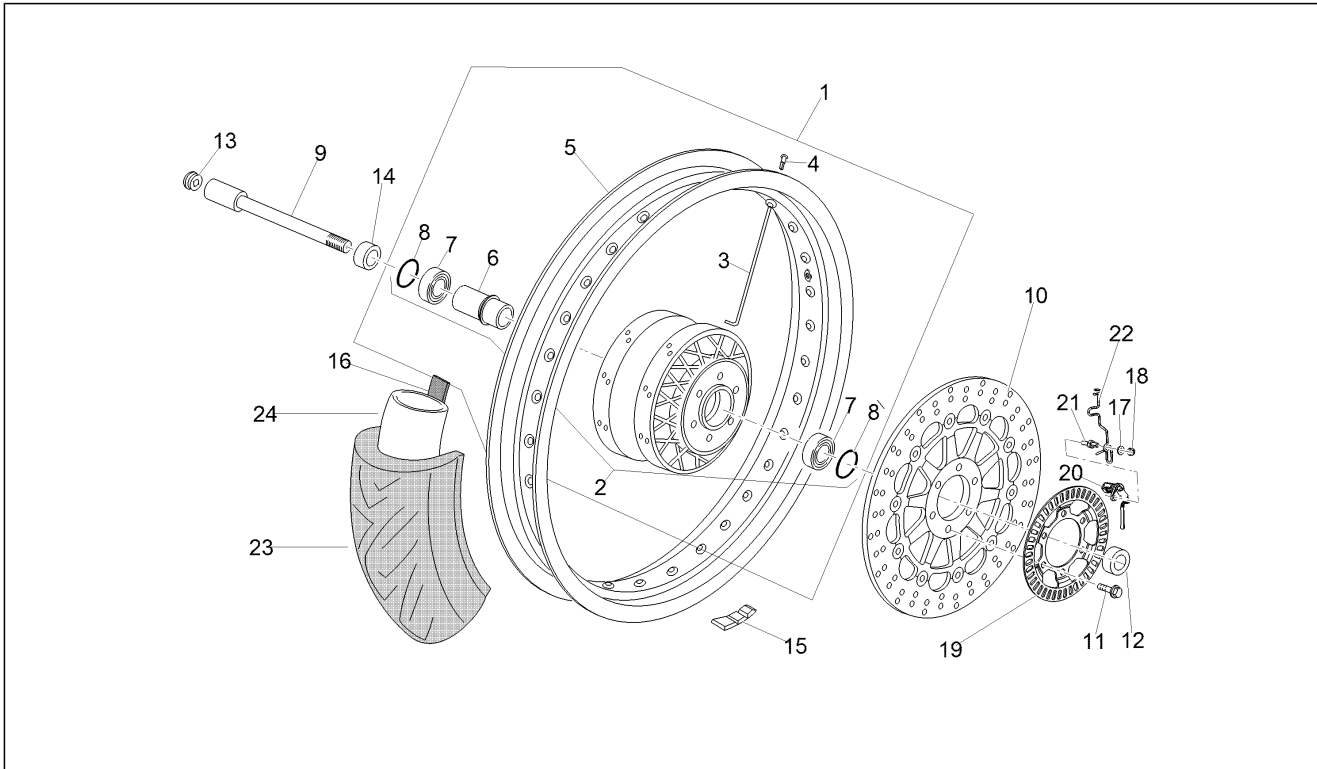
| Pos. | Code       | Beschrijving         | Aant. | Varianten |
|------|------------|----------------------|-------|-----------|
| 1    | 2B003251   | Voorvork             | 1     |           |
| 2    | 2B003952   | Stang met hulsel li  | 1     |           |
| 3    | 2B003948   | Stang met hulsel re  | 1     |           |
| 4    | 887878     | Bout M10x30          | 2     |           |
| 5    | 887879     | Sluitring            | 2     |           |
| 6    | AP8150285  | Binnenkantbout M6x35 | 2     |           |
| 7    | 2R000109   | Hulsel re            | 1     |           |
| 8    | 887882     | Huls bov.            | 2     |           |
| 9    | 887883     | Sluitring            | 2     |           |
| 10   | 887884     | Dichtingsring        | 2     |           |
| 11   | 887885     | Blokkeerring         | 2     |           |
| 12   | 887886     | Stofkeerring         | 2     |           |
| 13   | 887888     | Huls                 | 2     |           |
| 14   | 2B001591   | Stang                | 2     |           |
| 15   | 887889     | Buffer               | 2     |           |
| 16   | 887891     | Pompend deel cpl.    | 2     |           |
| 17   | 887890     | Tegenveer            | 2     |           |
| 18   | 887905     | Segment              | 2     |           |
| 19   | 2R000243   | Veer                 | 2     |           |
| 20   | 887893     | Buis                 | 2     |           |
| 21   | 887916     | OR-ring 4118         | 2     |           |
| 22   | 887894     | Dop cpl.             | 2     |           |
| 23   | 2R000110   | Hulsel li            | 1     |           |
| 24   | GU05781630 | Reflector amber      | 2     |           |
| 25   | 2B003514   | Blower vork          | 2     |           |
| 26   | 2B004068   | Klemmetje            | 2     |           |

|                     |             |
|---------------------|-------------|
| <b>Groep</b>        | Suspensions |
| <b>Code</b>         | 04.080      |
| <b>Beschrijving</b> | Schokdemper |
| <b>Revisie</b>      | 1           |



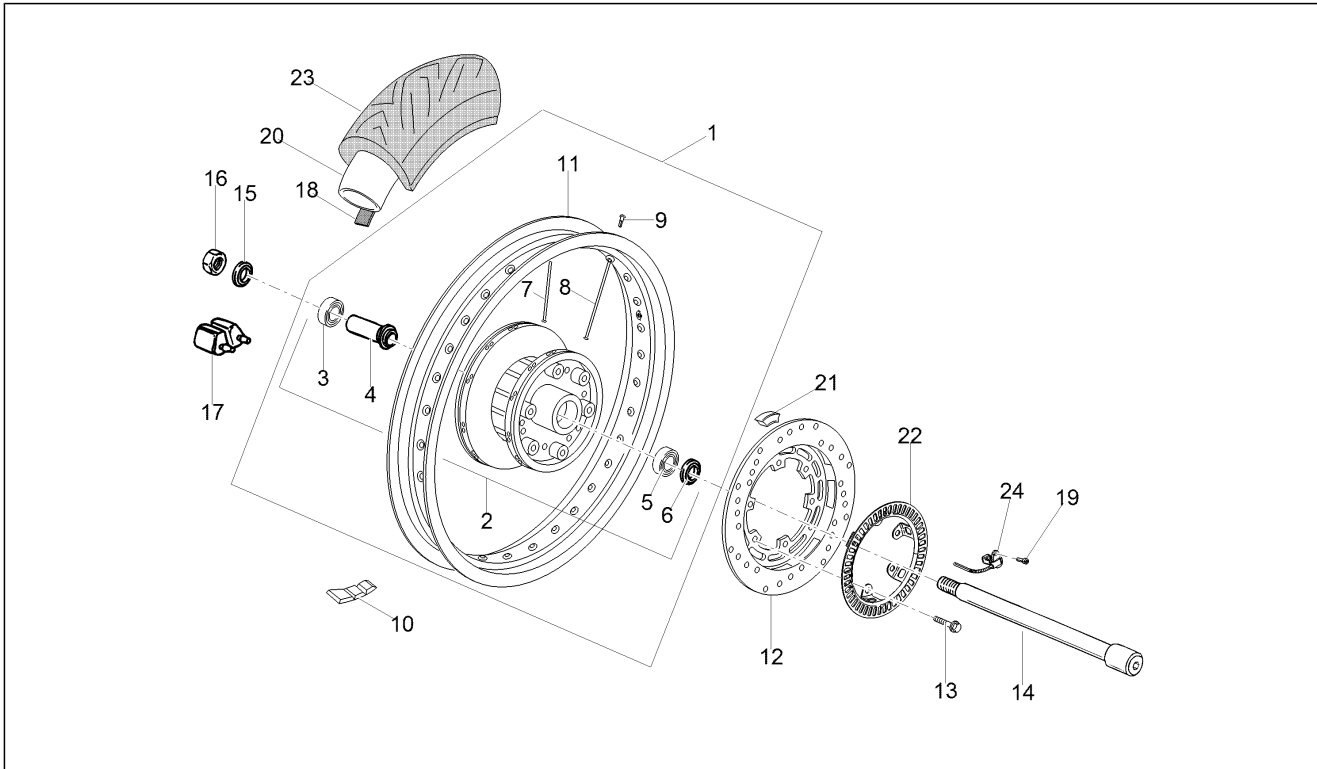
| Pos. | Code       | Beschrijving                                  | Aant. | Varianten |
|------|------------|---|-------|-----------|
| 1    | 2B003750   | Schokdemper acht.                             | 2     |           |
| 2    | GU32555211 | Pin   | 1     |           |
| 3    | 2B004269   | Huls  | 1     |           |
| 4    | 2B002194   | Pre-geïmpregneerde binnenzeskantbout IX M6X18 | 1     |           |
| 5    | GU32555210 | Pin   | 1     |           |
| 6    | 2B002195   | Pre-geïmpregneerde binnenzeskantbout IX M6X35 | 2     |           |
| 7    | GU95129181 | Sluitring gegolfd                             | 1     |           |
| 8    | GU92630510 | Moer M10x1,5                                  | 1     |           |

|                     |          |
|---------------------|----------|
| <b>Groep</b>        | Wielen   |
| <b>Code</b>         | 05.010   |
| <b>Beschrijving</b> | Voorwiel |
| <b>Revisie</b>      | 1        |



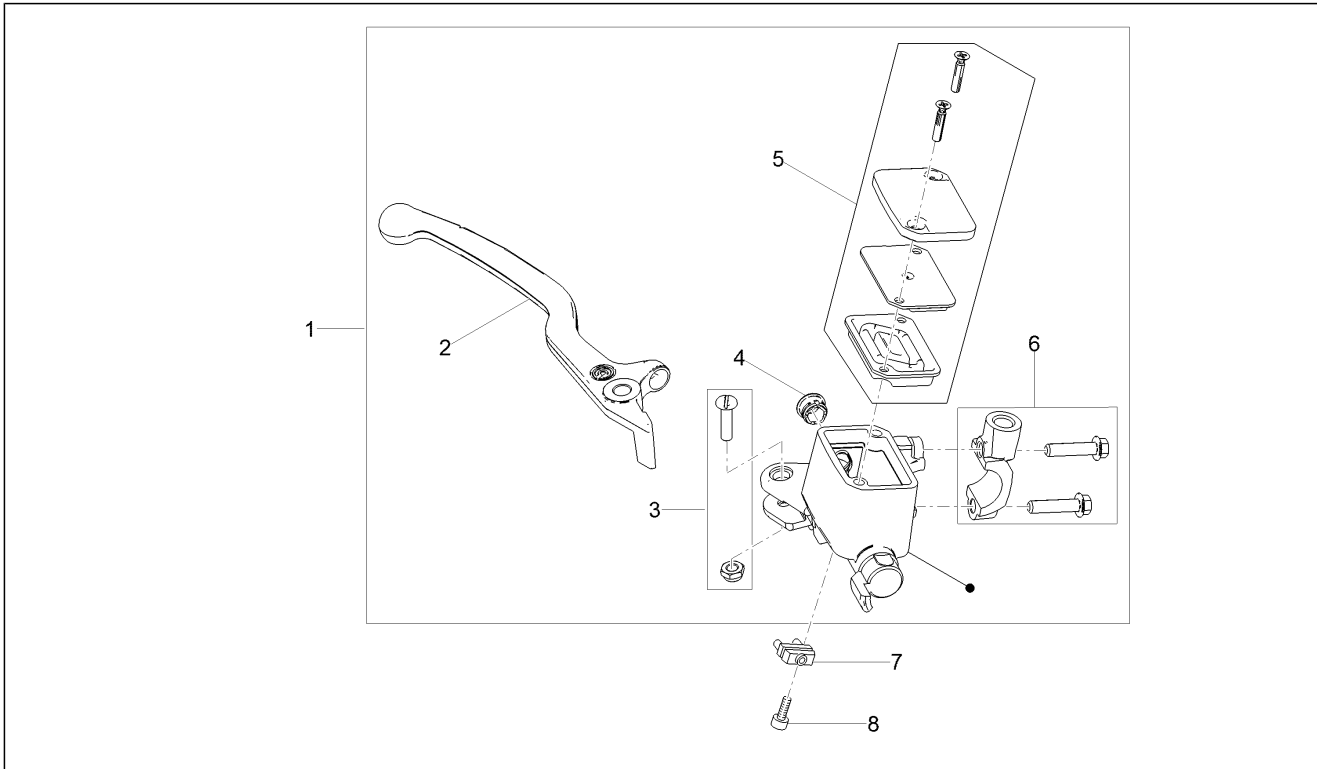
| Pos. | Code       | Beschrijving                 | Aant. | Varianten |
|------|------------|------------------------------|-------|-----------|
| 1    | 2B0039375  | Voorwiel compleet met lagers | 1     |           |
| 2    | 2B003701   | Not available                | 1     |           |
| 3    | B063144    | Spaak voorwiel               | 36    |           |
| 4    | GU03631250 | Nippels                      | 36    |           |
| 5    | B063077    | Velg voor. zwart 2.5X18"     | 1     |           |
| 6    | GU31615283 | Afstandhouder lagers         | 1     |           |
| 7    | GU92204221 | Lager                        | 2     |           |
| 8    | GU90402642 | Dichtingsring                | 1     |           |
| 9    | GU31614183 | Pin voorwiel                 | 1     |           |
| 10   | 883688     | Remschijf voor 320           | 1     |           |
| 11   | 887762     | Geflenste zeskantbout M8x22  | 6     |           |
| 12   | GU31616384 | Afstandhouder li             | 1     |           |
| 13   | GU93180111 | Dop 15 mm                    | 1     |           |
| 14   | GU32615660 | Afstandhouder re             | 1     |           |
| 15   | GU14616150 | Tegengewicht                 | 1     |           |
| 16   | GU03612040 | Klemring nippelbescherming   | 1     |           |
| 17   | AP8150178  | Sluitring 6,4x12,5*          | 1     |           |
| 18   | GU92630207 | Moer                         | 1     |           |
| 19   | 887875     | Geluidswiel                  | 1     |           |
| 20   | 859792     | Sensor ABS                   | 1     |           |
| 21   | 2B001708   | Afstandhouder                | 1     |           |
| 22   | 2B001561   | Kabelwartel                  | 1     |           |
| 23   | 886679     | Band 100/90-18"              | 1     |           |
| 24   | GU31610160 | Binnenband MB 18             | 1     |           |

|                     |            |
|---------------------|------------|
| <b>Groep</b>        | Wielen     |
| <b>Code</b>         | 05.020     |
| <b>Beschrijving</b> | Achterwiel |
| <b>Revisie</b>      | 1          |



| Pos. | Code       | Beschrijving                      | Aant. | Varianten |
|------|------------|-----------------------------------|-------|-----------|
| 1    | 2B0039395  | Achterwiel                        | 1     |           |
| 2    | 2B0037025  | Naaf achterwiel                   | 1     |           |
| 3    | GU92204218 | Lager                             | 1     |           |
| 4    | GU27633910 | Afstandhouder                     | 1     |           |
| 5    | GU92204217 | Lager                             | 1     |           |
| 6    | GU90402538 | Dichtingsring 25x40x7             | 1     |           |
| 7    | 883350     | Spaak kort                        | 18    |           |
| 8    | 883349     | Spaak lang mm 158                 | 18    |           |
| 9    | GU03631250 | Nippels                           | 36    |           |
| 10   | GU14616150 | Tegengewicht                      | 1     |           |
| 11   | B063078    | Achtervelg 3,5"x17" Black         | 1     |           |
| 12   | 887448     | Remschijf                         | 1     |           |
| 13   | 887762     | Geflenste zeskantbout M8x22       | 6     |           |
| 14   | GU32633360 | Pin achterwiel                    | 1     |           |
| 15   | GU31634481 | Sluitring                         | 1     |           |
| 16   | GU92606316 | Moer M16x1,5                      | 1     |           |
| 17   | GU32632510 | Element schokbesch.               | 6     |           |
| 18   | GU28612033 | Klemring nippelbescherming        | 1     |           |
| 19   | 1C001499   | Binnenzeskantbout TORX M5x16 INOX | 1     |           |
| 20   | GU30630430 | Binnenband MD 17                  | 1     |           |
| 21   | GU32636160 | Rubber                            | 1     |           |
| 22   | 2B000225   | Geluidswiel                       | 1     |           |
| 23   | 886680     | Band 130/80-17"                   | 1     |           |
| 24   | 859792     | Sensor ABS                        | 1     |           |

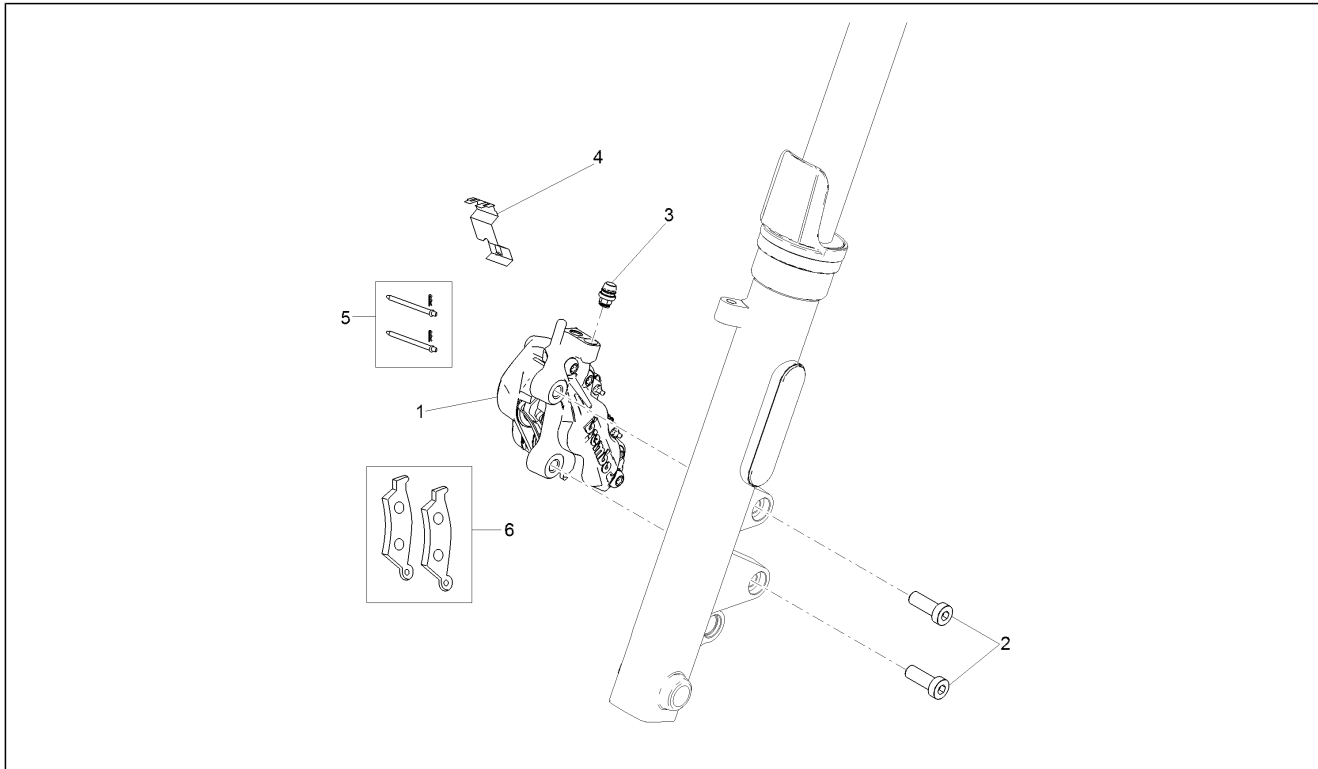
|                     |                |
|---------------------|----------------|
| <b>Groep</b>        | Reminstallatie |
| <b>Code</b>         | 06.010         |
| <b>Beschrijving</b> | Pomp voorrem   |
| <b>Revisie</b>      | 1              |



| Pos. | Code       | Beschrijving                                     | Aant. | Varianten |
|------|------------|--|-------|-----------|
| 1    | 2B003543   | Pomp voorrem                                     | 1     |           |
| 2    | 2B003821   | Remhendel  | 1     |           |
| 3    | 2B003040   | Reserveonderdeel pen hendel cpl. met moer        | 1     |           |
| 4    | 2B001930   | Reserveonderdeel kijkglas voorrempomp            | 1     |           |
| 5    | 2B003039   | Reserveonderdeel dop cpl. met membraan en bouten | 1     |           |
| 6    | 2B003822   | Beugel   | 1     |           |
| 7    | GU03749845 | Stopschakelaar                                   | 1     |           |
| 8    | AP8152043  | Binnenzeskantbout M4x10                          | 1     |           |

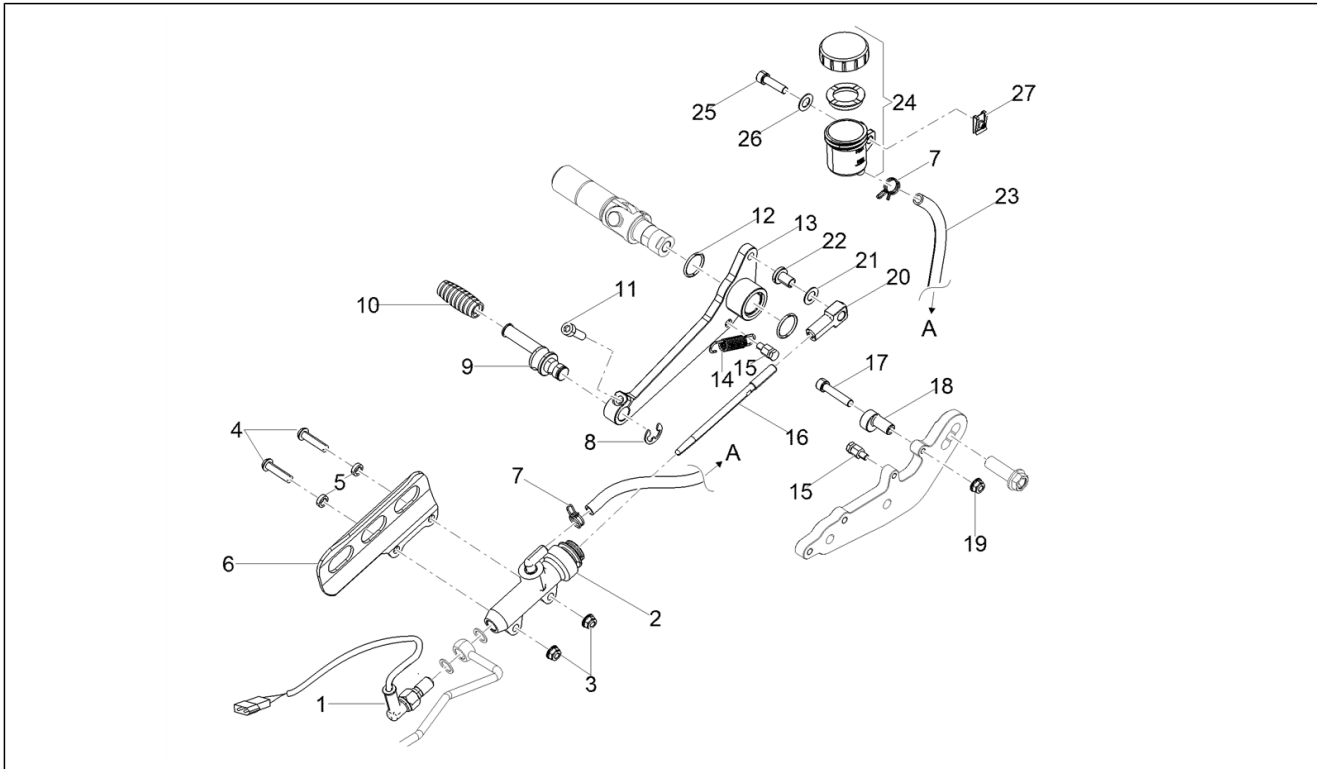


|                     |                     |
|---------------------|---------------------|
| <b>Groep</b>        | Reminstallatie      |
| <b>Code</b>         | 06.020              |
| <b>Beschrijving</b> | Tang van de voorrem |
| <b>Revisie</b>      | 1                   |



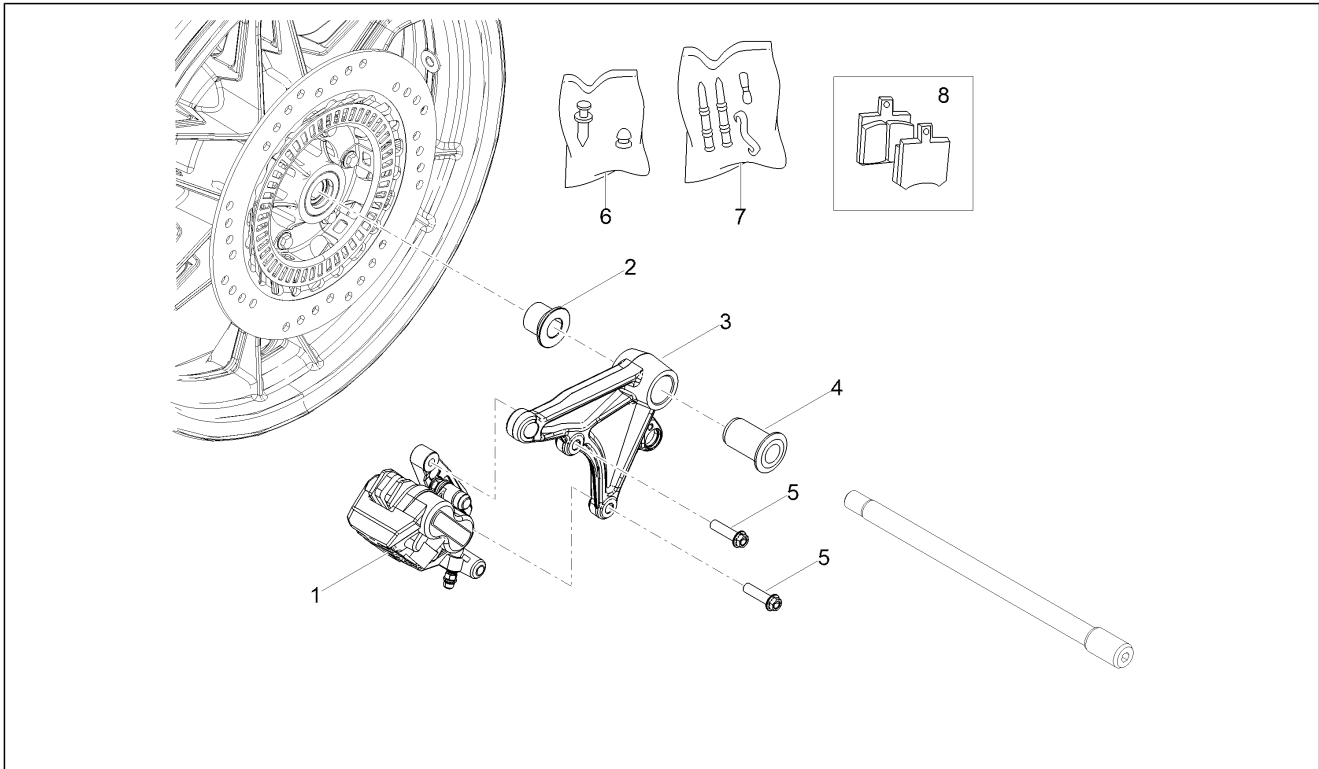
| Pos. | Code       | Beschrijving                  | Aant. | Varianten |
|------|------------|-------------------------------|-------|-----------|
| 1    | 2B001197   | Front disk brake caliper l.h. | 1     |           |
| 2    | AP8152385  | Binnenzeskantbout M10x1,25    | 2     |           |
| 3    | GU05659230 | Ontluchting+kapje             | 1     |           |
| 4    | GU01659131 | Veer                          | 1     |           |
| 5    | GU01659130 | Pinnen+Veren tang             | 1     |           |
| 6    | 883673     | Pastilles - koppel            | 1     |           |

|                     |                       |
|---------------------|-----------------------|
| <b>Groep</b>        | Reminstallatie        |
| <b>Code</b>         | 06.030                |
| <b>Beschrijving</b> | Pomp van de achterrem |
| <b>Revisie</b>      | 1                     |



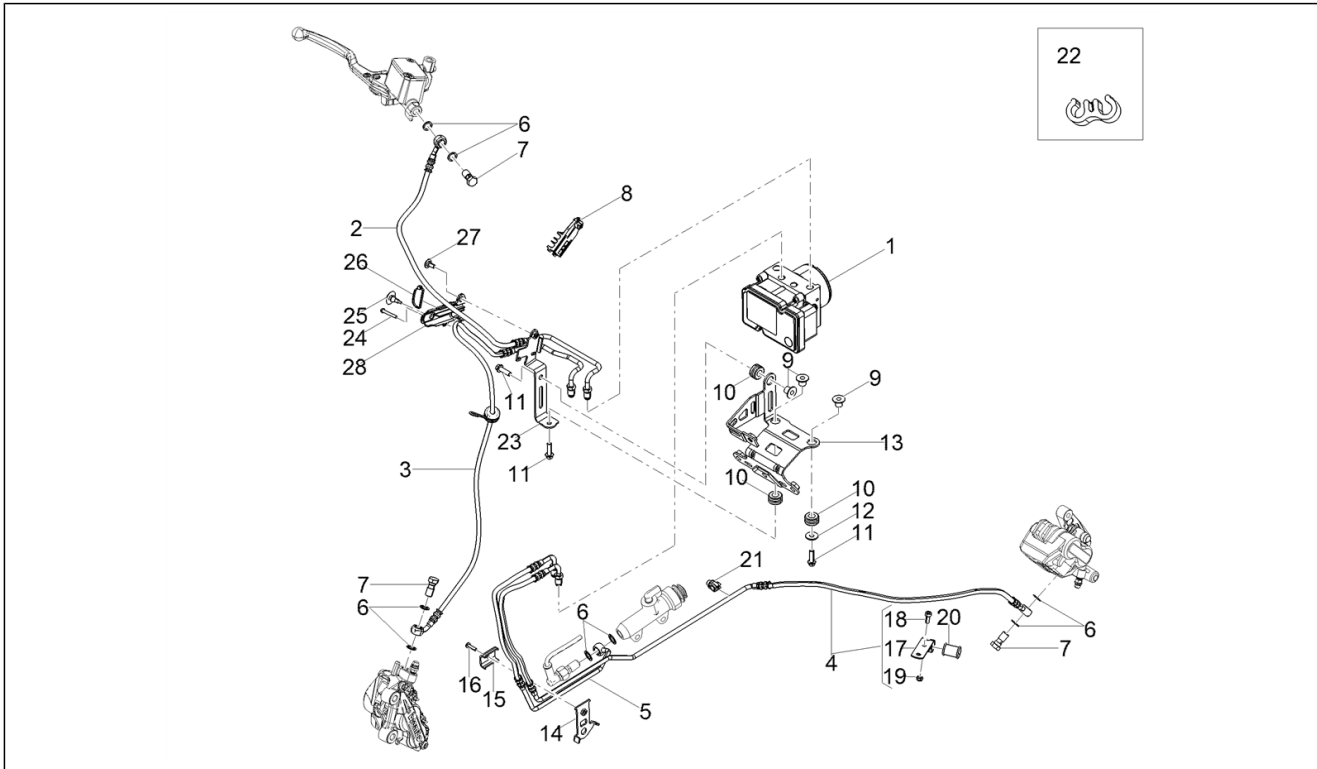
| Pos. | Code       | Beschrijving                                       | Aant. | Varianten |
|------|------------|--|-------|-----------|
| 1    | 854973     | Stopschakelaar                                     | 1     |           |
| 2    | 2B000508   | Pomp achterrem                                     | 1     |           |
| 3    | GU92630206 | Dado autobloccante M6x1                            | 2     |           |
| 4    | GU98370625 | Bolbout met binnenzeskant M6x25                    | 2     |           |
| 5    | AP8134640  | Afstandhouder filterkast                           | 2     |           |
| 6    | GU01665410 | Bescherming rempomp zwart                          | 1     |           |
| 7    | AP8101594  | Klemmetje D10,1*                                   | 2     |           |
| 8    | AP8150462  | Seegerring d9                                      | 1     |           |
| 9    | 886665     | Pin  | 1     |           |
| 10   | AP8120912  | Rubbetje voor hendel                               | 1     |           |
| 11   | AP8150044  | Binnenzeskantbout M6x20                            | 1     |           |
| 12   | AP9100477  | O-ring 18x2  | 2     |           |
| 13   | 898285     | Remhendel  | 1     |           |
| 14   | AP8121927  | Veer hendel achterrem                              | 1     |           |
| 15   | 898286     | Pin koppeling veren                                | 2     |           |
| 16   | 2B001597   | Staaf pomp rem                                     | 1     |           |
| 17   | AP8150051  | Binnenzeskantbout                                  | 1     |           |
| 18   | 886666     | Excentrieke huls                                   | 1     |           |
| 19   | AP8150451  | Zelfborg. moer laag                                | 1     |           |
| 20   | GU18257551 | Blokje   | 1     |           |
| 21   | 658837     | Elastische gegolfde sluitring D15 F8,4 S1,5 - INOX | 1     |           |
| 22   | 898287     | Pin hendel   | 1     |           |
| 23   | 2B001780   | ***PIPE OIL  | 1     |           |
| 24   | 2B002130   | ***Brakes oil tank                                 | 1     |           |
| 25   | AP8152298  | Bolbout met binnenzeskant, geflenst M5x16          | 1     |           |
| 26   | GU95100059 | Sluitring 5,25x14x1,5                              | 1     |           |
| 27   | 248419     | Spring plate M5                                    | 1     |           |

|                     |                       |
|---------------------|-----------------------|
| <b>Groep</b>        | Reminstallatie        |
| <b>Code</b>         | 06.040                |
| <b>Beschrijving</b> | Tang van de achterrem |
| <b>Revisie</b>      | 1                     |



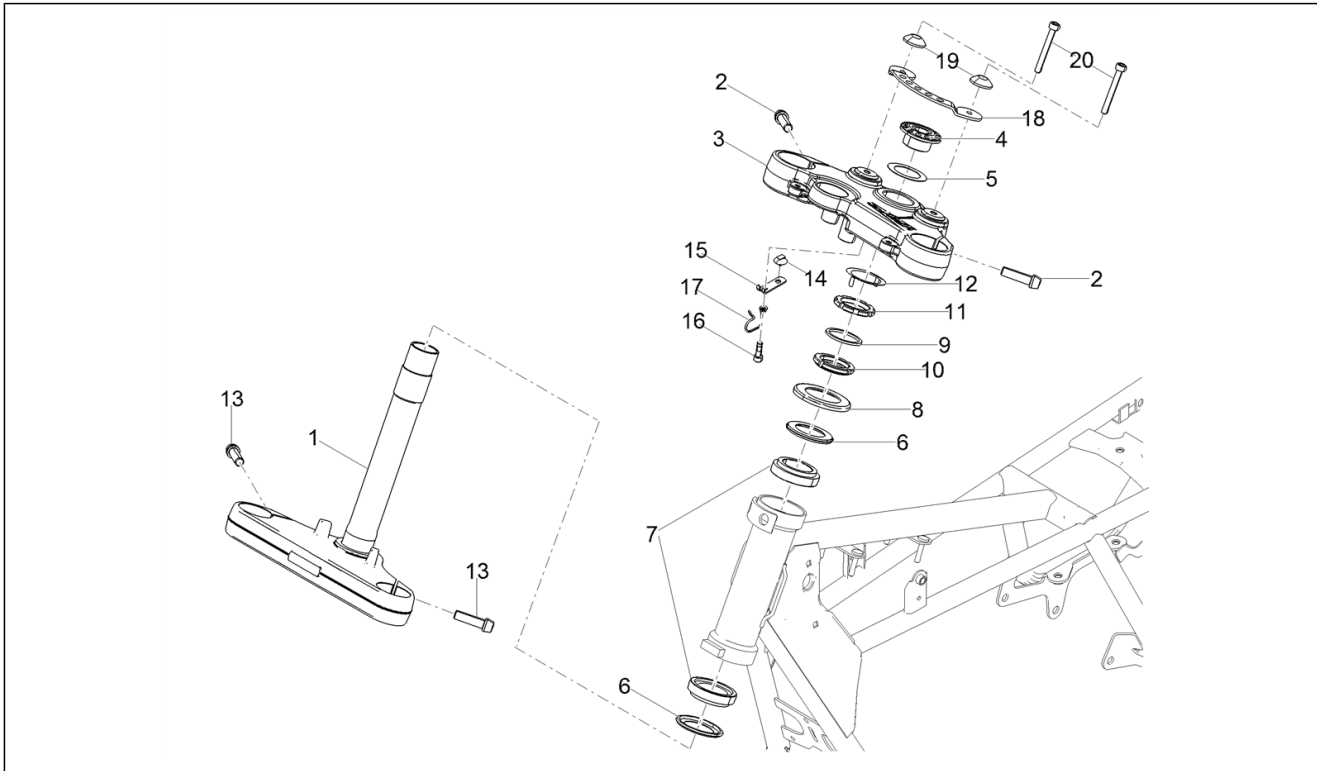
| Pos. | Code       | Beschrijving                | Aant. | Varianten |
|------|------------|-----------------------------|-------|-----------|
| 1    | 2B000525   | Tang van de achterrem       | 1     |           |
| 2    | GU32634160 | Afstandhouder               | 1     |           |
| 3    | 2B003338   | Brake caliper support plate | 1     |           |
| 4    | GU31634281 | Beslagring                  | 1     |           |
| 5    | AP8152288  | Zeskantbout geflenst M8x30  | 2     |           |
| 6    | GU31659281 | Ontluchting+kapje           | 1     |           |
| 7    | GU31659181 | Kit pinnen+veer             | 1     |           |
| 8    | 2R000248   | Koppel remblokken           | 1     |           |

|                     |                    |
|---------------------|--------------------|
| <b>Groep</b>        | Reminstallatie     |
| <b>Code</b>         | 06.050             |
| <b>Beschrijving</b> | Reminstallatie ABS |
| <b>Revisie</b>      | 1                  |



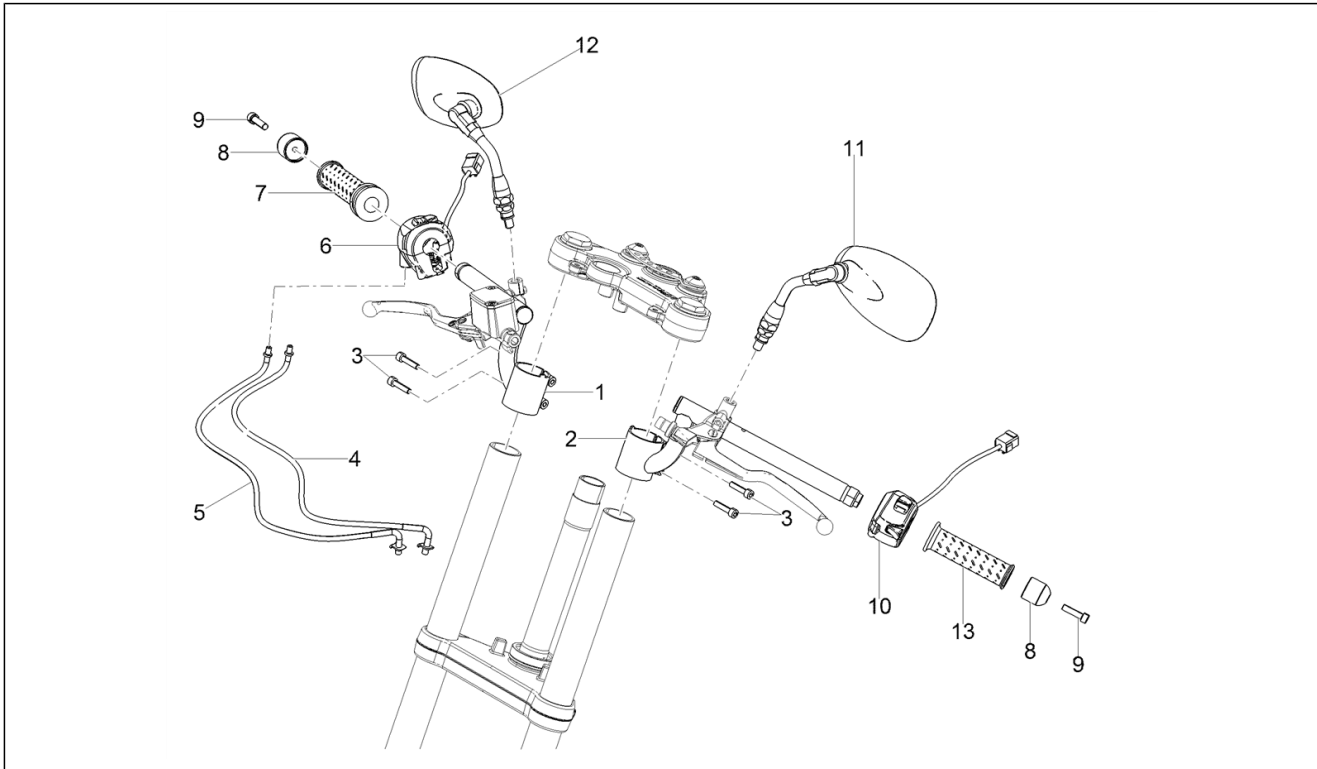
| Pos. | Code        | Beschrijving                      | Aant. | Varianten |
|------|-------------|-----------------------------------|-------|-----------|
| 1    | 2D000102    | Centrale ABS                      | 1     |           |
| 2    | 2B001258    | Leiding voorrem pomp-Hecu ABS     | 1     |           |
| 3    | 2B001558    | Leiding tangen voor. centrale ABS | 1     |           |
| 4    | 2B001556    | Leiding tang achter. centrale ABS | 1     |           |
| 5    | 2B001620    | Leiding pomp achter. centrale ABS | 1     |           |
| 6    | AP8113004   | Sluitring 10x14x1,6*              | 8     |           |
| 7    | AP8113003   | Bout olieleiding                  | 3     |           |
| 8    | 2B001570    | Houder remleiding                 | 1     |           |
| 9    | AP8221023   | 'T'-vormige huls                  | 3     |           |
| 10   | AP8120030   | Rubbetje                          | 3     |           |
| 11   | 00H02402282 | Bout 6X20                         | 3     |           |
| 12   | AP8150015   | Sluitring 6,6x18x1,6*             | 3     |           |
| 13   | 2B003056    | Steunbeugel centrale              | 1     |           |
| 14   | 2B001564    | Steunplaat remleiding             | 1     |           |
| 15   | 2B001614    | Bevest.plaat buizen               | 1     |           |
| 16   | AP8152043   | Binnenzeskantbout M4x10           | 1     |           |
| 17   | GU03658330  | Klemmetje                         | 1     |           |
| 18   | 895709      | Binnenzeskantbout M5x12           | 1     |           |
| 19   | AP8150451   | Zelfborg. moer laag               | 1     |           |
| 20   | GU03658201  | Ring                              | 1     |           |
| 21   | AP8121882   | Kabelgeleider                     | 1     |           |
| 22   | 2B000276    | Kram                              | 2     |           |
| 23   | 2B004471    |                                   | 1     |           |
| 24   | AP8152239   | Bout M5                           | 1     |           |
| 25   | AP8120001   | Rubbetje                          | 1     |           |
| 26   | AP8102386   | Klemmetje 155x2                   | 1     |           |
| 27   | AP8150500   | Bolbout met binnenzeskant M5x9    | 1     |           |
| 28   | 2B004458    |                                   | 1     |           |

|                     |                    |
|---------------------|--------------------|
| <b>Groep</b>        | Stuur - Commando's |
| <b>Code</b>         | 07.010             |
| <b>Beschrijving</b> | Stuur              |
| <b>Revisie</b>      | 1                  |



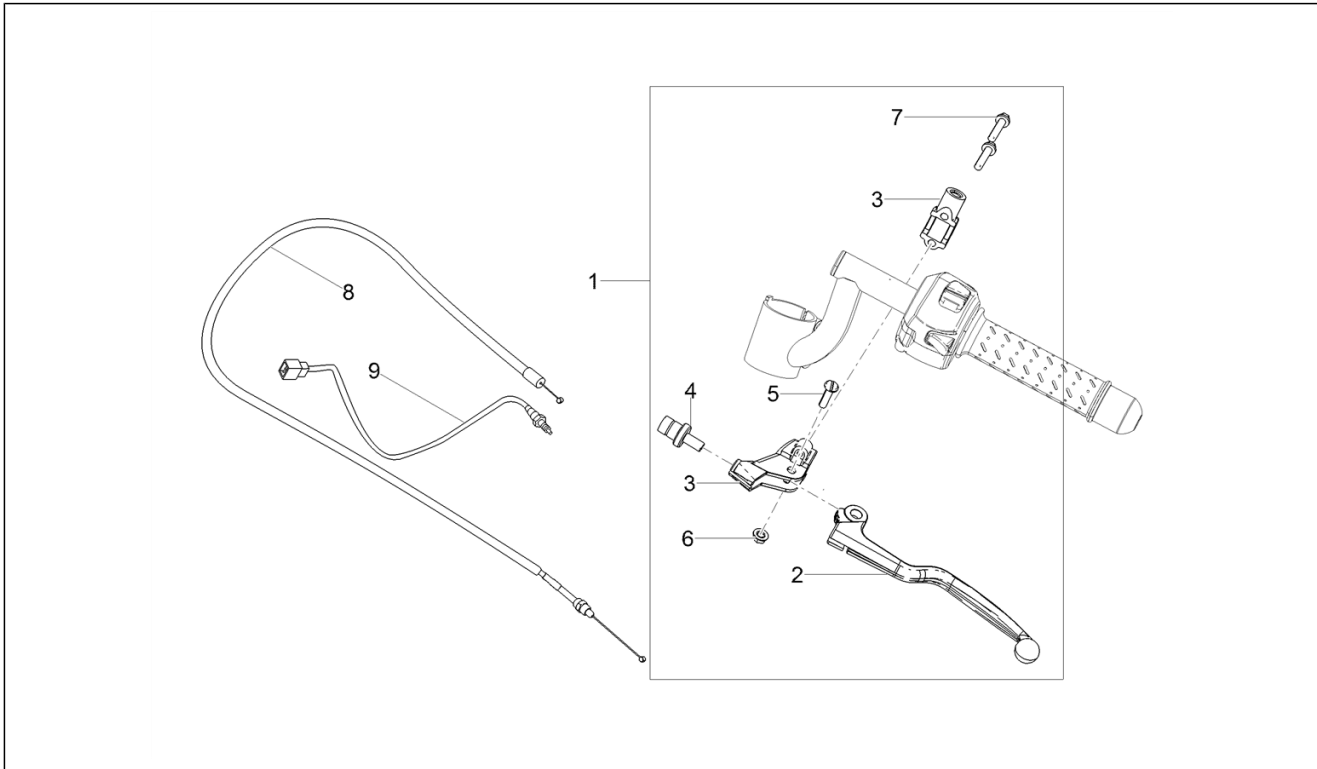
| Pos. | Code       | Beschrijving                   | Aant. | Varianten |
|------|------------|--------------------------------|-------|-----------|
| 1    | 2B003791   | Plaat onderaan vork            | 1     |           |
| 2    | AP8150543  | Bout tcc M8x35                 | 2     |           |
| 3    | 2B0039195  | Bovenste plaat van vork        | 1     |           |
| 4    | AP8121346  | Huls bevest. plaat bov.        | 1     |           |
| 5    | AP8152384  | Sluitring dop kop              | 1     |           |
| 6    | AP8123641  | Stofkeerring                   | 2     |           |
| 7    | AP8110077  | Kogellager axiaal              | 2     |           |
| 8    | AP8123644  | Stofkeerring                   | 1     |           |
| 9    | 887831     | Vulstuk rubber                 | 1     |           |
| 10   | AP8123642  | Moer                           | 1     |           |
| 11   | AP8123643  | Tegenmoer                      | 1     |           |
| 12   | 887832     | Veiligheidsplaatje stuur       | 1     |           |
| 13   | 2B002313   | Bout tcc M10x35                | 2     |           |
| 14   | 890760     | Steun connector                | 1     |           |
| 15   | 2B003292   | Plaatje                        | 1     |           |
| 16   | 319446     | Binnenzeskantbout M6x10        | 1     |           |
| 17   | 2B003833   | Kabelwartel                    | 1     |           |
| 18   | 2B004085   | ***PROTECTIVE PLATE FRONT FORK | 1     |           |
| 19   | 2B004084   | ***BUSH                        | 2     |           |
| 20   | GU98680350 | Binnenzeskantbout M6x50        | 2     |           |

|                     |                    |
|---------------------|--------------------|
| <b>Groep</b>        | Stuur - Commando's |
| <b>Code</b>         | 07.020             |
| <b>Beschrijving</b> | Stuur - Commando's |
| <b>Revisie</b>      | 1                  |



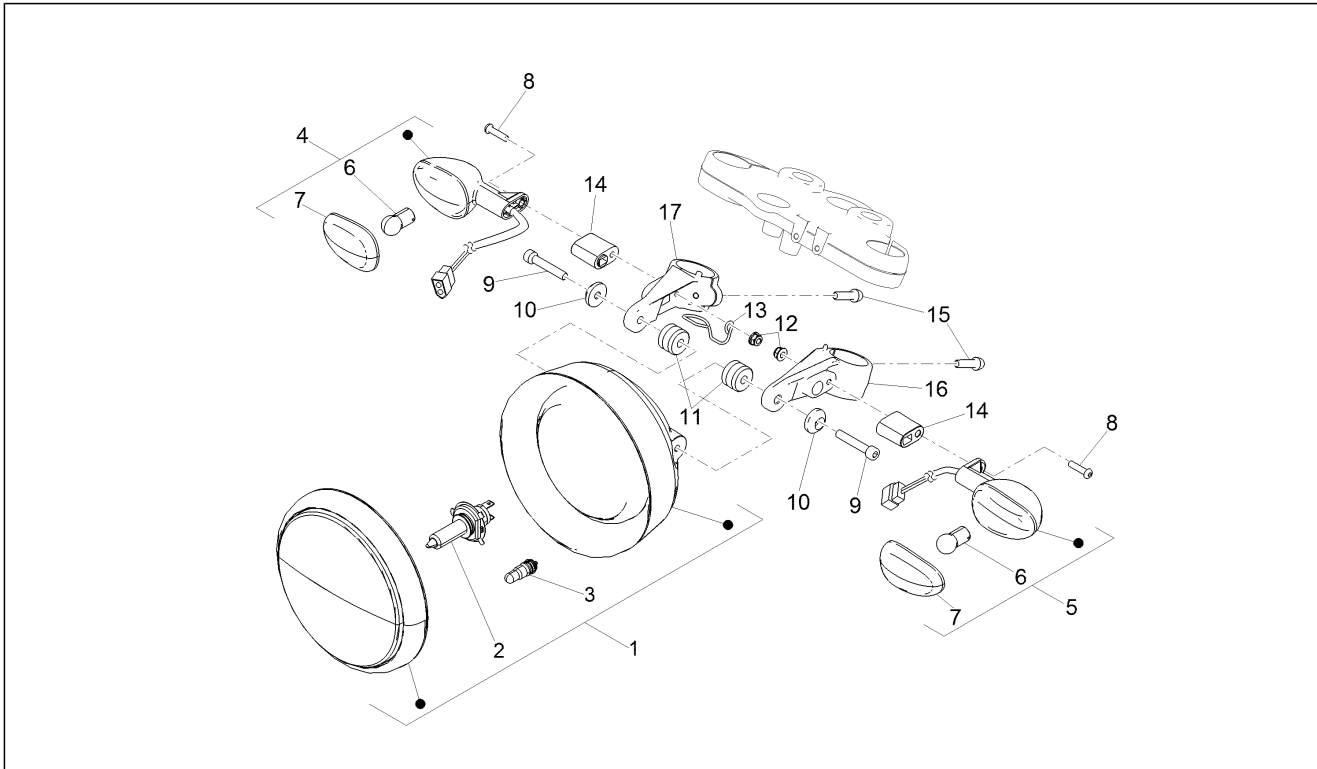
| Pos. | Code       | Beschrijving                                  | Aant. | Varianten |
|------|------------|---|-------|-----------|
| 1    | B063326    | Halfstuur re                                  | 2     |           |
| 2    | B063317    | Halfstuur li                                  | 2     |           |
| 3    | GU98692325 | Binnenzeskantbout M6x25                       | 4     |           |
| 4    | B063248    | Kabel sluiting gas                            | 2     |           |
| 5    | B063247    | Kabel opening gas                             | 1     |           |
| 6    | 2D000308   | Comando dx con Mode                           | 2     |           |
| 7    | GU32603310 | Handvat re                                    | 2     |           |
| 8    | AP8104509  | Antitrilgewicht v.zwart                       | 1     |           |
| 9    | 2B002195   | Pre-geïmpregneerde binnenzeskantbout IX M6X35 | 1     |           |
| 10   | 2D000307   |   | 1     |           |
| 11   | 2B003767   | Achteruitkijkspiegel li                       | 2     |           |
| 12   | 2B003766   | Achteruitkijkspiegel re                       | 2     |           |
| 13   | GU32603010 | Handvat li                                    | 1     |           |

|                     |                           |
|---------------------|---------------------------|
| <b>Groep</b>        | Stuur - Commando's        |
| <b>Code</b>         | 07.030                    |
| <b>Beschrijving</b> | Commando van de koppeling |
| <b>Revisie</b>      | 1                         |



| Pos. | Code       | Beschrijving                    | Aant. | Varianten |
|------|------------|---------------------------------|-------|-----------|
| 1    | 2B002391   | Groep commandohendel koppeling  | 1     |           |
| 2    | 2B002390   | Commandohendel van de koppeling | 1     |           |
| 3    | GU30601060 | Klem                            | 1     |           |
| 4    | GU30602500 | Register                        | 1     |           |
| 5    | AP8213028  | Bout                            | 1     |           |
| 6    | AP8213388  | Zelfborg.moer                   | 1     |           |
| 7    | GU97202325 | Zeskantbout gefl.zwart M6x25    | 2     |           |
| 8    | 2B003929   | Kabel koppeling                 | 1     |           |
| 9    | 2D0002885  | Schakelaar koppeling            | 1     |           |

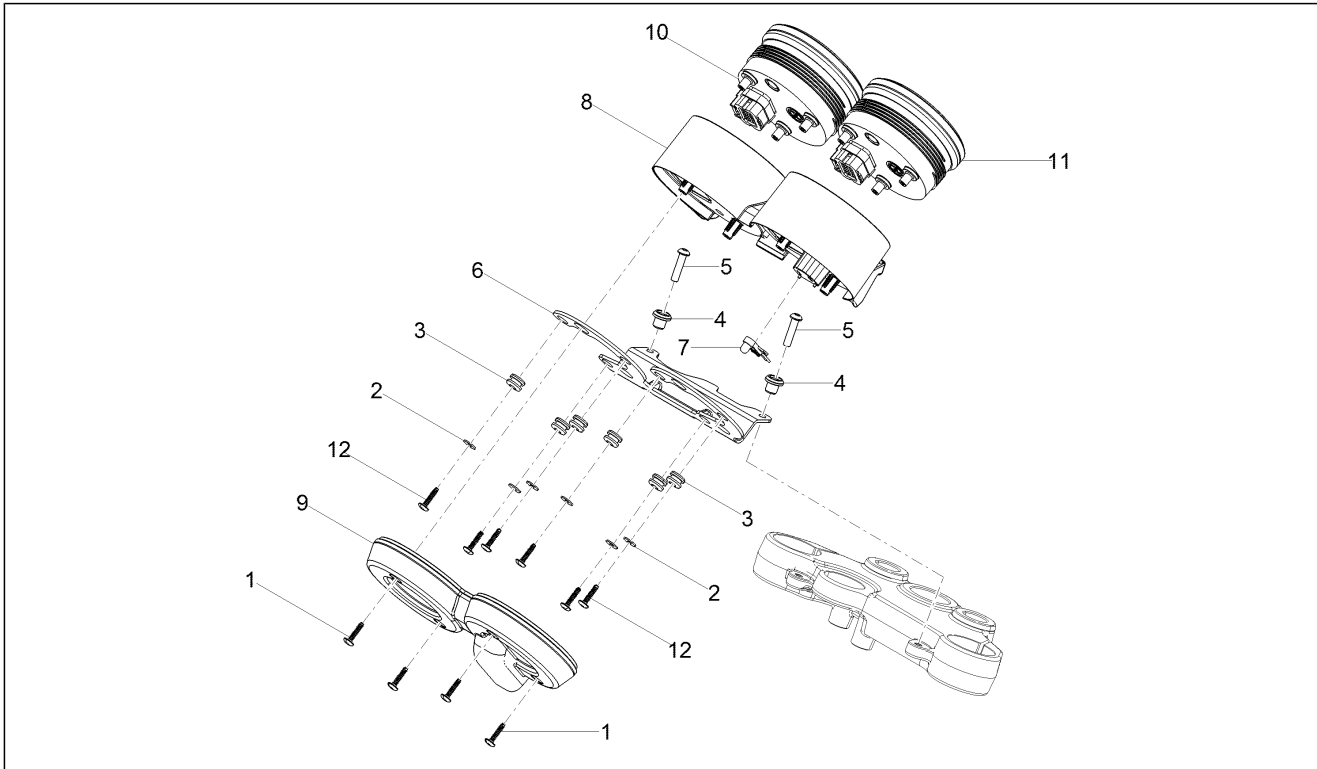
|                     |                                |
|---------------------|--------------------------------|
| <b>Groep</b>        | Voorverlichting - Instrumenten |
| <b>Code</b>         | 08.010                         |
| <b>Beschrijving</b> | Voorverlichting                |
| <b>Revisie</b>      | 1                              |



| Pos. | Code       | Beschrijving                  | Aant. | Varianten |
|------|------------|-------------------------------|-------|-----------|
| 1    | 2D000225   | Voorlicht                     | 1     |           |
| 2    | 292723     | Lamp H4 12V-60/55W            | 1     |           |
| 3    | 292022     | Lamp 12V-5W                   | 1     |           |
| 4    | 2D000261   | Richtingaanw. voor. re        | 1     |           |
| 5    | 2D000262   | Richtingaanw. voor. li        | 1     |           |
| 6    | 584332     | Lamp 12V-10W                  | 2     |           |
| 7    | 639338     | Glasje richtingaanwijzer      | 2     |           |
| 8    | GU98690435 | Binnenzeskantbout M8x35       | 2     |           |
| 9    | GU98690445 | Bout M8x45                    | 2     |           |
| 10   | AP8134378  | Huls bevestiging geluiddemper | 2     |           |
| 11   | 2B003342   | Afstandsbus voorlicht         | 2     |           |
| 12   | AP8152299  | Zelfborg.bout gefl. M6        | 2     |           |
| 13   | 2B003832   | Kabelwartel                   | 1     |           |
| 14   | GU32753410 | Afstandhouder                 | 2     |           |
| 15   | AP8150053  | Binnenzeskantbout M6x25       | 2     |           |
| 16   | 2B001231   | Houder links voorlicht        | 1     |           |
| 17   | 2B001182   | Houder rechts voorlicht       | 1     |           |

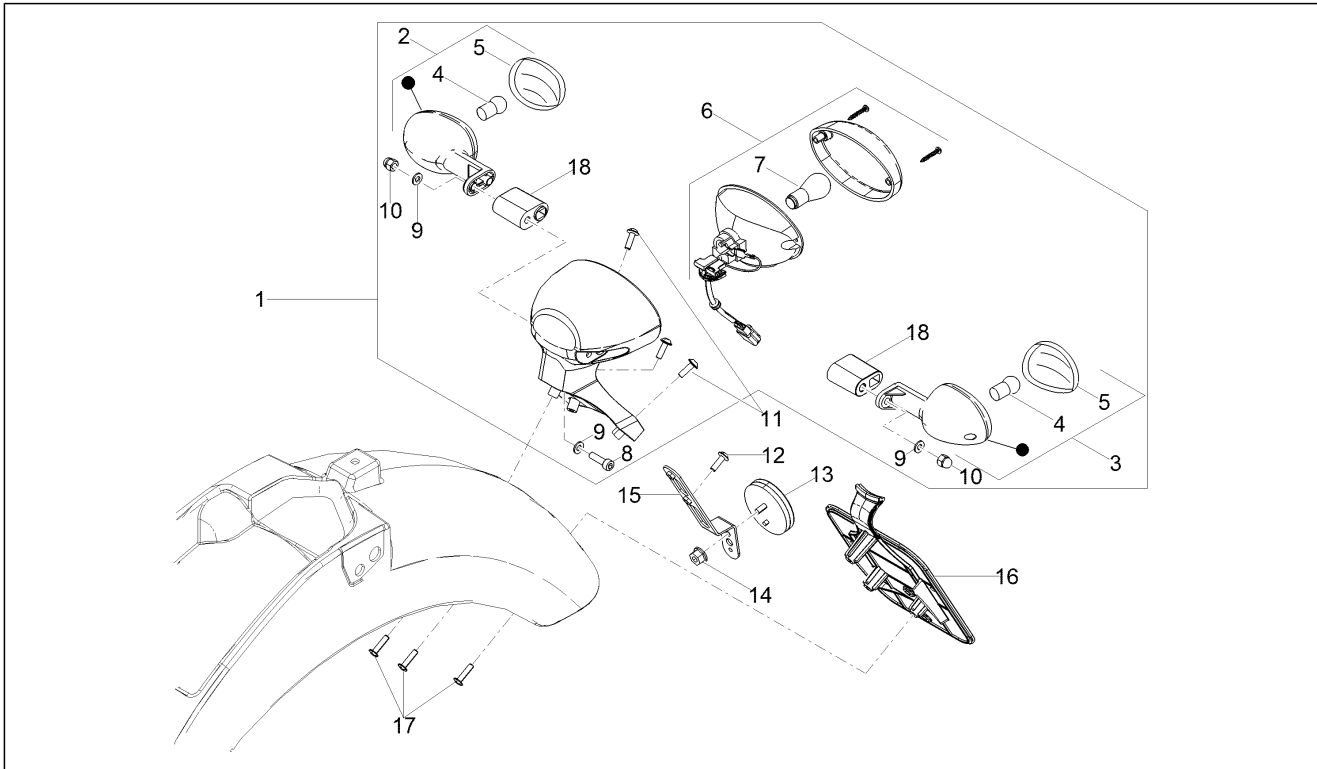


|                     |                                |
|---------------------|--------------------------------|
| <b>Groep</b>        | Voorverlichting - Instrumenten |
| <b>Code</b>         | 08.020                         |
| <b>Beschrijving</b> | Instrumenten                   |
| <b>Revisie</b>      | 1                              |



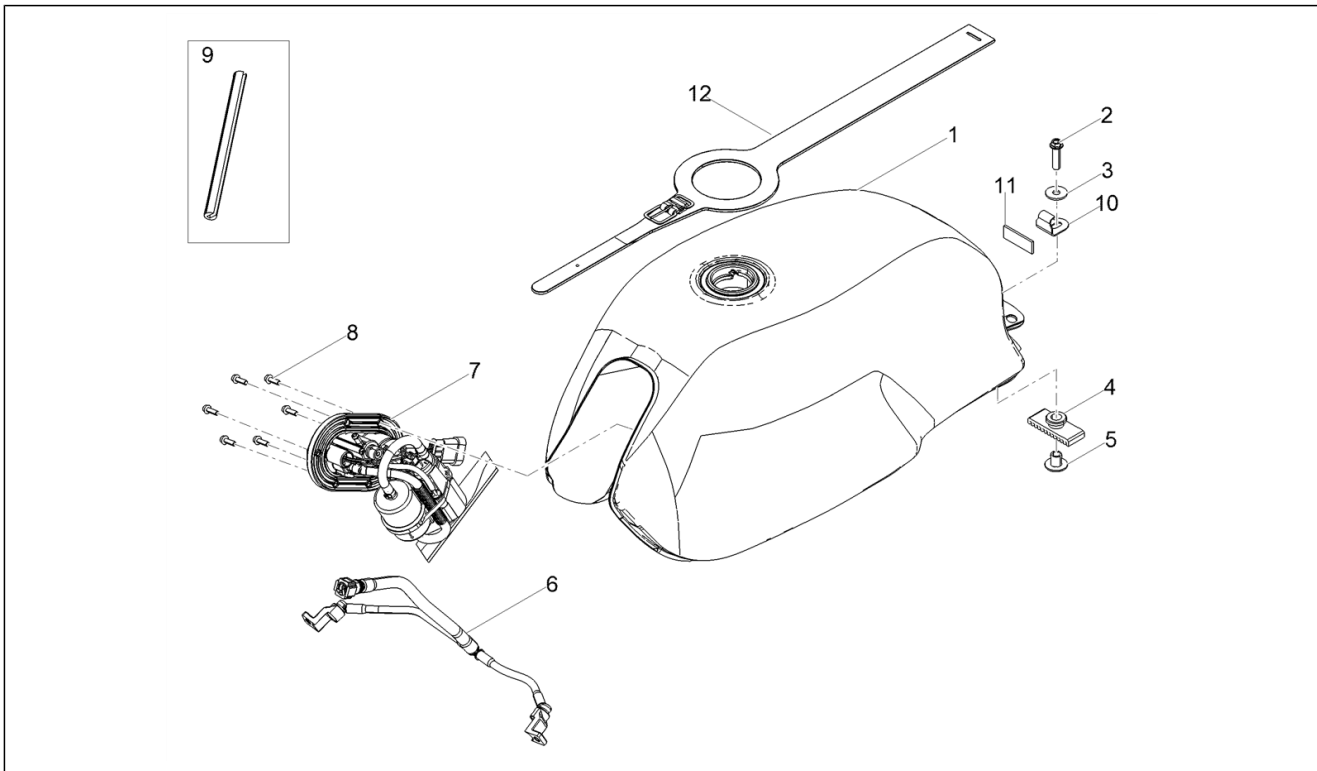
| Pos. | Code      | Beschrijving            | Aant. | Varianten |
|------|-----------|-------------------------|-------|-----------|
| 1    | CM178609  | Zelftap. bout           | 4     |           |
| 2    | 013763    | Vlakke rondel 4,2x12x1  | 6     |           |
| 3    | 2B003367  | Kabelwartel             | 6     |           |
| 4    | 2B003851  | 'T'-huls                | 2     |           |
| 5    | AP8152117 | Vite TBEI M6x25         | 2     |           |
| 6    | 2B004226  | Steunplaat              | 1     |           |
| 7    | AP8124936 | Sensor luchttemperatuur | 1     |           |
| 8    | 2B003631  | Cover superiore         | 1     |           |
| 9    | 2B003711  | Cover inferiore         | 1     |           |
| 10   | 2D000294  | Cruscotto con scala RPM | 1     |           |
| 11   | 2D000295  | Cruscotto km/h          | 1     |           |
| 12   | 270793    | Bolschroef              | 6     |           |

|                     |                                |
|---------------------|--------------------------------|
| <b>Groep</b>        | Voorverlichting - Instrumenten |
| <b>Code</b>         | 08.030                         |
| <b>Beschrijving</b> | Achterste verlichting          |
| <b>Revisie</b>      | 1                              |



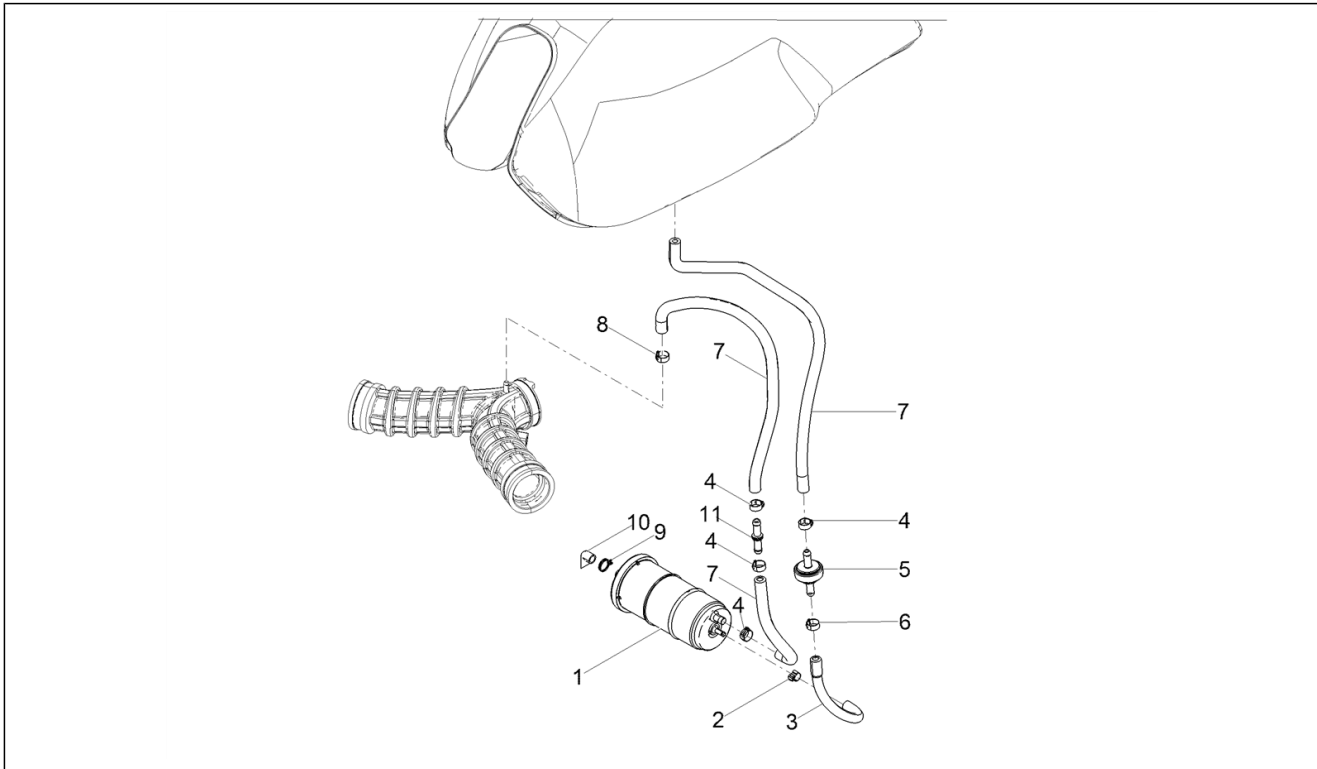
| Pos. | Code       | Beschrijving                              | Aant. | Varianten |
|------|------------|---|-------|-----------|
| 1    | 2D0002935  | Achterlicht                               | 1     |           |
| 2    | 2D000368   | Richtingaanwijzer acht. re                | 1     |           |
| 3    | 2D000369   | Richtingaanw. acht. li                    | 1     |           |
| 4    | 584332     | Lamp 12V-10W                              | 2     |           |
| 5    | 639338     | Glasje richtingaanwijzer                  | 2     |           |
| 6    | 2B001748   | Achterlicht                               | 1     |           |
| 7    | GU93450224 | Lamp                                      | 1     |           |
| 8    | GU98370655 | Bolbout met binnenzeskant                 | 2     |           |
| 9    | GU95005306 | Sluitring 6,4x13x1,5                      | 4     |           |
| 10   | GU92787006 | Moer blind M6x1                           | 2     |           |
| 11   | AP8152298  | Bolbout met binnenzeskant, geflenst M5x16 | 3     |           |
| 12   | AP8152268  | Speciale bolbout met binnenzeskant M5x16  | 2     |           |
| 13   | AP8224164  | Reflector rood                            | 1     |           |
| 14   | AP8152306  | Zelfborg.bout gefl. M5                    | 1     |           |
| 15   | AP8134448  | Houder reflector                          | 1     |           |
| 16   | 978949     | Nummerplaathouder                         | 1     |           |
| 17   | AP8152329  | Bout SWP kruiskop gefl. M5x20             | 3     |           |
| 18   | GU32753410 | Afstandhouder                             | 2     |           |

|                     |             |
|---------------------|-------------|
| <b>Groep</b>        | Tank        |
| <b>Code</b>         | 09.010      |
| <b>Beschrijving</b> | Benzinetank |
| <b>Revisie</b>      | 1           |



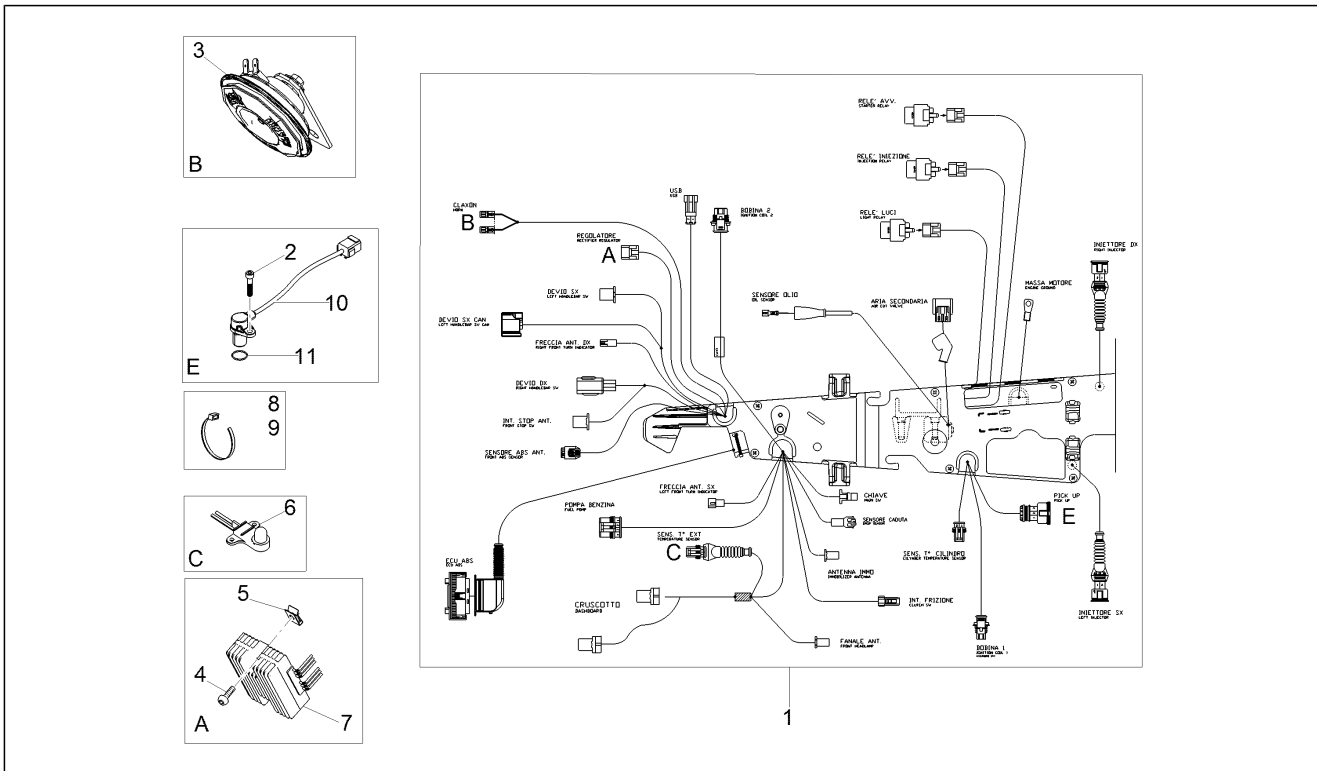
| Pos. | Code          | Beschrijving               | Aant. | Varianten                                      |
|------|---------------|----------------------------|-------|--|
| 1    | 2B003435      | Brandstoftank ruw          | 1     | <b>Technische specificatie:</b> Onbewerkt[GR]  |
| 1    | 2H0018415     |                            | 1     | <b>Technische specificatie:</b> Met decalco[D] |
| 2    | AP8152288     | Zeskantbout geflenst M8x30 | 1     |  |
| 3    | GU14615901    | Sluitring 8,4X13X0,8       | 1     |  |
| 4    | AP8120557     | Rubbertje tank             | 1     |  |
| 5    | AP8121332     | Huls                       | 1     |  |
| 6    | 2B002486      | Brandstoftoevoerleidingen  | 1     |  |
| 7    | 1D001450      | Brandstofpomp              | 1     |  |
| 8    | 2B002567      | Bout TEFL M5X16            | 6     |  |
| 9    | 2B000909      | Pakking                    | 1     |  |
| 9    | 2B000909      | Pakking                    | 1     |  |
| 10   | 2S000856      | Haak benzinetank           | 1     |  |
| 11   | CM017710      | Pakking                    | 1     |  |
| 12   | 2B003946000C1 |                            | 1     |  |

|                     |                                  |
|---------------------|----------------------------------|
| <b>Groep</b>        | Tank                             |
| <b>Code</b>         | 09.020                           |
| <b>Beschrijving</b> | Installatie recup. benzinedampen |
| <b>Revisie</b>      | 1                                |



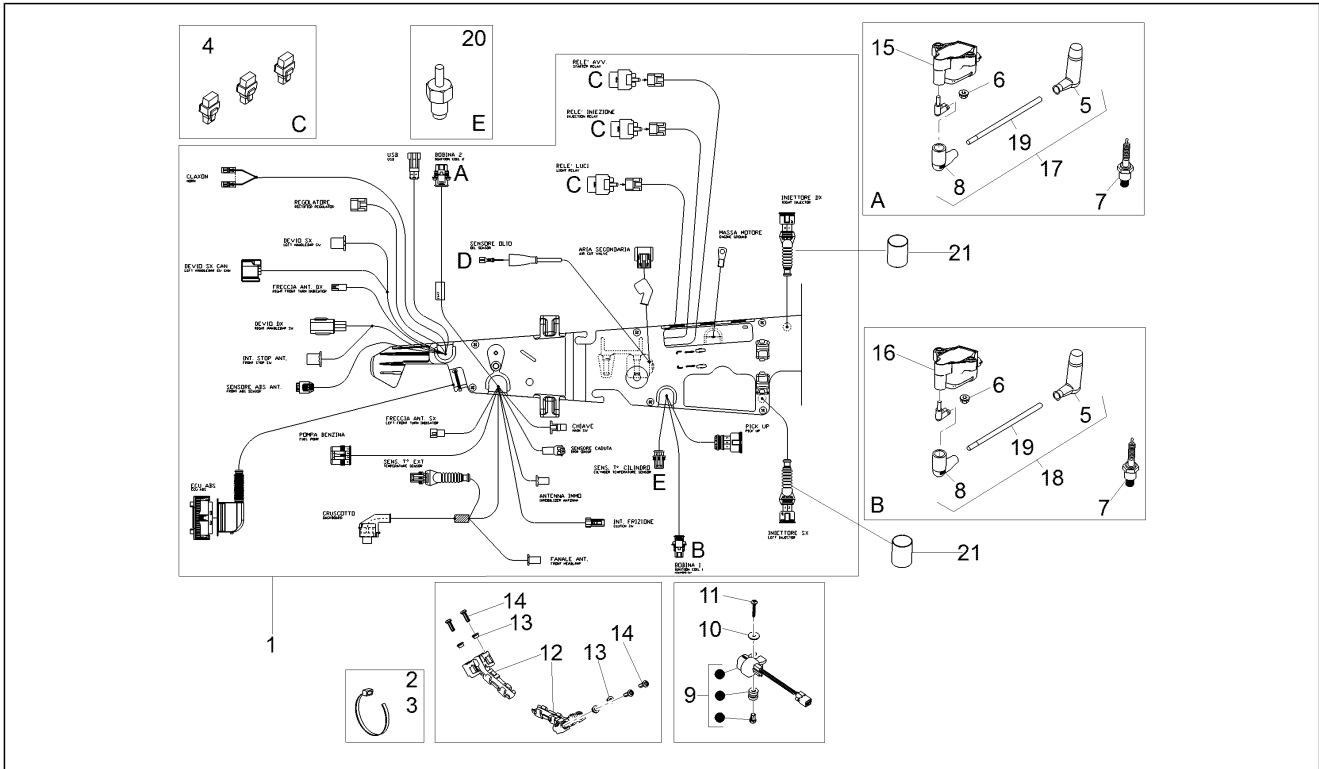
| Pos. | Code       | Beschrijving             | Aant. | Varianten |
|------|------------|--------------------------|-------|-----------|
| 1    | 2B002632   | Canister                 | 1     |           |
| 2    | AP8102738  | Klembandje buis          | 1     |           |
| 3    | 2B003042   | Leiding SAE 30 R12A-3/16 | 1     |           |
| 4    | AP8102239  | Klemmetje 12,5x8         | 4     |           |
| 5    | CM179008   | Veiligheidsklep          | 1     |           |
| 6    | AP8102159  | Klemmetje                | 1     |           |
| 7    | 856063     | Buis SAE 30 d.12,7x6,35  | 2     |           |
| 8    | GU93304360 | Klemmetje 7,6x380        | 1     |           |
| 9    | AP8102520  | Klembandje buis          | 1     |           |
| 10   | AP8127601  | Pipet ventilatie         | 1     |           |
| 11   | 2B000219   | Verbinding               | 1     |           |

|                     |                     |
|---------------------|---------------------|
| <b>Groep</b>        | Elektr. mechanismen |
| <b>Code</b>         | 11.010              |
| <b>Beschrijving</b> | Elektr. inst. voor. |
| <b>Revisie</b>      | 1                   |



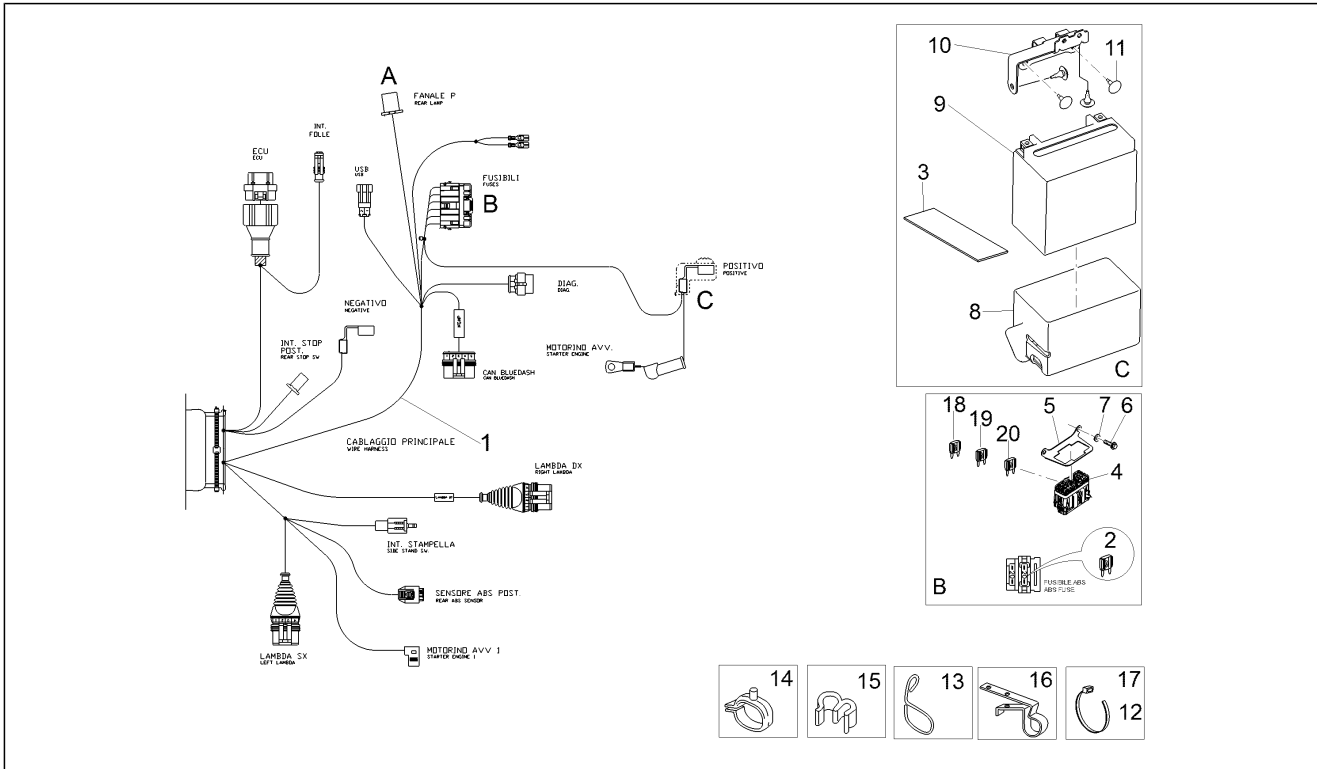
| Pos. | Code       | Beschrijving                      | Aant. | Varianten |
|------|------------|-----------------------------------|-------|-----------|
| 1    | 2D000334   | Hoofdzakelijke bekabeling         | 1     |           |
| 2    | GU98682314 | Binnenzeskantbout M6x14           | 1     |           |
| 3    | 2B000221   | Claxon                            | 1     |           |
| 4    | 1C001499   | Binnenzeskantbout TORX M5x16 INOX | 1     |           |
| 5    | 248419     | Spring plate M5                   | 1     |           |
| 6    | AP8124936  | Sensor luchttemperatuur           | 1     |           |
| 7    | 1D001549   | Spanningsregelaar                 | 1     |           |
| 8    | GU93304390 | Klemmetje 3,6x375                 | 2     |           |
| 9    | GU14609650 | Klemmetje 3,6x20,6                | 24    |           |
| 10   | 832029     | Snelheidsensor                    | 1     |           |
| 11   | GU90706141 | OR-ring                           | 1     |           |

|                     |                     |
|---------------------|---------------------|
| <b>Groep</b>        | Elektr. mechanismen |
| <b>Code</b>         | 11.020              |
| <b>Beschrijving</b> | Elektr. inst. cent. |
| <b>Revisie</b>      | 1                   |



| Pos. | Code       | Beschrijving                | Aant. | Varianten |
|------|------------|-----------------------------|-------|-----------|
| 1    | 2D000334   | Hoofdzakelijke bekabeling   | 1     |           |
| 2    | GU49609601 | Klemmetje 2,4x92            | 1     |           |
| 3    | GU14609650 | Klemmetje 3,6x20,6          | 24    |           |
| 4    | AP8224462  | Relais 12V-30A              | 3     |           |
| 5    | 1A005382   | Blind kapje                 | 2     |           |
| 6    | AP8152299  | Zelfborg.bout gefl. M6      | 4     |           |
| 7    | 887481     | Bougie NGK CPR8EB-9         | 2     |           |
| 8    | 641040     | Isolerend kapje             | 2     |           |
| 9    | 680212     | Antikantelsensor            | 1     |           |
| 10   | GU95005304 | Sluitring 5,2x18x1,5        | 1     |           |
| 11   | 478533     | Zelftap. bout               | 1     |           |
| 12   | 2B002901   | Houder bougiekabel          | 2     |           |
| 13   | 2B003052   | 'T'-huls                    | 4     |           |
| 14   | 1A003444   | Bolkopschroef               | 4     |           |
| 15   | 641901     | H.S. bobine                 | 1     |           |
| 16   | 642034     | H.S. bobine DX              | 1     |           |
| 17   | CM277101   | H.S. kabel (450 mm)         | 1     |           |
| 18   | CM277102   | H.S. kabel (580 mm)         | 1     |           |
| 19   | 080341     | H.S. kabel basis            | 1     |           |
| 20   | 887421     | Temperatuursensor           | 1     |           |
| 21   | 2D000355   | Cappuccio termorestringente | 1     |           |

|                     |                     |
|---------------------|---------------------|
| <b>Groep</b>        | Elektr. mechanismen |
| <b>Code</b>         | 11.030              |
| <b>Beschrijving</b> | Elektr. inst. acht. |
| <b>Revisie</b>      | 1                   |



| Pos. | Code       | Beschrijving                              | Aant. | Varianten |
|------|------------|---|-------|-----------|
| 1    | 2D000334   | Hoofdzakelijke bekabeling                 | 1     |           |
| 2    | CM225720   | Zekering 20A                              | 2     |           |
| 3    | AP8144552  | Steunrubbertje accu zijd.                 | 1     |           |
| 4    | 584211     | Zekeringendoos                            | 1     |           |
| 5    | 883161     | Steun zek.houder                          | 1     |           |
| 6    | CM179302   | Metrische bout TBC                        | 2     |           |
| 7    | GU95100059 | Sluitring 5,25x14x1,5                     | 2     |           |
| 8    | 2B002781   | Accukap                                   | 1     |           |
| 9    | 638733     | Accu Yuasa YTX14-BS 12V-12Ah (150x87x145) | 1     |           |
| 10   | GU06418600 | Bevestigingsplaat accu                    | 1     |           |
| 11   | AP8120001  | Rubbertje                                 | 4     |           |
| 12   | GU93304390 | Klemmetje 3,6x375                         | 2     |           |
| 13   | AP8181140  | Kabelwartel                               | 1     |           |
| 14   | CM013202   | Trekveertje leidingen/kabels              | 1     |           |
| 15   | 894704     | Kabelwartel                               | 9     |           |
| 16   | B043850    | Klemmetje                                 | 1     |           |
| 17   | GU14609650 | Klemmetje 3,6x20,6                        | 24    |           |
| 18   | CM225705   | Zekering 5A                               | 2     |           |
| 19   | CM225715   | Zekering 15A                              | 3     |           |
| 20   | CM225730   | Zekering 30A                              | 1     |           |